



255 Series II

(Parts Manual)

**Sweeper/
Scrubber**



This manual is furnished with each new TENNANT® (Model 255 Series II). It provides necessary operating and preventive maintenance instructions. Read this manual completely and understand the machine before operating or servicing it.

This manual covers all machine variations and standard accessories. The tabbed instruction portion of the manual consists of the Specification, Operation, Maintenance, and Appendix sections. The tabbed parts section consists of the (Low Dump Model Parts, Multi-Level Dump Model Parts, Accessories, Hydraulic Components, and Engine Parts sections). The tabbed Cross Reference section identifies the page numbers on which each of the part numbers listed in the manual can be found.

All right side and left side references to the machine are determined by facing the direction of forward travel. All hardware considered to be of a common nature or locally available has been omitted from the parts sections. Be aware that this machine may contain metric hardware. Make sure you use equivalent hardware when replacement becomes necessary.

This machine will provide excellent service. However, the best results will be obtained at minimum costs if:

- The machine is operated with reasonable care.
- The machine is maintained regularly – per the maintenance instructions provided.
- The machine is maintained with Tennant Company supplied or equivalent parts.

Parts and supplies may be ordered by phone or mail from any Tennant Company parts and service center, distributor, or from any of the Tennant Company subsidiaries. Before ordering parts or supplies, be sure to have your machine model number and serial number handy. Fill out the data block below for future reference. The telephone numbers, telex numbers, mailing addresses, and locations of those outlets are listed in the Customer Documents section of the manual.

MACHINE DATA	
<i>Please fill out at time of installation.</i>	
Machine Serial Number –	_____
Engine Serial Number –	_____
Sales Representative –	_____
Date of Installation –	_____
Manual Number –	MM189
Revision:	06
Published:	6–90
04631	

Trademark Registered in: Austria, Benelux, Denmark, England, France, Germany, Italy, Spain, Switzerland, United States, Argentina, Australia, Canada, Japan, Mexico, Sweden, by TENNANT COMPANY, Minneapolis, Minnesota, U.S.A.

Acknowledgements: Technical information and/or illustrations supplied by Ford Motor Company; Cessna Fluid Power Division; Eaton Corporation, Hydraulics Division.

Copyright 1987, 1988, 1989, 1990 Tennant Company, Printed in U.S.A.

SECTION 5

CONTENTS

	Page		Page
ORDERING REPAIR PARTS	5-3	Fig. 36 – Carburetor Group, Distributorless (DIS) LPG	5-60
Fig. 1 – Recommended General Maintenance Items	5-4	Fig. 37 – Engine Fan and Alternator Group, Distributorless (DIS)	5-62
Fig. 2 – Replacement Brushes	5-6	Fig. 38 – Air Cleaner Group	5-63
Fig. 3 – Main Frame Group	5-8	Fig. 39 – Air Cleaner Group, Distributorless (DIS)	5-64
Fig. 4 – Seat and Radiator Group	5-10	Fig. 40 – Directional Control Group	5-65
Fig. 5 – Seat Group, Distributorless (DIS) ...	5-12	Fig. 41 – Directional Control Group, Distributorless (DIS)	5-66
Fig. 6 – Radiator Group, Distributorless (DIS)	5-14	Fig. 42 – Flywheel Housing Group	5-68
Fig. 7 – Engine Cover and Side Door Group .	5-16	Fig. 43 – Flywheel Housing Group, Distributorless (DIS)	5-70
Fig. 8 – Hopper Group	5-18	Fig. 44 – Throttle Linkage Group	5-71
Fig. 9 – Hopper Cover and Filter Group	5-20	Fig. 45 – Muffler Group	5-72
Fig. 10 – Hopper Lift Arms Group	5-22	Fig. 46 – Muffler Group, Distributorless (DIS) .	5-73
Fig. 11 – Side Brush Group	5-24	Fig. 47 – Fuel Tank Group	5-74
Fig. 12 – Front Wheel and Brakes Group	5-26	Fig. 48 – Labels Group	5-75
Fig. 13 – Steering Control Group	5-28		
Fig. 14 – Rear Wheel Drive Group	5-30		
Fig. 15 – Main Brush Drive Group	5-32		
Fig. 16 – Main Brush Lift Group	5-33		
Fig. 17 – Access and Kick Panels Group	5-34		
Fig. 18 – Vacuum Fan Group	5-35		
Fig. 19 – Instrument and Control Panels Group	5-36		
Fig. 20 – Battery Group	5-37		
Fig. 21 – Wire Harnesses Group	5-38		
Fig. 22 – Hydraulic Hoses Group	5-40		
Fig. 23 – Hydraulic Pumps Group	5-42		
Fig. 24 – Hydraulic Reservoir Group	5-43		
Fig. 25 – Hydraulic Control Valve Group	5-44		
Fig. 26 – Hydraulic Solenoid Valve Group	5-45		
Fig. 27 – Hydraulic Filter Group	5-46		
Fig. 28 – Hydraulic Couplings Group	5-47		
Fig. 29 – Engine Group	5-48		
Fig. 30 – Engine Group, Distributorless (DIS)	5-50		
Fig. 31 – Carburetor Group, Distributorless (DIS)	5-52		
Fig. 32 – Fuel Tank Bumper Group, LPG	5-54		
Fig. 33 – Fuel Tank Bumper Group, Distributorless (DIS) LPG	5-56		
Fig. 34 – Sheaves and Belts Group	5-58		
Fig. 35 – Carburetor Group, LPG	5-59		

NOTE: SECTION 5, STANDARD MODEL PARTS, lists repair parts for a standard model, gasoline powered machine. This section also contains parts common to all models of the machine.

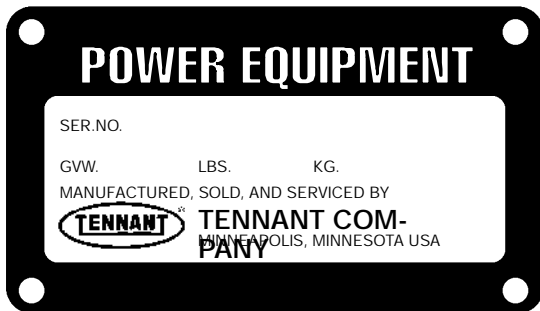
ORDERING REPAIR PARTS

The components used in this machine have been carefully selected for performance and safety. Use only Tennant Company specified or equivalent parts.

To receive prompt service in filling of your parts orders, please direct all orders for parts with Tennant Company part numbers to the Tennant Company, and all orders for parts with vendor part numbers to the local supplier of the respective vendor.

When ordering parts, please furnish all of the following information:

1. Machine model number - shown on the machine data plate.



2. Machine serial number - shown on the machine data plate.
3. Power source - gasoline, LPG, diesel, electric.
4. Company name.
5. Shipping address.
6. Billing address.
7. Name, first and last - of person ordering parts.
8. Telephone number.
9. Purchase order number.
10. Part number, description, and quantity - of each item on the order.

Do not order parts by key number or the figure number of the illustrated parts. Indented items indicate parts of assemblies. Standard hardware is furnished only when part of a purchased assembly. Please get hardware from a local hardware supplier.

If the old part cannot be identified, send it to us with the quantity needed specified on the order.

Any claim for loss or damage to a shipment in transit should be filed promptly against the transportation company making the delivery. Shipments will be complete unless the packing list or order acknowledgement indicate items back ordered.

If parts received are suspected to be incorrect or defective, please write, wire, or phone the Tennant Company representative from whom you ordered the part. They will give authorization for return and/or handle replacement shipments when required.

SERIAL NUMBER INFORMATION EXPLANATION

Serial number listings are shown to indicate on which machines each part can be used. These listings are explained by the following examples:

(000000–) The part can be used on all machines.

(003342–) The part can be used on all machines beginning with the serial number listed.

(000000–004320) The part can be used on all machines up to and including serial number listed.

(004321–005678) The part can be used on all machines between and including the serial numbers listed.

Where xxxxxx's are listed in place of a serial number, it indicates a change was made but the exact serial number had not been established when the catalog went to press.

SI UNITS OF MEASURE (INTERNATIONAL SYSTEM)

Metric equivalents have been included, where applicable, throughout this parts catalog.

FASTENER STRENGTH IDENTIFICATION

Fasteners required to have high–strength qualities equivalent to SAE Grade 8 are identified throughout this catalog by the description GR 8. Unless identified by this description, all standard fasteners are SAE Grade 5.

(Specifications and design subject to change without notice.)

Fig. 1 -- Recommended General Maintenance Items

Key	TENNANT Part No.	Machine Serial Number	Description	Qty.
	07682	(000001-037999)	Maintenance Kit, 400 Hours, Gasoline	1
	07764	(000001-037999)	Spark Plug	4
	82525	(000001-037999)	Filter, Fuel	1
	82697	(000001-037999)	Rotor, Overspeed Protection	1
	58507	(000001-037999)	Cap, Distributor	1
	07705	(000001-037999)	Gasket, Cover	1
	38245	(000001-037999)	Valve, PCV	1
	07328	(000001-037999)	Filter, Distributor Cap	1
	58120	(000001-037999)	Element, Air Filter	1
	58122	(000001-037999)	Filter, Oil	8
	32397-1	(000001-037999)	Hydraulic Oil, HP1040, 1 Gal	6
	55740	(000001-037999)	Element, Filter	1
	07683	(000001-037999)	Maintenance Kit, 400 Hours, LPG	1
	SK1444	(000001-037999)	Repair Kit, Fuel Filter Lock	1
	07764	(000001-037999)	Spark Plug	4
	82697	(000001-037999)	Rotor, Overspeed Protection	1
	58507	(000001-037999)	Cap, Distributor	1
	07705	(000001-037999)	Gasket, Cover	1
	38245	(000001-037999)	Valve, PCV	1
	58120	(000001-037999)	Element, Air Filter	1
	58122	(000001-037999)	Filter, Oil	8
	32397-1	(000001-037999)	Hydraulic Oil, HP1040, 1 Gal	6
	55740	(000001-037999)	Element, Filter	1
	07328	(000001-037999)	Filter, Distributor Cap	1
	31745	(038000-)	Performance Package 400 Hour, Gasoline	1
	39046	(038000-)	Spark Plug	4
	07705	(038000-)	Gasket	1
	58120	(038000-)	Element, Air Filter	1
	19205	(038000-)	Element, Engine Oil	8
	82525	(038000-)	Filter, Fuel	1
	32397-1	(038000-)	Hydraulic Fluid, HP1040, 1 gal	6
	55740	(038000-)	Element, Hydraulic Fluid Filter	1
	31746	(038000-)	Performance Package 400 Hour, LPG	1
	SK1444	(038000-)	Repair Kit, Fuel Filter Lock	1
	39046	(038000-)	Spark Plug	4
	07705	(038000-)	Gasket	1
	58120	(038000-)	Element, Air Filter	1
	19205	(038000-)	Element, Engine Oil	8
	32397-1	(038000-)	Hydraulic Fluid, HP1040, 1 gal	6
	55740	(038000-)	Element, Hydraulic Fluid Filter	1
	82058	(000001-)	Maintenance Kit, Skirts, Low Dump	1
	23275	(000001-)	Skirt, Shroud, L.H. and R.H.	2
	45857	(000001-)	Strip, Skirt Retainer	2
	53298	(000001-)	Skirt	1
	82163	(000001-)	Angle, Mounting Skirt	1
	82164	(000001-)	Skirt	1
	82165	(000001-)	Strip	1
	02485	(000001-)	Nut, Speed Retainer	7
	23382	(000001-)	Seal, Side Pan	2
	23384-2	(000001-)	Strip	2
	23386	(000001-)	Seal, Top Pan	1
	50446	(000001-)	Retainer, Hopper Top Seal	1
	82799	(000001-)	Seal, Brush Wrap Dust	1

LOW DUMP MODEL PARTS

Key	TENNANT Part No.	Machine Serial Number	Description	Qty.
	53489	(000001-)	Strip	2
	48060	(000001-)	Lip, Rubber	5
	46080	(000001-)	Angle, Backing, Rubber Lip	1
	82059	(000001-)	Maintenance Kit, Seals, Low Dump	1
	82125	(000001-)	Seal, Foam Rubber	2
	53906	(000001-)	Seal, Brush Wrap	3
	47037	(000001-)	Adhesive, 5 oz (150 ml) Tube	2
	53974	(000001-)	Seal, Foam Rubber	2
	53052	(000001-)	Seal, Foam Rubber	2
	53461-1	(000001-)	Seal, Foam Rubber	2
	53461-2	(000001-)	Seal, Foam Rubber	2
	82415	(000001-)	Seal, Hopper Cover	2
	82416	(000001-)	Seal, Hopper Cover	2
	82741	(000001-)	Label Set, Striping	1
	82466	(000001-)	Seal, Hopper Outer	1
	82424	(000001-)	Seal, Vacuum Fan Muffler	1
	82048	(000001-)	Maintenance Kit, Skirts, High Dump	1
	23275	(000001-)	Skirt, Shroud, L.H. and R.H.	2
	45857	(000001-)	Strip, Skirt Retainer	2
	53298	(000001-)	Skirt	1
	82163	(000001-)	Angle, Mounting Skirt	1
	82164	(000001-)	Skirt	1
	82165	(000001-)	Strip	1
	02485	(000001-)	Nut, Speed Retainer	7
	23382	(000001-)	Seal, Side Pan	2
	23384-2	(000001-)	Strip	2
	23386	(000001-)	Seal, Top Pan	1
	50446	(000001-)	Retainer, Hopper Top Seal	1
	82799	(000001-)	Seal, Brush Wrap Dust	1
	53489	(000001-)	Strip	2
	35607	(000001-)	Lip Assembly	5
	53758	(000001-)	Strip	1
	37021	(000001-)	Lip, Side	2
	82049	(000001-)	Maintenance Kit, Seals, High Dump	1
	82125	(000001-)	Seal, Foam Rubber	2
	53906	(000001-)	Seal, Brush Wrap	3
	47037	(000001-)	Adhesive, 5 oz (150 ml) Tube	2
	53974	(000001-)	Seal, Foam Rubber	2
	53052	(000001-)	Seal, Foam Rubber	2
	54338-6	(000001-)	Seal, Foam Rubber	2
	37054	(000001-)	Seal, Foam Rubber	2
	37055	(000001-)	Seal, Foam Rubber	2
	82415	(000001-)	Seal, Hopper Cover	2
	82416	(000001-)	Seal, Hopper Cover	2
	82424	(000001-)	Seal, Vacuum Fan Muffler	1
	82425	(000001-)	Seal, Vacuum Fan Inlet	1
	07640	(000001-)	Performance Package Squeegee Blades	1
	11957	(000001-)	Squeegee Back-up, Rear	1
	07051	(000001-)	Blade, Squeegee, Rear	1
	11952	(000001-)	Blade, Squeegee, Front	1
	11956	(000001-)	Squeegee Back-up, Front	1
	60013	(000001-)	Squeegee, Side	1

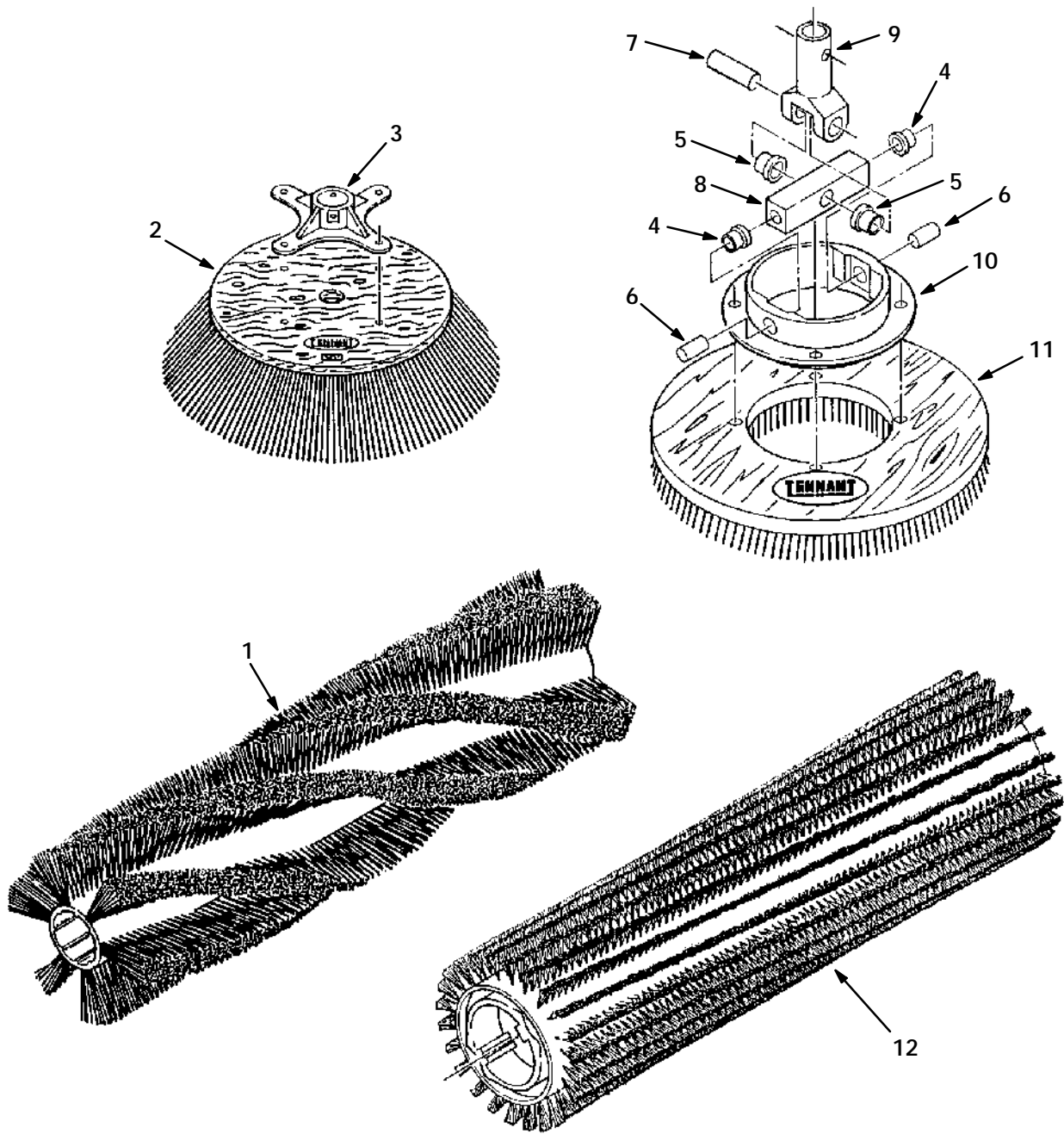


Fig. 2 -- Replacement Brushes

Fig. 2 -- Replacement Brushes

Key	TENNANT® Part No.	Machine Serial Number	Description	Qty.
1	11860	(000001-)	Brush, Sweep, 8 Row Nylon	1
1	11861	(000001-)	Brush, Sweep, 8 Row Polypropylene and Wire	1
1	11862	(000001-)	Brush, Sweep, 8 Row Wire	1
1	11863	(000001-)	Brush, Sweep, 24 Row Nylon	1
1	11864	(000001-)	Brush, Sweep, 24 Row Fiber and Wire	1
1	24741	(000001-)	Brush, Snow, 8 Row Polypropylene	1
	43708P	(000001-)	Brush Assembly, Side Sweep, Polypropylene	1
2	09600P	(000001-)	Brush, Side Sweep, Polypropylene	1
3	47501	(000001-)	Hub, Brush Adaptor	1
	43708N	(000001-)	Brush Assembly, Side Sweep, Nylon	1
2	09600N	(000001-)	Brush, Side Sweep, Nylon	1
3	47501	(000001-)	Hub, Brush Adaptor	1
	43708K	(000001-)	Brush Assembly, Side Sweep, Flat Wire	1
2	10712K	(000001-)	Brush, Side Sweep, Flat Wire	1
3	47501	(000001-)	Hub, Brush Adaptor	1
	08017	(000001-)	Brush Assembly, Side Sweep, Nylon	1
2	08013N	(000001-)	Brush, Side Sweep, Nylon	1
3	47501	(000001-)	Hub, Brush Adaptor	1
	02663	(000001-)	U-Joint Assembly, Side Brush Drive	1
4	29585	(000001-)	Bushing, Flange	2
5	43484	(000001-)	Bushing, Flange	2
6	43485	(000001-)	Pin, Dowel	2
7	43486	(000001-)	Pin, Dowel	1
8	43487	(000001-)	Bar, Drive	1
9	43488	(000001-)	Fork, Drive	1
10	43489	(000001-)	Ring	1
11	43148	(000001-)	Brush, Side Scrub, Polypropylene	1
11	43417	(000001-)	Brush, Side Scrub, Stainless Steel	1
11	43593	(000001-)	Brush, Side Scrub, Polypropylene	1
12	43393	(000001-)	Roll, Abrasive	1
12	43424	(000001-)	Brush, Scrub, 24 Row Polypropylene	1
12	43428	(000001-)	Brush, Scrub, 20 Row Stainless Steel	1
12	43592	(000001-)	Brush, Scrub, 24 Row Polypropylene	1
12	43680	(000001-)	Brush, Scrub, 24 Row Polypropylene	1

12876Brush Kit, Flange Repair1

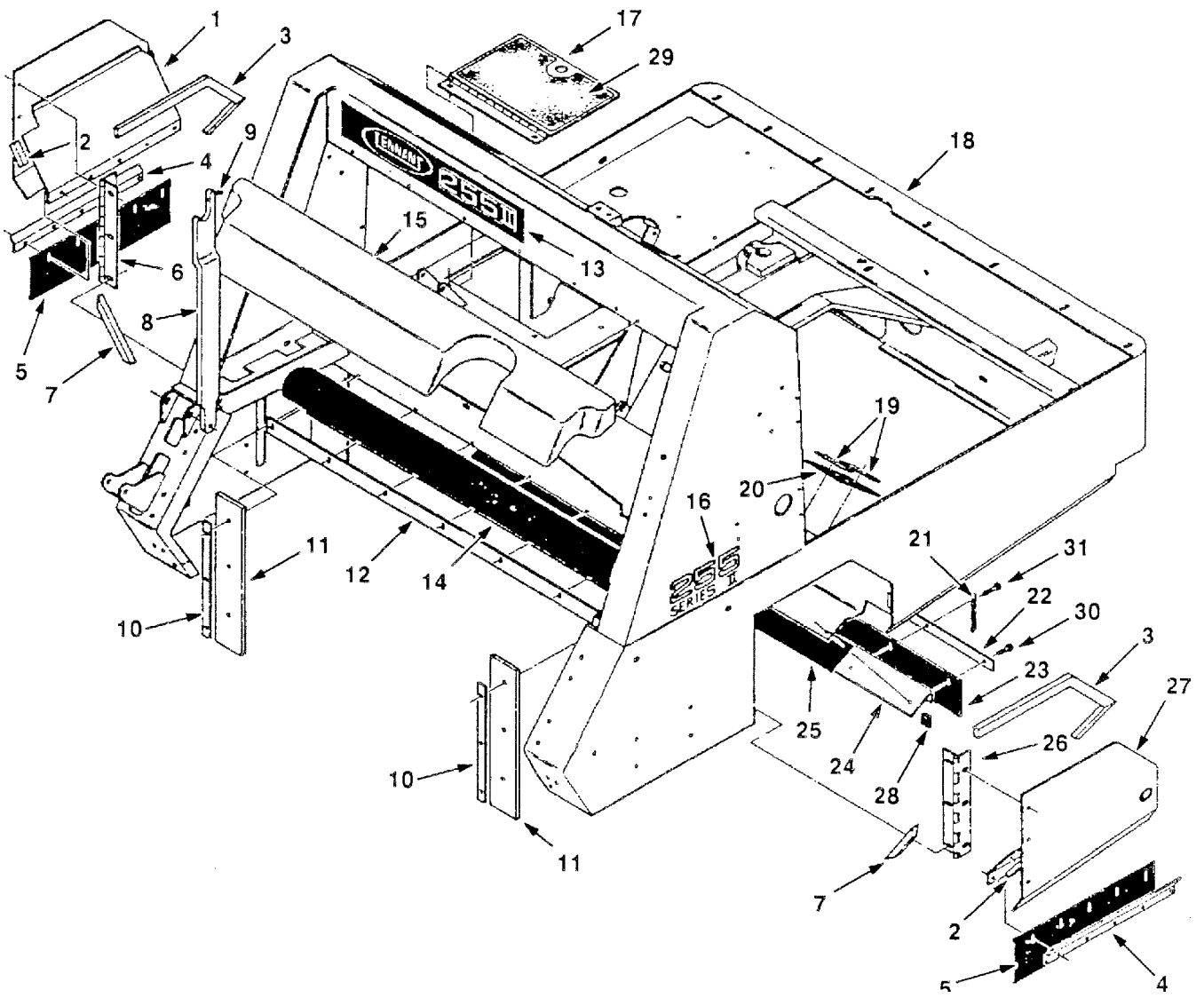


Fig. 3 – Main Frame Group

Fig. 3 -- Main Frame Group

Key	TENNANT® Part No.	Machine Serial Number	Description	Qty.
1	33762	(000001-)	Door, Brush, R.H.	1
2	82125	(000001-)	Seal, Foam Rubber	2
3	53052	(000001-)	Seal, Foam Rubber	2
4	45857	(000001-)	Strip, Skirt Retainer	2
5	23275	(000001-)	Skirt, Shroud	2
6	32885	(000001-)	Hinge, Door, R.H.	1
7	53974	(000001-)	Seal, Foam Rubber	2
8	82190	(000001-)	Arm, Safety	1
9	16786	(000001-)	Bumper, Safety Arm	1
10	23384-2	(000001-)	Strip	2
11	23382	(000001-)	Seal, Side Pan	2
12	53143	(000001-)	Strip	1
13	25144	(000001-)	Labe, TENNANT® Logo 255II	1
14	23386	(000001-)	Seal, Top Pan	1
15	02998	(000001-)	Panel, Front Filler	1
16	07028	(000001-)	Label, Numerals	2
17	53465-2	(000001-)	Cover, Battery	1
18	07461	(000001-037999)	Frame, Main	1
18	30341	(038000-)	Frame, Main	1
19	53489	(000001-)	Strip	2
20	82799	(000001-)	Seal, Brush Wrap Dust	1
21	09342	(000001-)	Chain, Link	1
22	82165	(000001-)	Strip	1
23	82164	(000001-)	Skirt	1
24	82163	(000001-)	Angle, Mounting Skirt	1
25	53298	(000001-)	Skirt	1
26	32886	(000001-)	Hinge, Door, L.H.	1
27	33760	(000001-)	Door, Brush, L.H.	1
28	02485	(000001-)	Nut, Speed Retainer	7
29	32270	(000001-)	Tread, Nonskid Floor	1
30	34292	(000001-)	Screw, Hex, Nylon	6
31	34196	(000001-)	Screw, Hex, Nylon	1

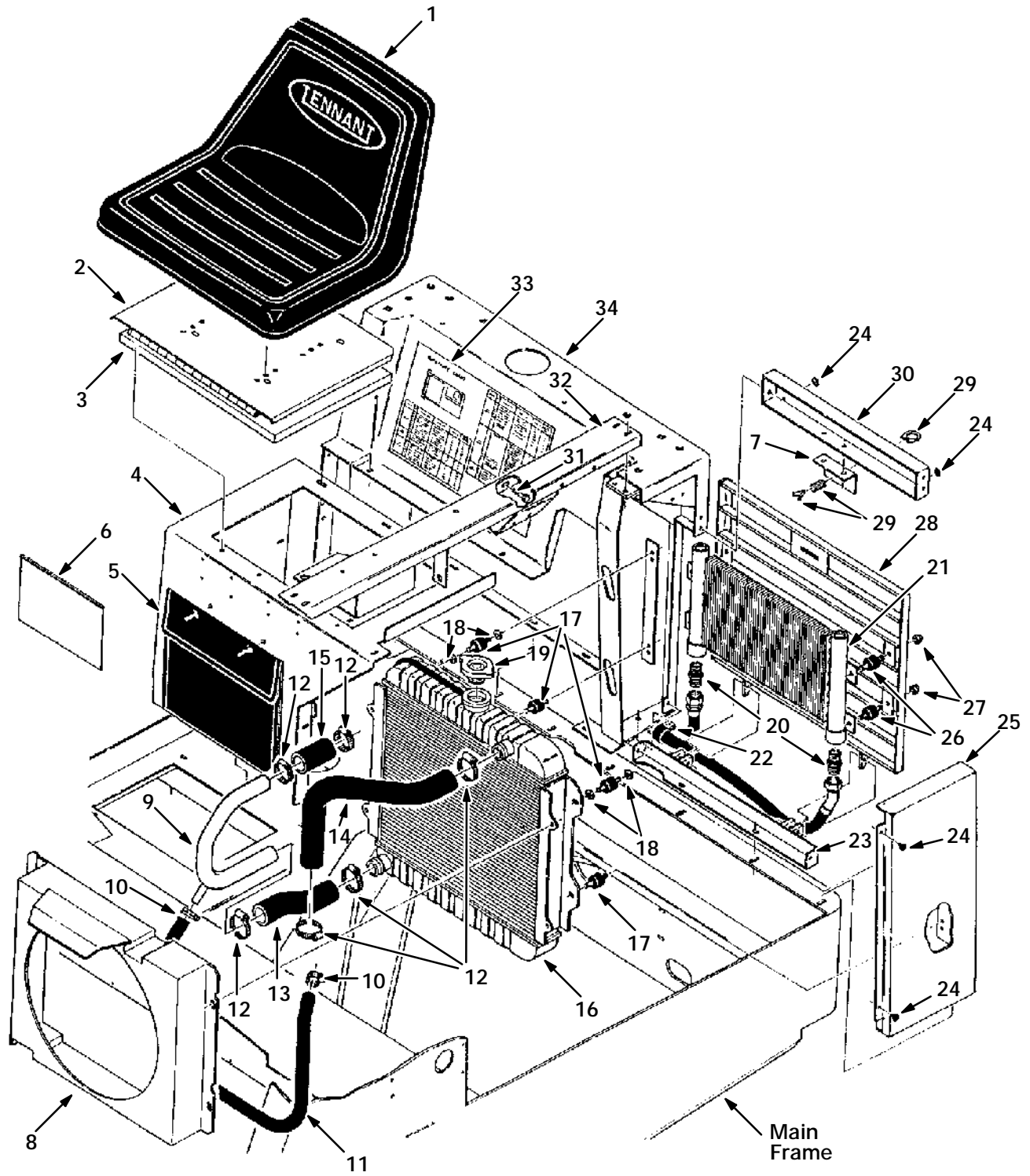


Fig. 4 -- Seat and Radiator Group

Fig. 4 -- Seat and Radiator Group

Key	TENNANT® Part No.	Machine Serial Number	Description	Qty.
1	82342	(000001-037999)	Seat Assembly	1
2	82346	(000001-037999)	Mount, Seat	1
3	82300	(000001-037999)	Foam, Acoustic	1
4	82321	(000001-037999)	Support, Front Seat	1
5	68275	(000001-037999)	Pouch, Operator's Manual	1
6	MM161	(000001-037999)	Manual, Operator Handbook	1
7	82311	(000001-037999)	Bracket, Latch Mounting	1
8	07675	(000001-037999)	Shroud, Fan	1
9	06999	(000001-037999)	Tube, Lower Radiator Hose	1
10	63810	(000001-037999)	Clamp, Worm Drive	2
11	82681	(000001-037999)	Hose, Heater	1
12	11531	(000001-037999)	Clamp, Worm Drive	6
13	03176	(000001-037999)	Hose, Lower Radiator	1
14	03177	(000001-037999)	Hose, Upper Radiator	1
15	62378	(000001-037999)	Hose, Radiator	1
16	07300	(000001-037999)	Radiator	1
17	82661	(000001-037999)	Isolator, Vibration	4
18	82662	(000001-037999)	Spacer	4
19	51321-3	(000001-037999)	Cap, Radiator	1
20	42260	(000001-037999)	Fitting, Straight	2
21	82798	(000001-037999)	Cooler, Hydraulic	1
22	58366	(000001-037999)	Clamp, Support	1
23	82314	(000001-037999)	Channel, Lower Stiffener	1
24	29233	(000001-037999)	Bumper, Rubber	4
25	82316	(000001-037999)	Panel, Rear Left Corner	1
26	51322	(000001-037999)	Isolator, Vibration	4
27	41128	(000001-037999)	Nut, Low Crown	4
28	82310	(000001-037999)	Grille	1
29	82315	(000001-037999)	Latch, Quarter Turn	1
30	82313	(000001-037999)	Channel, Upper Stiffener	1
31	34323	(000001-037999)	Screw, Hex, Nylon	4
32	82768	(000001-037999)	Support, Valve	1
33	11989	(000001-037999)	Label, Maintenance Chart	1
34	82320	(000001-037999)	Support, Rear Seat	1

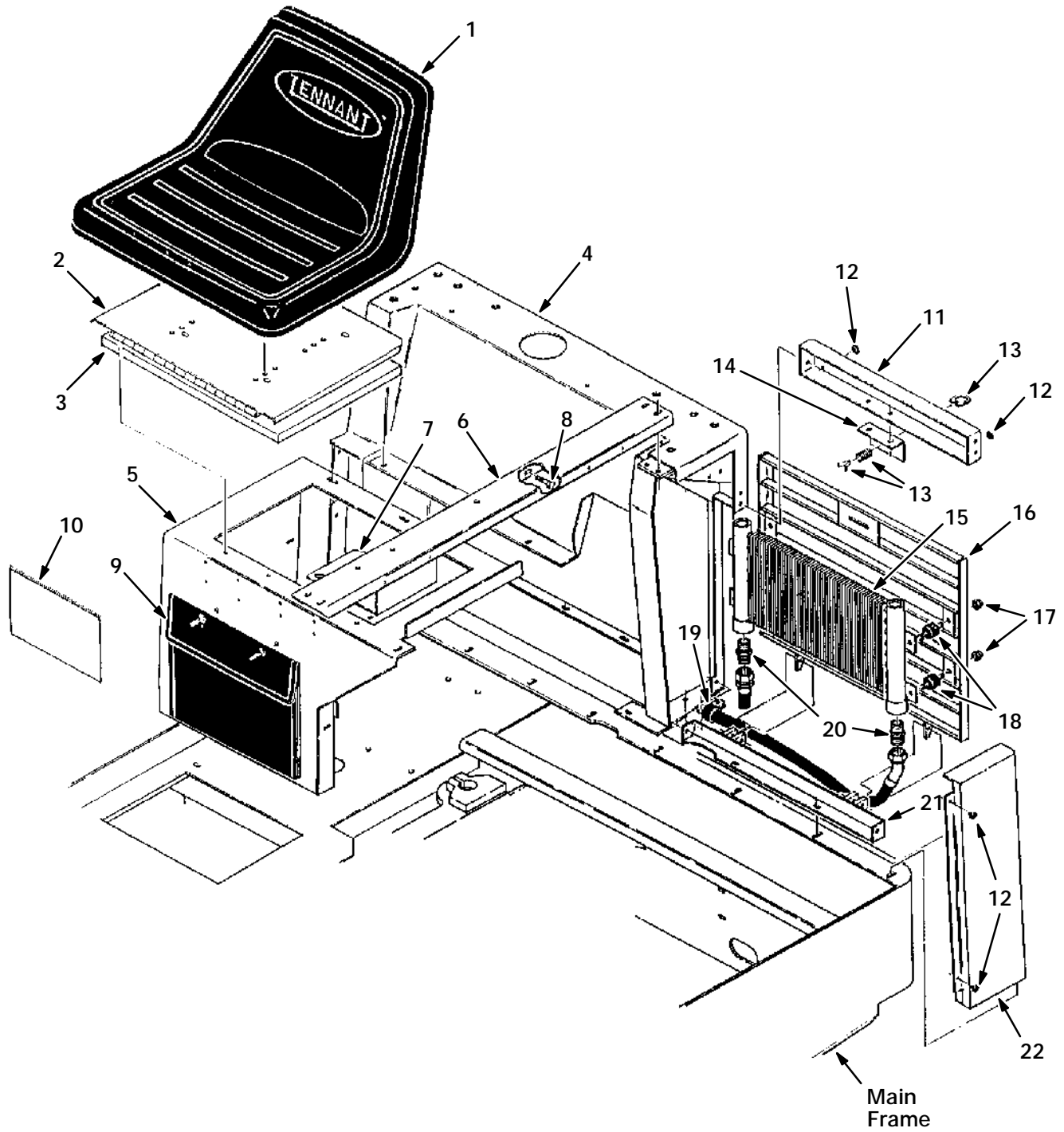


Fig. 5 -- Seat Group, Distributorless (DIS)

Fig. 5 -- Seat Group, Distributorless (DIS)

Key	TENNANT® Part No.	Machine Serial Number	Description	Qty.
1	82342	(038000-)	Seat	1
2	82346	(038000-)	Mount, Seat	1
3	82300	(038000-)	Foam, Acoustic	1
4	30280	(038000-)	Support, Rear Seat	1
5	82321	(038000-)	Support , Front Seat	1
6	31648	(038000-)	Support, Valve	1
7	31531	(038000-)	Bracket, ValveSupport	1
8	34323	(038000-)	Screw, Hex Nylon	4
9	68275	(038000-)	Pouch, Operator's Manual	1
10	MM161	(038000-)	Manual, Operator Handbook	1
11	82313	(038000-)	Channel, Upper Stiffener	1
12	29233	(038000-)	Bumper, Rubber	4
13	82315	(038000-)	Latch, Quarter Turn	1
14	82311	(038000-)	Bracket, Latch Mounting	1
15	82798	(038000-)	Cooler, Hydraulic	1
16	82310	(038000-)	Grille	1
17	41128	(038000-)	Nut, Low Crown	4
18	51322	(038000-)	Isolator, Vibration	4
19	58366	(038000-)	Clamp, Support	1
20	42260	(038000-)	Fitting, Straight	2
21	82314	(038000-)	Channel, Lower Stiffener	1
22	30368	(038000-)	Panel, Rear Left Corner	1

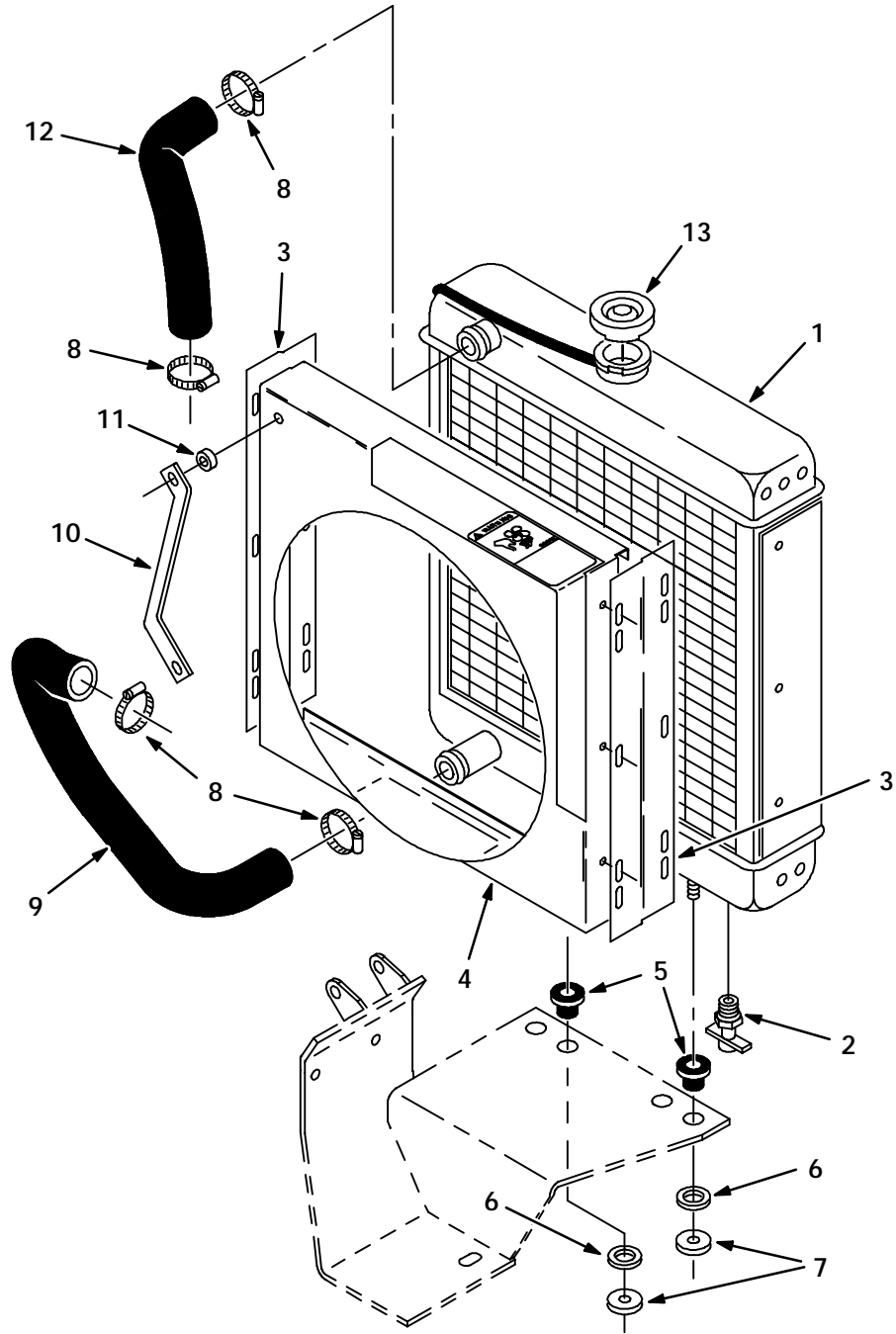


Fig. 6 -- Radiator Group, Distributorless (DIS)

Fig. 6 -- Radiator Group, Distributorless (DIS)

Key	TENNANT Part No.	Machine Serial Number	Description	Qty.
1	31530	(038000-)	Radiator	1
2	54911-32	(038000-)	Cock, Drain	1
3	31541	(038000-)	Plate, Shroud Support	2
4	30348	(038000-)	Guard, Fan W/Label	1
5	54274	(038000-)	Isolator, Vibration	2
6	09832	(038000-)	Washer	2
7	13248	(038000-)	Washer	2
8	11531	(038000-)	Clamp, Worm Drive	4
9	31518	(038000-)	Hose, Radiator	1
10	30354	(038000-)	Bar, Support	1
11	69462	(038000-)	Sleeve	1
12	31517	(038000-)	Hose, Upper Radiator	1
13	51321-3	(038000-)	Cap, Radiator	1

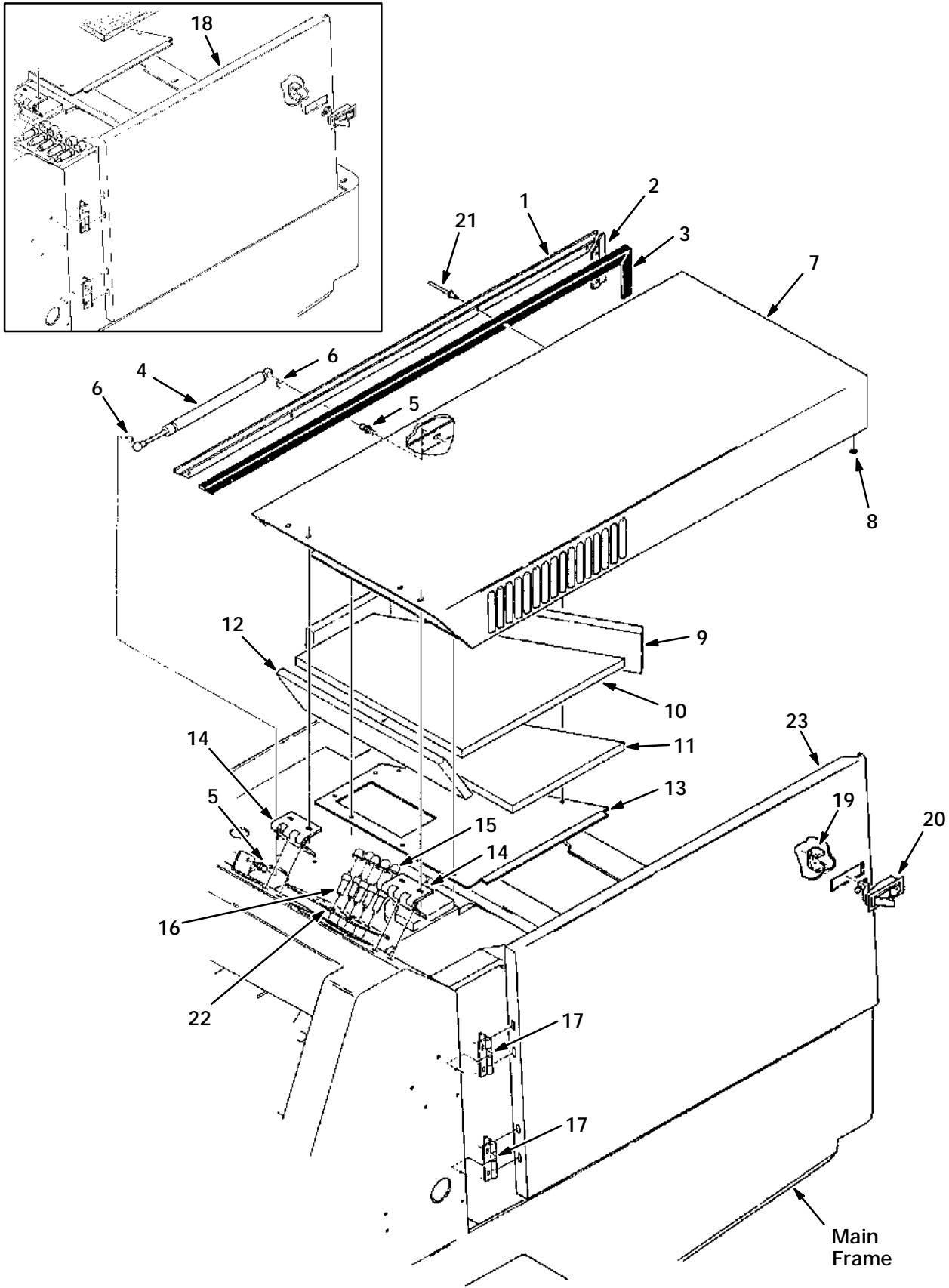


Fig. 7 -- Engine Cover and Side Door Group

Fig. 7 -- Engine Cover and Side Door Group

Key	TENNANT® Part No.	Machine Serial Number	Description	Qty.
1	82377	(000001-)	Retainer, Seal	1
2	82378	(000001-)	Retainer, Seal	1
3	82379	(000001-)	Seal, Engine Cover	1
4	82334	(000001-)	Spring, Gas	1
5	58494	(000001-)	Stud, Ball	2
6	64595	(000001-)	Clip, Safety	2
7	82319	(000001-)	Cover, Engine	1
8	51787	(000001-)	Bumper, Rubber	2
9	82350	(000001-)	Insulation, Foam	1
10	82338	(000001-)	Insulation, Foam	1
11	82352	(000001-)	Insulation, Foam	1
12	82351	(000001-)	Insulation, Foam	1
13	82324	(000001-)	Plate, Engine Cover	1
14	82348	(000001-)	Hinge	2
15	57751	(000001-)	Boot, Circuit Breaker	5
16	57803	(000001-)	Circuit Breaker, 15A	5
17	47692	(000001-)	Hinge	2
18	82234	(000001-037999)	Panel, Side Door	1
19	57298	(000001-)	Bracket, Latch	1
20	64533	(000001-)	Latch, Trigger	1
21	34738	(000001-)	Rivet, Pop	6
22	30391	(038000-)	Panel, Circuit Breaker	1
23	30367	(038000-)	Panel, Side Door	1

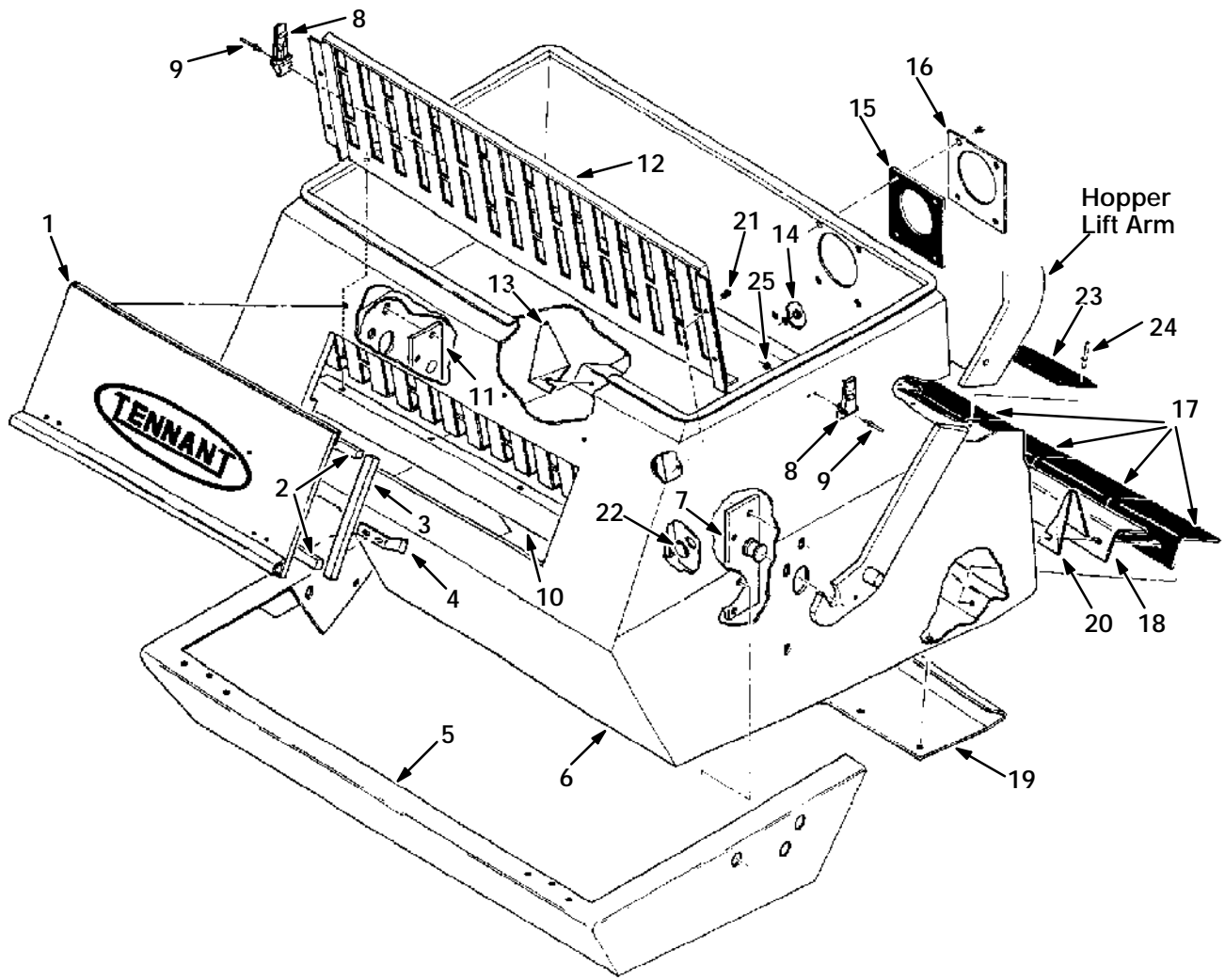


Fig. 8 -- Hopper Group

Fig. 8 -- Hopper Group

Key	TENNANT® Part No.	Machine Serial Number	Description	Qty.
1	53462	(000001-)	Door, Hopper	1
2	53461-2	(000001-)	Seal, Foam Rubber	2
3	53461-1	(000001-)	Seal, Foam Rubber	2
4	53697	(000001-)	Catch, Spring	2
5	08919	(000001-)	Bumper, Front	1
6	02671	(000001-)	Hopper, Low Dump	1
7	24096	(000001-)	Support, Front Pan, L.H.	1
8	87579	(000001-)	Latch, Tension	2
9	34738	(000001-)	Rivet, Pop	4
10	82468	(000001-)	Deflector, Filter Box	1
11	24097	(000001-)	Support, Front Pan, R.H.	1
12	82469	(000001-)	Baffle, Inner	1
13	46595	(000001-)	Deflector, Dirt, R.H.	1
14	47178-3	(000001-)	Plugbutton	1
15	82466	(000001-)	Seal, Tube	1
16	82467	(000001-)	Plate, Seal Retaining	1
17	48060	(000001-)	Lip, Rubber	5
18	46080	(000001-)	Angle, Backing	1
19	46077	(000001-)	Plate	1
20	46596	(000001-)	Deflector, Dirt, L.H.	1
21	58670	(000001-)	Screw, Hex, Nylon	13
22	47178-2	(000001-)	Plugbutton	1
23	02886	(000001-)	Seal, Hopper	1
24	56799	(000001-)	Rivet, Pop	5
25	02892	(000001-)	Washer	4

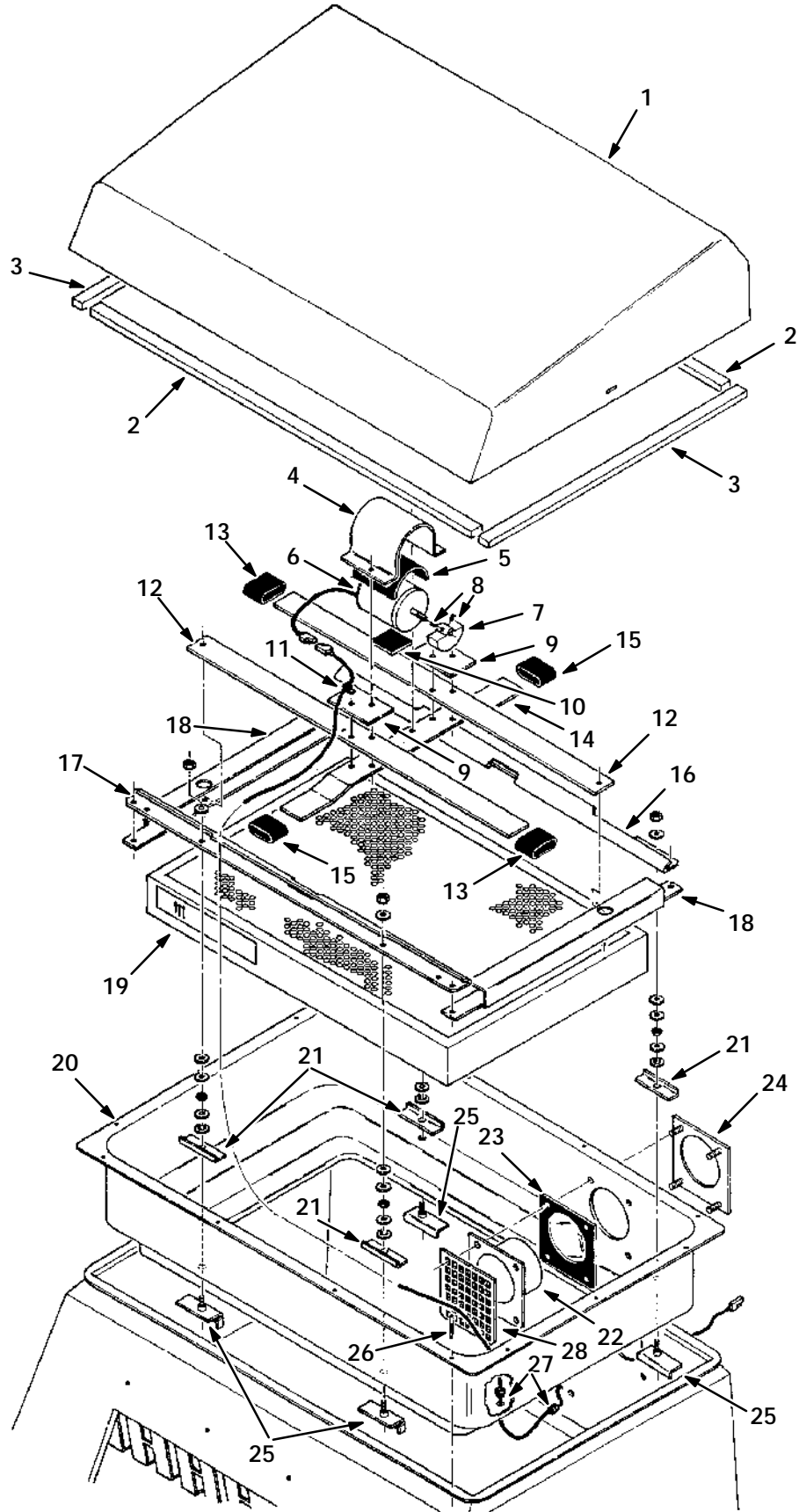


Fig. 9 -- Hopper Cover and Filter Group

Fig. 9 -- Hopper Cover and Filter Group

Key	TENNANT® Part No.	Machine Serial Number	Description	Qty.
1	02728	(000001-)	Cover, Hopper and Filter	1
2	82416	(000001-)	Seal, Hopper Cover	2
3	82415	(000001-)	Seal, Hopper Cover	2
4	36666	(000001-)	Strap, Motor	1
5	36658	(000001-)	Pad, Rubber	1
6	54121	(000001-)	Motor, Electric	1
7	55130	(000001-)	Weight, Eccentric	1
8	39319	(000001-)	Screw, Set	2
9	82475	(000001-)	Pad, Shaker Spring	2
10	36661	(000001-)	Pad, Rubber	2
11	46236	(000001-)	Clamp, Cable	1
12	58482	(000001-)	Spring, Shaker	2
13	36663	(000001-)	Sleeve, Rubber	2
14	58483	(000001-)	Bar, Shaker	1
15	36665	(000001-)	Sleeve, Rubber	2
16	82455	(000001-)	Bracket, Rear Retaining	1
17	82452	(000001-)	Bracket, Filter Retainer	1
18	82453	(000001-)	Bracket, Retaining	2
19	58476	(000001-)	Filter, Panel 137 Pleat	1
19	12962	(000001-)	Filter, Panel 94 Pleat	1
19	25885	(000001-)	Filter, Panel Synthetic	1
20	82460	(000001-)	Carrier, Filter	1
21	82472	(000001-)	Bracket	4
22	82461	(000001-)	Tube, Duct	1
23	82471	(000001-)	Seal, Hopper	1
24	82465	(000001-)	Plate, Retaining	1
25	82504	(000001-)	Stud Assembly, Filter Mount	4
26	82457	(000001-)	Rivet, Pop	14
27	47591	(000001-)	Strain Relief	2
28	82514	(000001-)	Screen, Fan Inlet	1

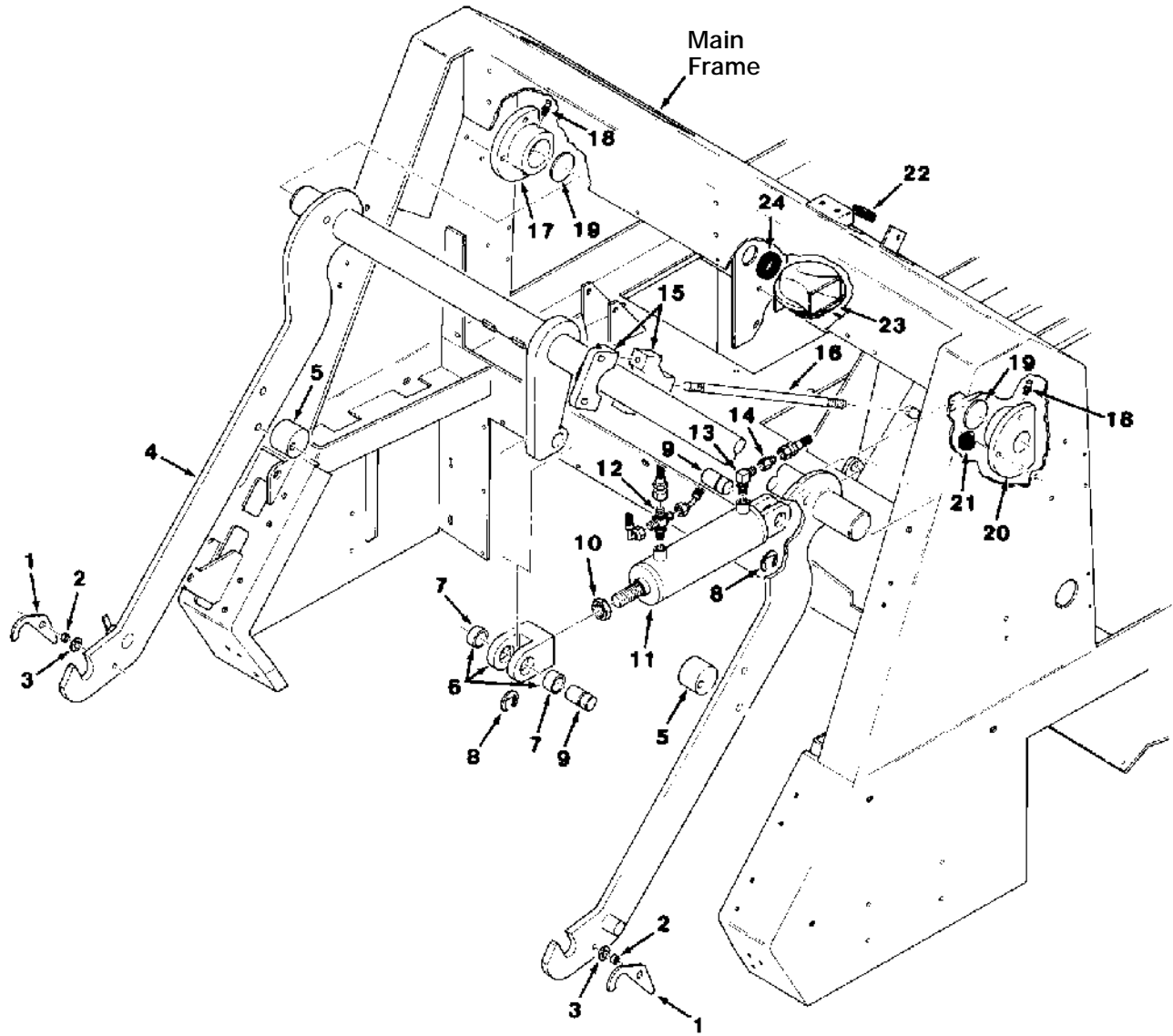


Fig. 10 -- Hopper Lift Arms Group

Fig. 10 -- Hopper Lift Arms Group

Key	TENNANT Part No.	Machine Serial Number	Description	Qty.
1	46132	(000001-)	Hook	2
2	46137	(000001-)	Sleeve	2
3	46147	(000001-)	Washer	2
4	82191	(000001-)	Arm Assembly, Hopper	1
5	23452-2	(000001-)	Cam, Pan Adjusting	2
6	32942	(000001-)	Clevis Assembly	1
7	35688	(000001-)	Bearing, Journal	2
8	23788	(000001-)	Ring, Retaining	2
9	32941	(000001-)	Pin, Grooved	2
10	48988	(000001-)	Nut, Hex	1
11	04468	(000001-)	Cylinder, Hydraulic (See Hydraulic Components)	1
12	82802	(000001-)	Fitting, Cross	1
13	77097	(000001-)	Fitting, Elbow	1
14	16456	(000001-)	Fitting, Restrictor	1
15	23580-2	(000001-)	Bearing	1
16	23583-2A	(000001-)	Stud	1
17	23454-2	(000001-)	Bearing, R.H.	1
18	47801	(000001-)	Fitting, Grease	2
19	23138	(000001-)	Shim	6
20	23455-2	(000001-)	Bearing, L.H.	1
21	82829	(000001-)	Clamp, Support	1
22	10632-19	(000001-)	Grommet, Rubber	1
23	14138A	(000001-)	Horn	1
24	10632-1	(000001-)	Grommet, Rubber	1

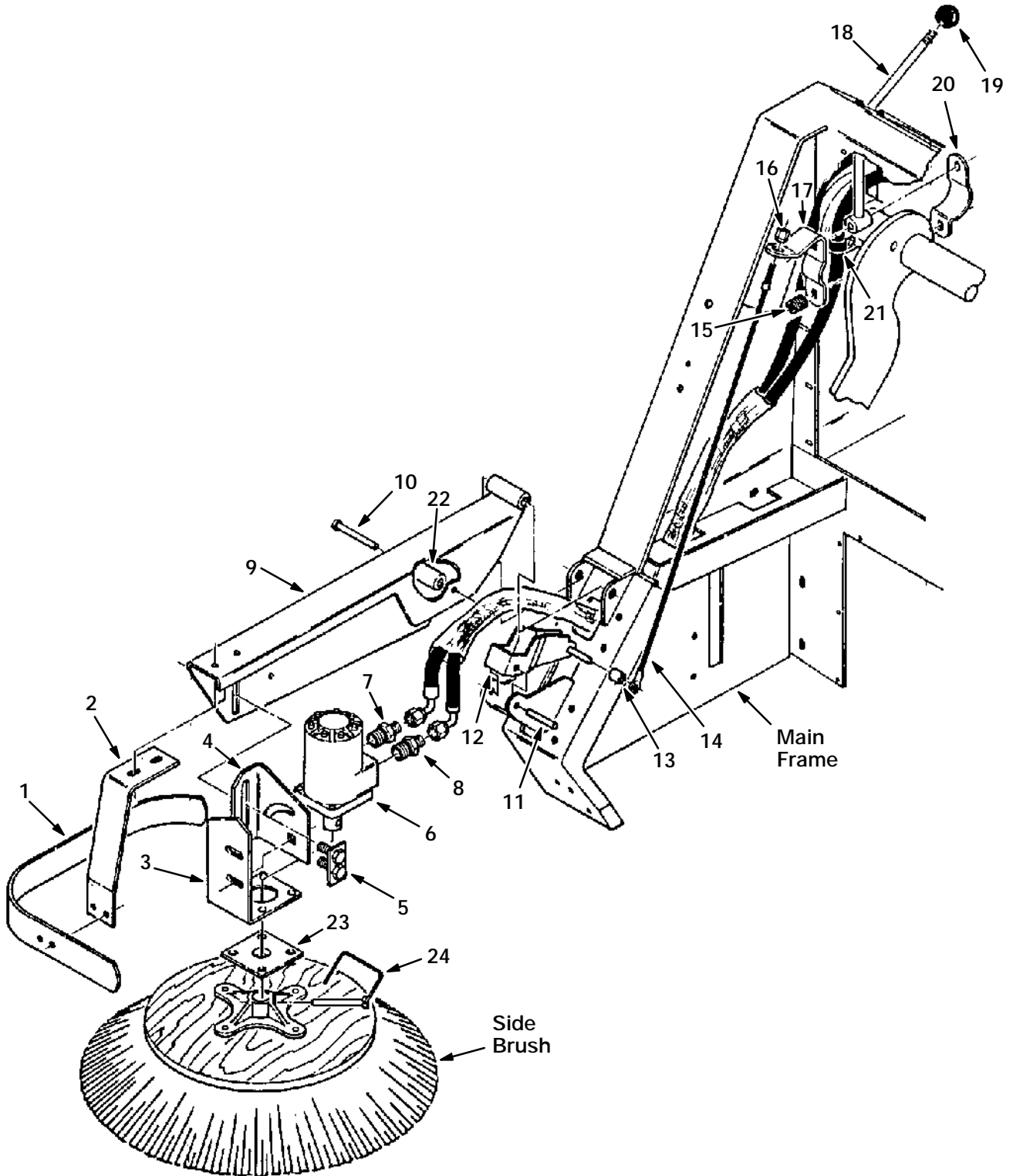


Fig. 11 -- Side Brush Group

Fig. 11 -- Side Brush Group

Key	TENNANT Part No.	Machine Serial Number	Description	Qty.
1	46034	(000001-)	Bumper, Side Brush	1
2	46033	(000001-)	Support, Bumper	1
3	02661	(000001-)	Bracket, Motor	1
4	24207	(000001-)	Bracket, Adjustment	1
5	46347	(000001-)	Lug, Side Brush	1
6	13105	(000001-000299)	Motor, Hydraulic (See Hydraulic Components)	1
6	28808	(000300-)	Motor, Hydraulic (See Hydraulic Components)	1
7	57984	(000001-)	Fitting, Straight	1
8	47508	(000001-)	Fitting, Straight	1
9	48062	(000001-)	Arm, Side Brush	1
10	23191	(000001-)	Pin, Clevis	1
11	23536	(000001-)	Pin	1
12	23503A	(000001-)	Lever Assembly, Lift	1
13	08892	(000001-)	Sleeve	1
14	23294	(000001-)	Cable Assembly, Eye and Stud	1
15	14174	(000001-)	Spring, Compression	1
16	23293	(000001-)	Nut, Hex, Special	1
17	23307-1	(000001-)	Lever, Lift Handle	1
18	82135	(000001-)	Handle, Brush Lift	1
19	26156	(000001-)	Knob	1
20	23306-1	(000001-)	Bracket, Clip	1
21	82829	(000001-)	Clamp, Support	1
22	02885	(000001-)	Sleeve	1
23	16082	(000001-)	Guard, String	1
24	02662	(000001-)	Keeper, Pin	1

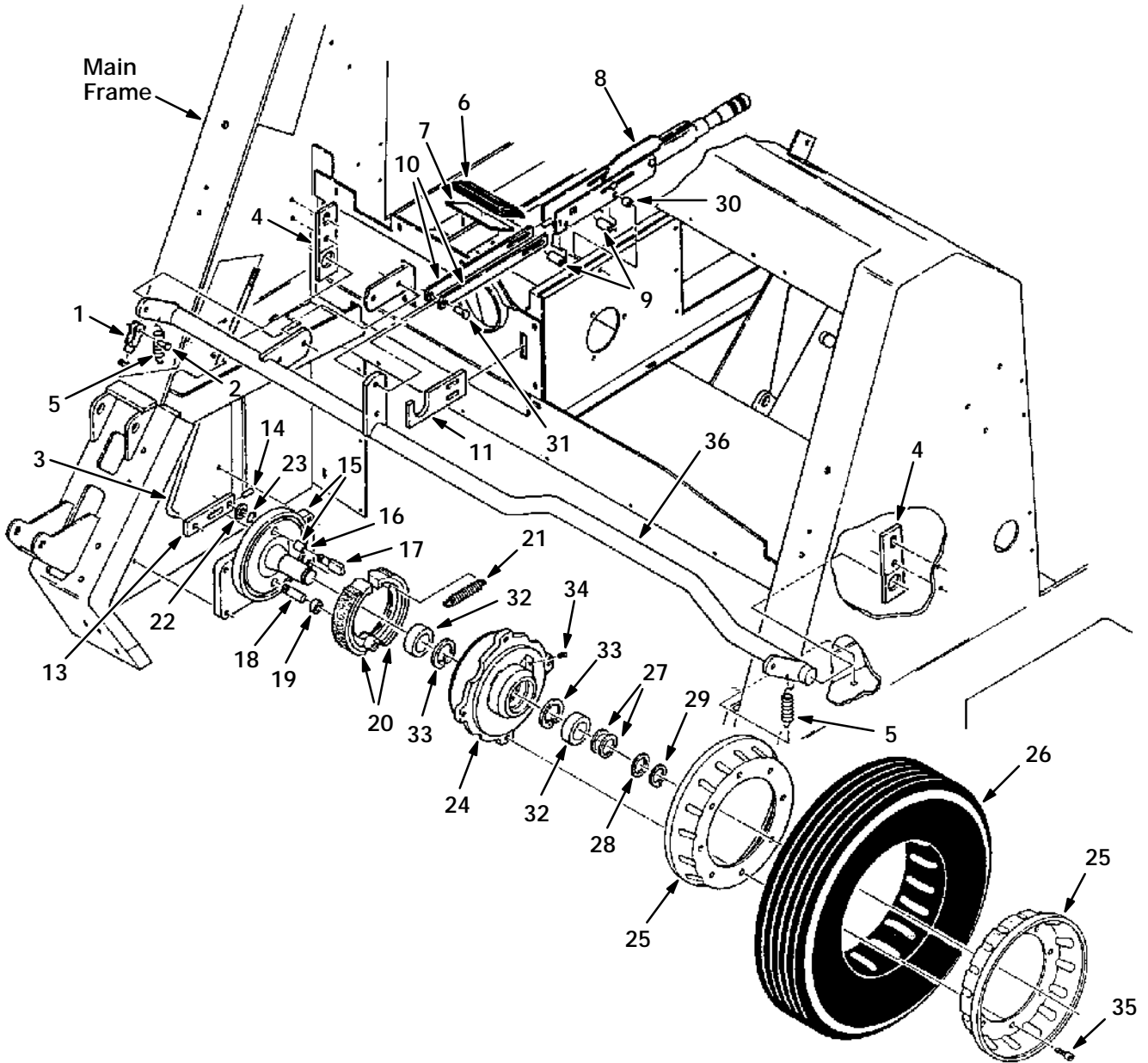
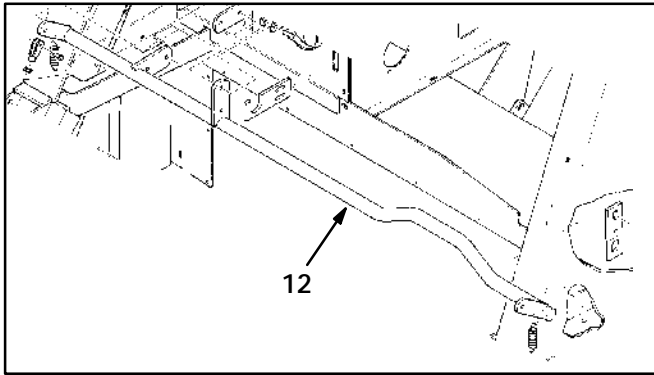


Fig. 12 -- Front Wheel and Brakes Group

Fig. 12 -- Front Wheel and Brakes Group

Key	TENNANT® Part No.	Machine Serial Number	Description	Qty.
1	14595-1	(000001-)	Clevis, Adjustable	2
2	14605	(000001-)	Pin, Clevis	2
3	82218	(000001-)	Rod, Brakes Control	2
4	23280-2	(000001-)	Hanger	2
5	03091	(000001-)	Spring, Tension	2
6	51109	(000001-)	Pad	1
7	82244	(000001-)	Arm, Brake Pedal	1
8	51545	(000001-)	Lever, Brake	1
9	51562	(000001-)	Sleeve	2
10	82254	(000001-)	Arm, Extension	2
11	82255	(000001-)	Support, Cross Shaft	1
12	82240	(000001-037999)	Shaft, Brake	1
	08112	(000001-)	Axle Assembly, Front	2
13	23484	(000001-)	Arm	1
14	20021	(000001-)	Pin, Roll	1
15	08104	(000001-)	Axle and Bushing Assembly, Front	1
16	24992	(000001-)	Bushing, Sleeve	1
17	23272	(000001-)	Cam	1
18	10413	(000001-)	Pin	1
19	10415	(000001-)	Sleeve	1
20	10414	(000001-)	Shoe and Lining Assembly, Brake	2
21	09758	(000001-)	Spring, Tension	1
22	59633	(000001-)	Bearing, Thrust Fiberglide	1
23	69365-3	(000001-)	O-Ring	1
24	33815	(000001-)	Hub, Front Wheel	2
25	23411	(000001-)	Wheel, Half	4
26	47094	(000001-)	Tire, Semi-Pneumatc	2
27	82226	(000001-)	Washer	4
28	82227	(000001-)	Washer	2
29	06442	(000001-)	Ring, Retaining	2
30	01275	(000001-)	Sleeve	1
31	69582	(000001-)	Pin, Clevis	1
32	33816	(000001-)	Bearing, Ball	4
33	23244	(000001-)	Ring, Retaining	4
34	10552	(000001-)	Fitting, Plug	1
35	02985	(000001-)	Screw, Socket	8
36	30390	(038000-)	Shaft, Brake	1

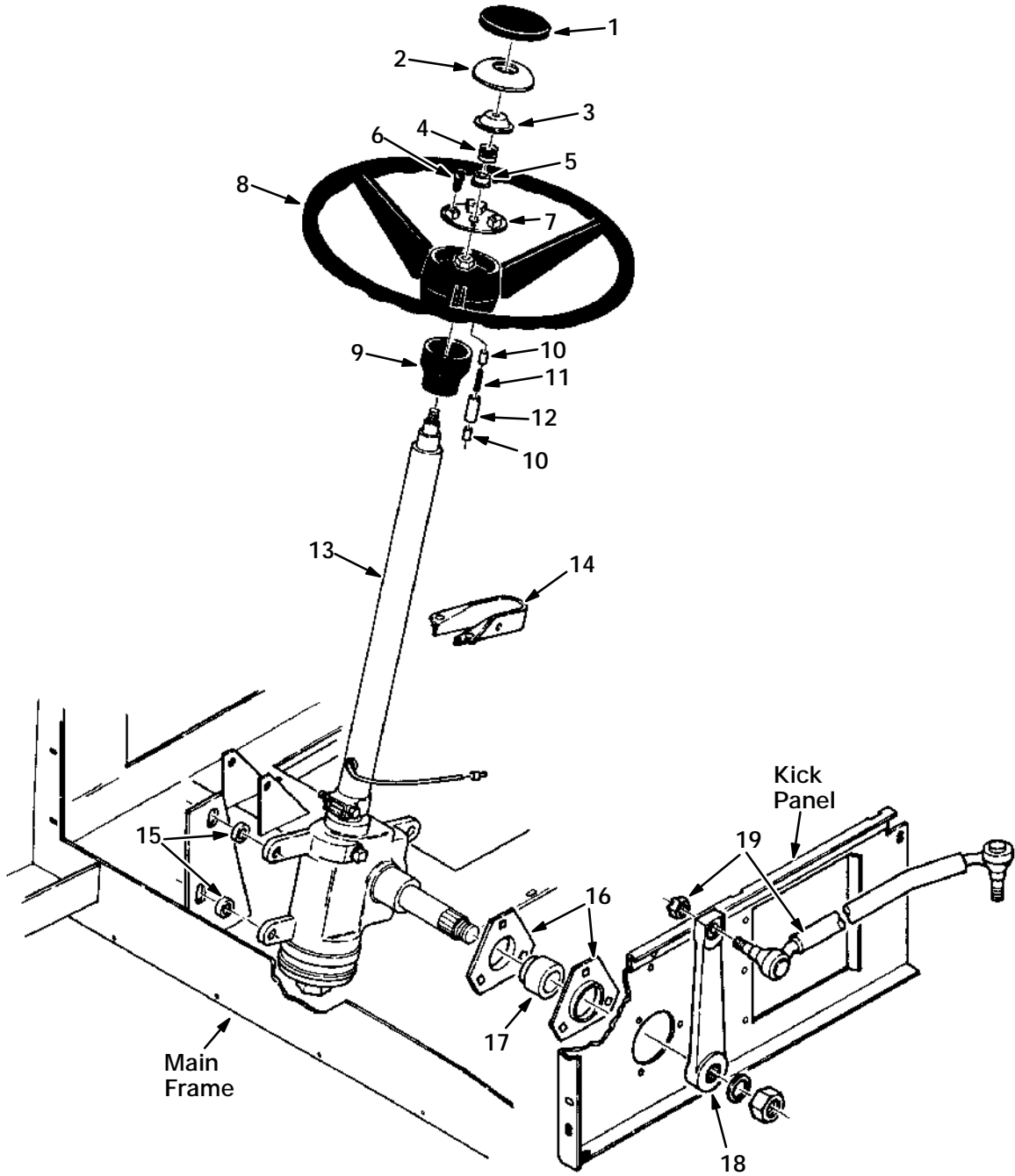


Fig. 13 -- Steering Control Group

Fig. 13 -- Steering Control Group

Key	TENNANT® Part No.	Machine Serial Number	Description	Qty.
1	47010-7	(000001-)	Cover, Horn Button	1
2	47010-6	(000001-)	Horn, Button	1
3	47010-2	(000001-)	Cup, Contact	1
4	47010-3	(000001-)	Spring, Horn Button	1
5	47010-1	(000001-)	Cap, Contact	1
6	47010-4	(000001-)	Screw, Wood	3
7	47010-5	(000001-)	Plate Assembly, Base	1
8	82201	(000001-)	Wheel, Steering	1
9	54159	(000001-)	Adaptor, Molded	1
	47011	(000001-)	Unit Assembly, Brush	1
10	46311	(000001-)	Brush, Horn	2
11	46313	(000001-)	Spring, Compression	1
12	46312	(000001-)	Tube, Acrylic	1
13	55667	(000001-)	Gear and Column Assembly, Steering	1
14	23315-2	(000001-)	Support, Steering Column	1
15	82229	(000001-)	Sleeve	2
16	51449	(000001-)	Flange, Bearing	2
17	48050-1	(000001-)	Bearing, Ball	1
18	35618	(000001-)	Arm, Pitman	1
19	53481	(000001-)	Link, Drag	1

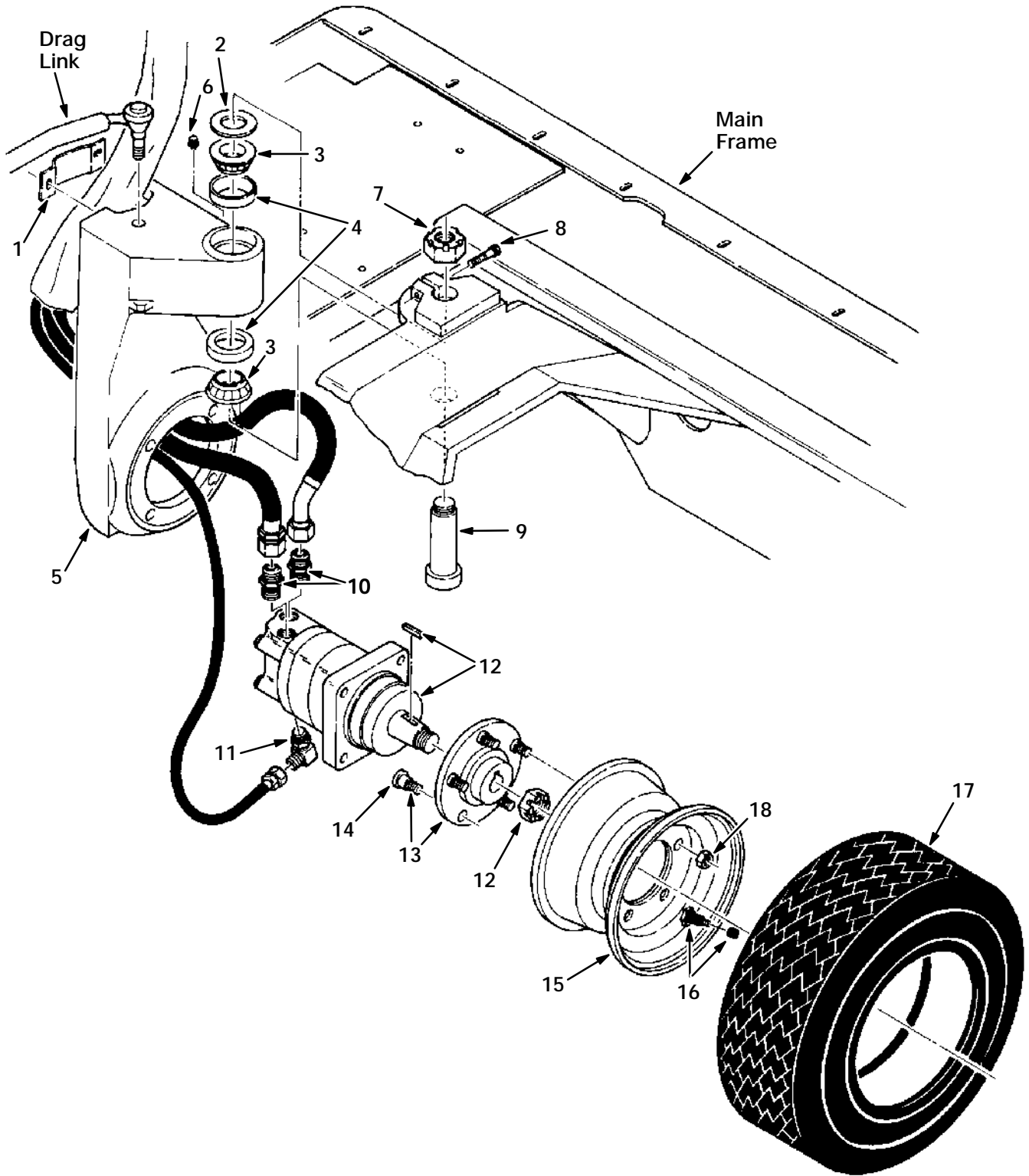


Fig. 14 -- Rear Wheel Drive Group

Fig. 14 -- Rear Wheel Drive Group

Key	TENNANT Part No.	Machine Serial Number	Description	Qty.
1	82797	(000001-)	Clamp, Hose	1
2	47719	(000001-)	Washer	1
	49225	(000001-)	Bearing, Cup and Cone Assembly	1
3	24988	(000001-)	Bearing, Cone	2
4	24989	(000001-)	Bearing, Cup	2
5	02637	(000001-)	Support, Rear Drive	1
6	47801	(000001-)	Fitting, Grease	1
7	14242	(000001-)	Nut, Slotted Hex	1
8	02987	(000001-)	Screw, Socket	1
9	57925	(000001-)	Pin, Support	1
10	06750	(000001-)	Fitting, Straight	2
11	77097	(000001-)	Fitting, Elbow	1
12	02641	(000001-)	Motor, Hydraulic (See Hydraulic Components)	1
13	82239	(000001-)	Hub and Stud Assembly	1
14	32126	(000001-)	Stud, Wheel	5
	82245	(000001-)	Tire and Wheel Assembly	1
15	82225	(000001-)	Wheel	1
16	75365	(000001-)	Valve, Tire	1
17	47525	(000001-)	Tire	1
18	24339	(000001-)	Nut, Wheel Angle	5

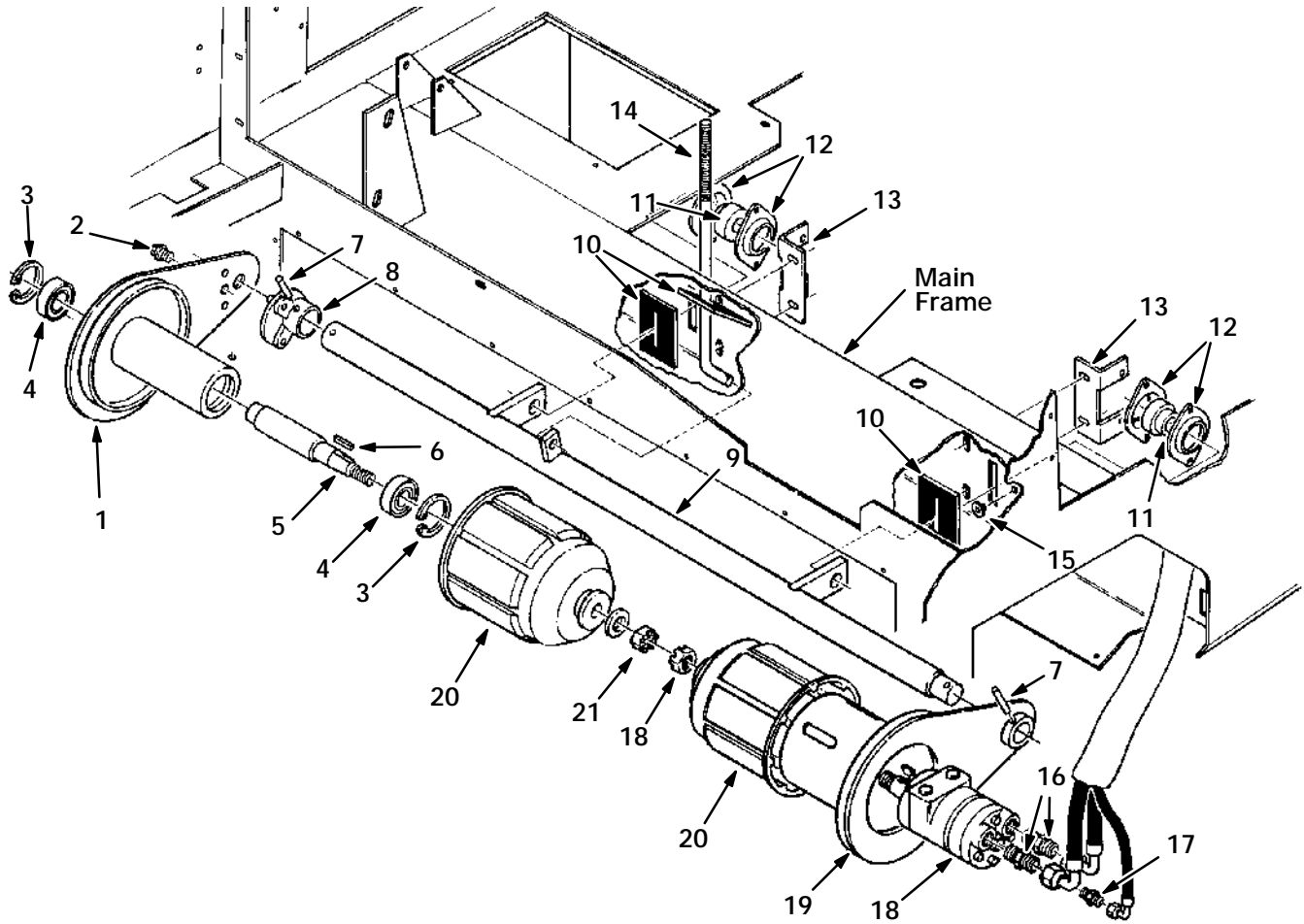


Fig. 15 -- Main Brush Drive Group

04425

Key	TENNANT Part No.	Machine Serial Number	Description	Qty.
1	02659	(000001-)	Arm, Idler	1
2	53985	(000001-)	Plug, Thread	1
3	40727	(000001-)	Ring, Retaining	2
4	13534	(000001-)	Bearing, Ball	2
5	13151	(000001-)	Shaft, Brush Idler	1
6	00927	(000001-)	Key, Square	1
7	20050	(000001-)	Pin, Roll	2
8	07496	(000001-)	Hub Assembly, Brush	1
9	07499	(000001-)	Shaft, Counter	1
10	53906	(000001-)	Seal, Brush Wrap	3
11	25887	(000001-)	Bearing and Collar	2
12	35973	(000001-)	Flange, Bearing	4
13	50521	(000001-)	Bracket, Support	2
14	35677	(000001-)	Rod, L	1
15	82169	(000001-)	Plug	4
16	44869	(000001-)	Fitting, Straight	2
17	55586	(000001-)	Fitting, Straight	1
18	13106	(000001-000317)	Motor, Hydraulic (See Hydraulic Components)	1
18	27800	(000318-)	Motor, Hydraulic (See Hydraulic Components)	1
19	02657	(000001-)	Arm, Brush Drive	1
20	87631	(000001-)	Plug, Brush Drive	2
21	39527	(000001-)	Nut, Slotted Hex	1

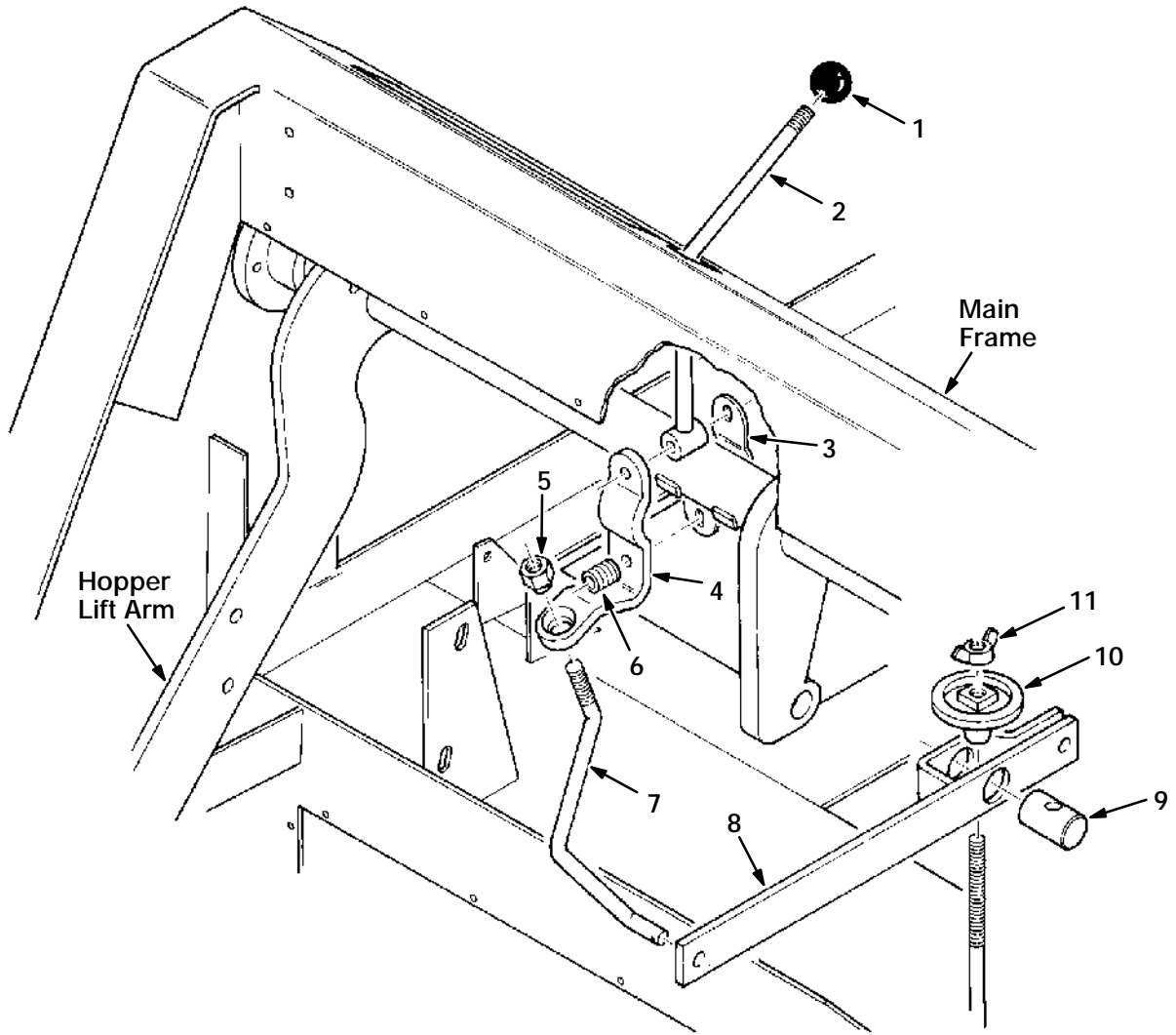


Fig. 16 -- Main Brush Lift Group

04426

Key	TENNANT Part No.	Machine Serial Number	Description	Qty.
1	26156	(000001-)	Knob	1
2	82135	(000001-)	Handle, Brush Lift	1
3	23306-1	(000001-)	Bracket, Clip	1
4	23307-1	(000001-)	Lever, Lift Handle	1
5	24339	(000001-)	Nut, Wheel Angle	1
6	14174	(000001-)	Spring, Compression	1
7	53182	(000001-)	Rod, Lift	1
8	53876	(000001-)	Arm, Lift	1
9	51391	(000001-)	Pin, Swivel	1
10	51452	(000001-)	Knob	1
11	39274	(000001-)	Nut, Wing	1

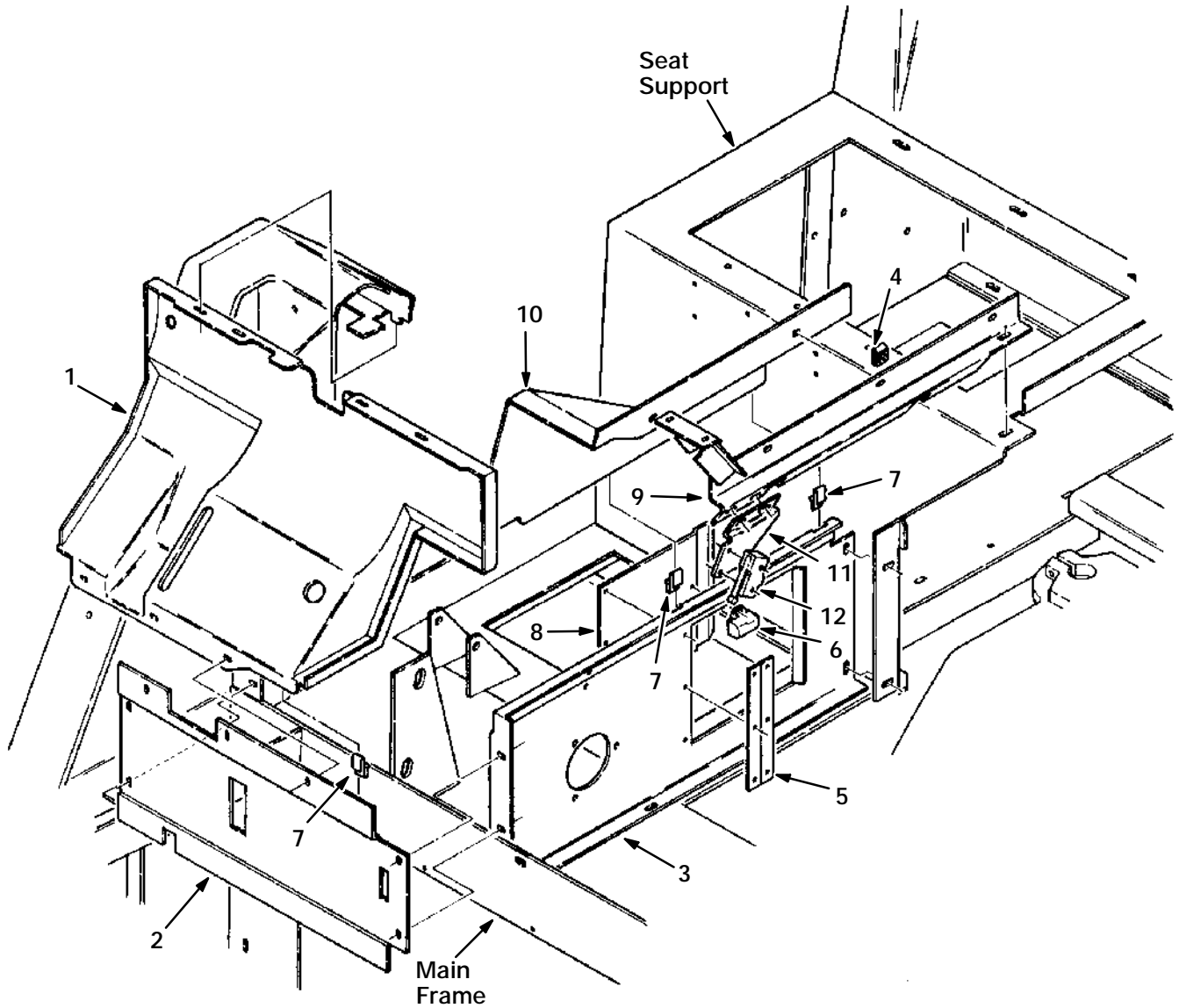


Fig. 17 -- Access and Kick Panels Group

04427

Key	TENNANT Part No.	Machine Serial Number	Description	Qty.
1	10869	(000001-000186)	Panel, Front Dashboard	1
1	02724	(000187-)	Panel, Front Dashboard	1
2	82363	(000001-000186)	Panel, Front Kick	1
2	02722	(000187-)	Panel, Front Kick	1
3	82354	(000001-)	Panel, Kick	1
4	61110	(000001-)	Nut, U-Type Retainer	3
5	62615	(000001-)	Hinge	1
6	64903	(000001-)	Catch, Roller	1
7	82362	(000001-)	Clip, S Spring	6
8	82353	(000001-)	Door, Access	1
9	82385	(000001-)	Stiffener, Panel	1
10	82360	(000001-)	Panel, Access	1
11	82084	(000001-)	Bracket, Switch	1
12	82092	(005001-)	Switch, Roller Lever (Switch mounts on the opposite side of the bracket for Multi-Level Dump machines)	1

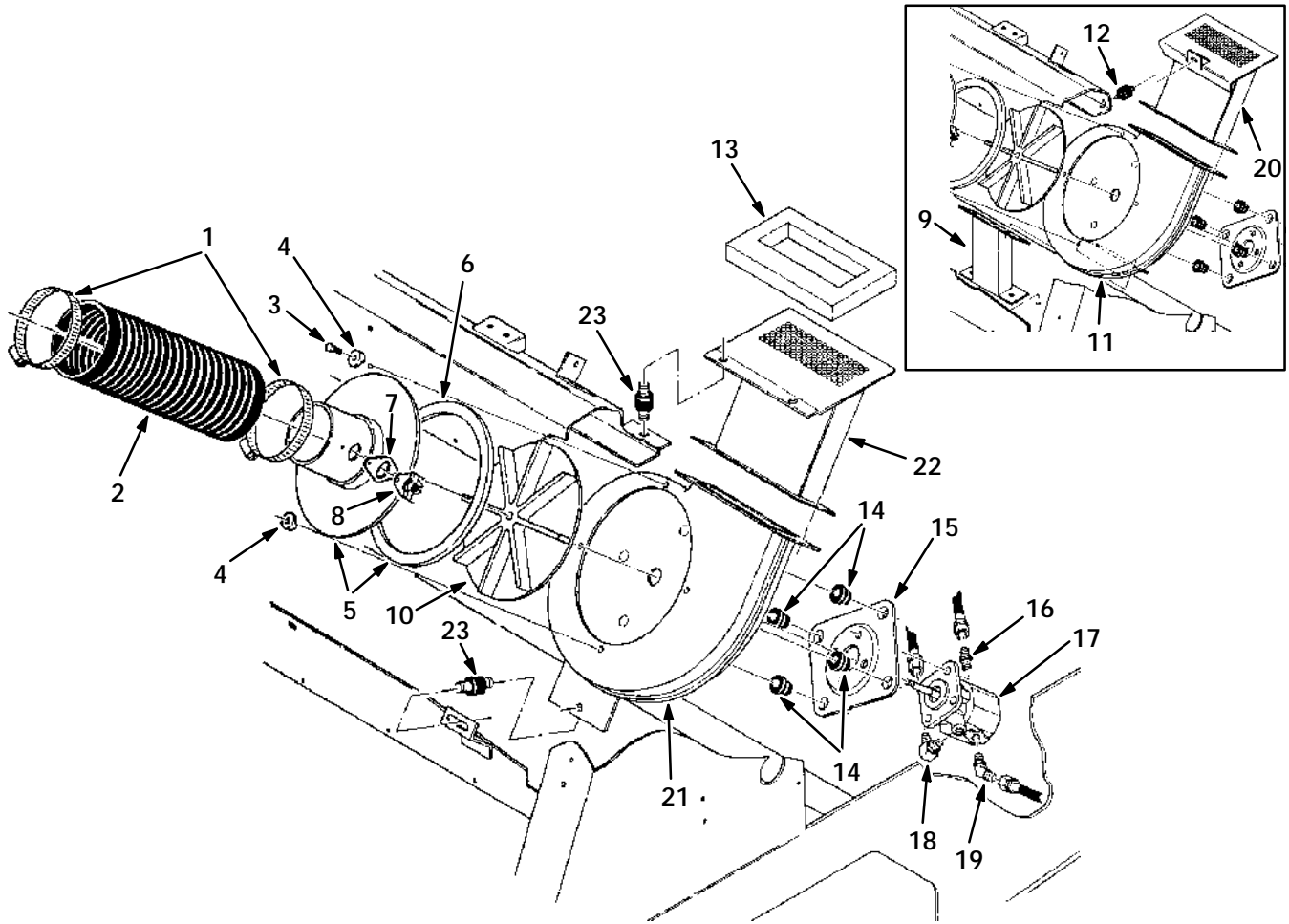


Fig. 18 -- Vacuum Fan Group

04428

Key	TENNANT Part No.	Machine Serial Number	Description	Qty.
1	23498	(000001-)	Clamp, Worm Drive	2
2	51881	(000001-)	Hose, Flex	1
3	34323	(000001-)	Screw, Nylon Hex	4
4	03467A	(000001-)	Clip, Vacuum Housing	4
5	82368	(000001-)	Inlet Assembly, Vacuum Fan	1
6	23542	(000001-)	Seal, Foam Rubber	1
7	82733	(000001-)	Gasket, Fire Switch	1
8	02712	(000001-)	Thermostat, Sealed	1
9	82480	(000001-037999)	Mount, Fan	1
10	82268	(000001-)	Impeller	1
11	82386	(000001-037999)	Housing, Vacuum Fan	1
12	82661	(000001-037999)	Isolator, Vibration	1
13	82424	(000001-)	Seal, Muffler	1
14	54274	(000001-)	Isolator, Vibration	4
15	54275A	(000001-)	Bracket, Mounting	1
16	44869	(000001-)	Fitting, Straight	1
17	77101	(000001-)	Motor, Hydraulic (See Hydraulic Components)	1
18	77097	(000001-)	Fitting, Elbow	1
19	42226	(000001-)	Fitting, Elbow, 45°	1
20	82396	(000001-037999)	Duct, Fan Exhaust	1
21	31712	(038000-)	Housing, Vacuum Fan	1
22	30362	(038000-)	Duct, Fan Exhaust	1
23	82661	(038000-)	solator, Vibration	3

LOW DUMP MODEL PARTS

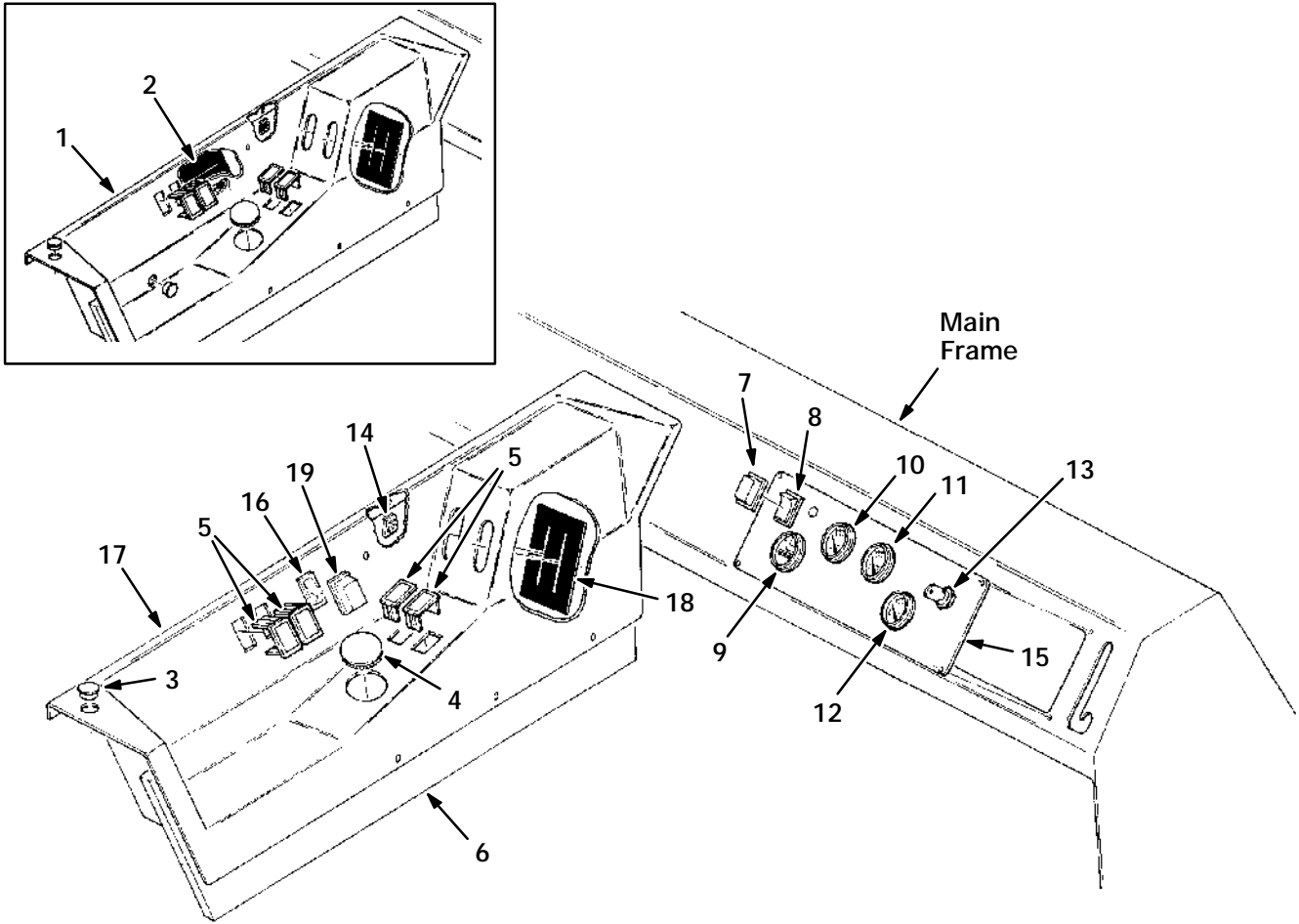


Fig. 19 -- Instrument and Control Panels Group

04429

Key	TENNANT Part No.	Machine Serial Number	Description	Qty.
1	07663	(000001-037999)	Panel, Control	1
2	82299	(000001-037999)	Seal, Control Panel	1
3	82727	(000001-)	Plugbutton	1
4	82747	(000001-)	Plugbutton	1
5	57772	(000001-)	Plate, Cover	4
6	07642	(000001-)	Foam, Acoustic	1
7	57807	(000001-)	Seal, Rocker Switch	1
8	31961	(000001-)	Switch, Rocker, SPST	1
9	34810	(000001-)	Meter, Hour	1
10	58591	(000001-)	Gauge, Water Temperature	1
11	07056	(000001-)	Gauge, Oil Pressure	1
12	55557	(000001-)	Gauge, Voltage	1
13	55258	(000001-000283)	Switch, Ignition (Replaced by Switch Kit 07563)	1
	62530-1	(000001-000283)	Key, Ignition	1
13	87536	(000284-)	Switch, Ignition	1
	87866	(000284-)	Key, Ignition	1
14	61110	(000001-)	Nut, U-Type Retainer	4
15	07039	(000001-000283)	Panel, Instrument	1
15	07570	(000284-)	Panel, Instrument	1
16	30400	(038000-)	Switch, Rocker, DPDT	1
17	30286	(038000-)	Panel, Control	1
18	82299	(038000-)	Seal, Control Panel	1
19	57807	(038000-)	Seal, Rocker Switch	1

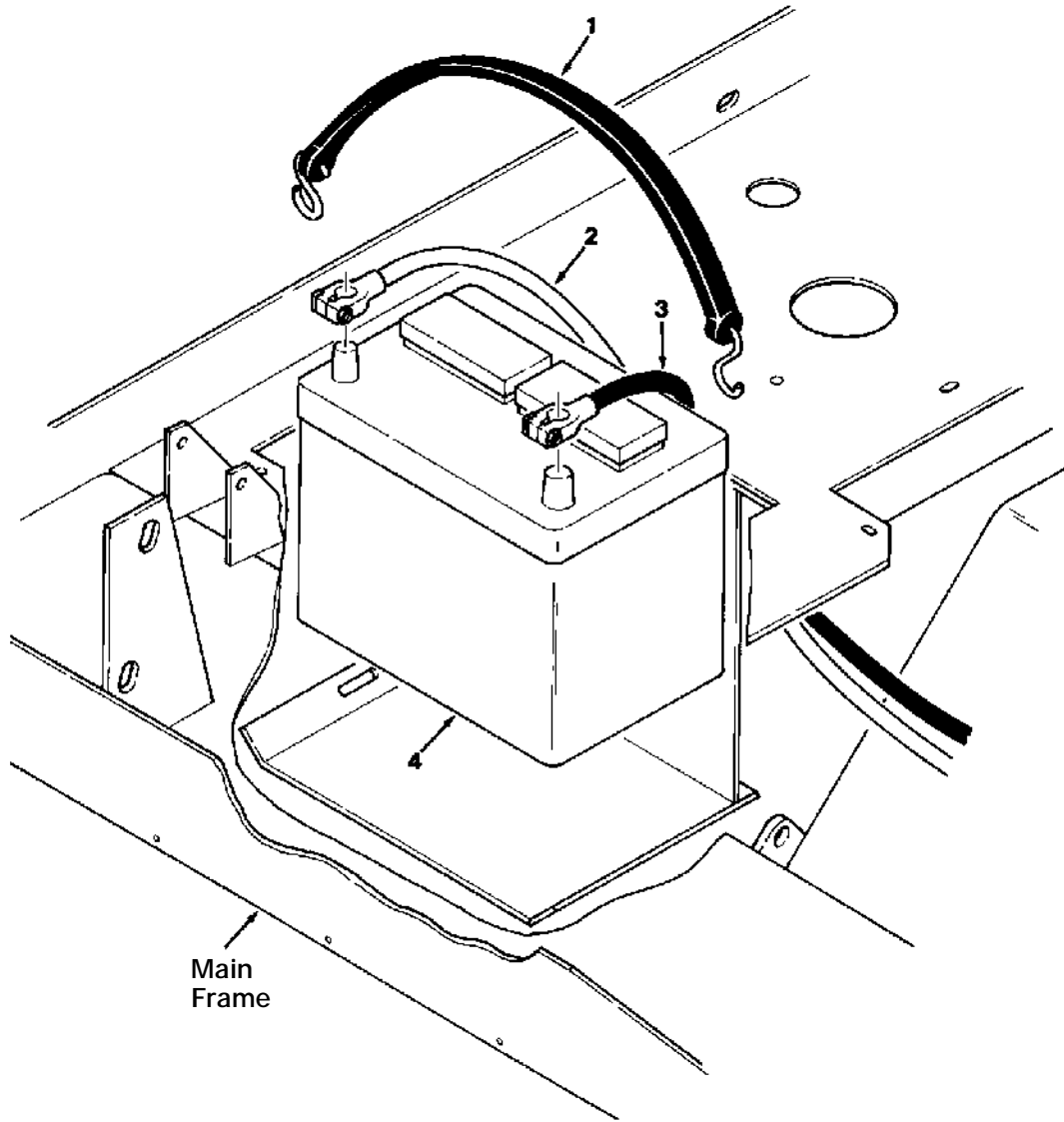


Fig. 20 -- Battery Group

04430

Key	TENNANT Part No.	Machine Serial Number	Description	Qty.
1	33671	(000001-)	Strap, Rubber Tie-Down	1
2	82710	(000001-037999)	Cable Assembly, Positive	1
2	57778	(038000-)	Cable Assembly, Positive	1
3	82709	(000001-)	Cable, Negative Battery	1
4	10137	(000001-)	Battery, Wet, 475 CCA	1

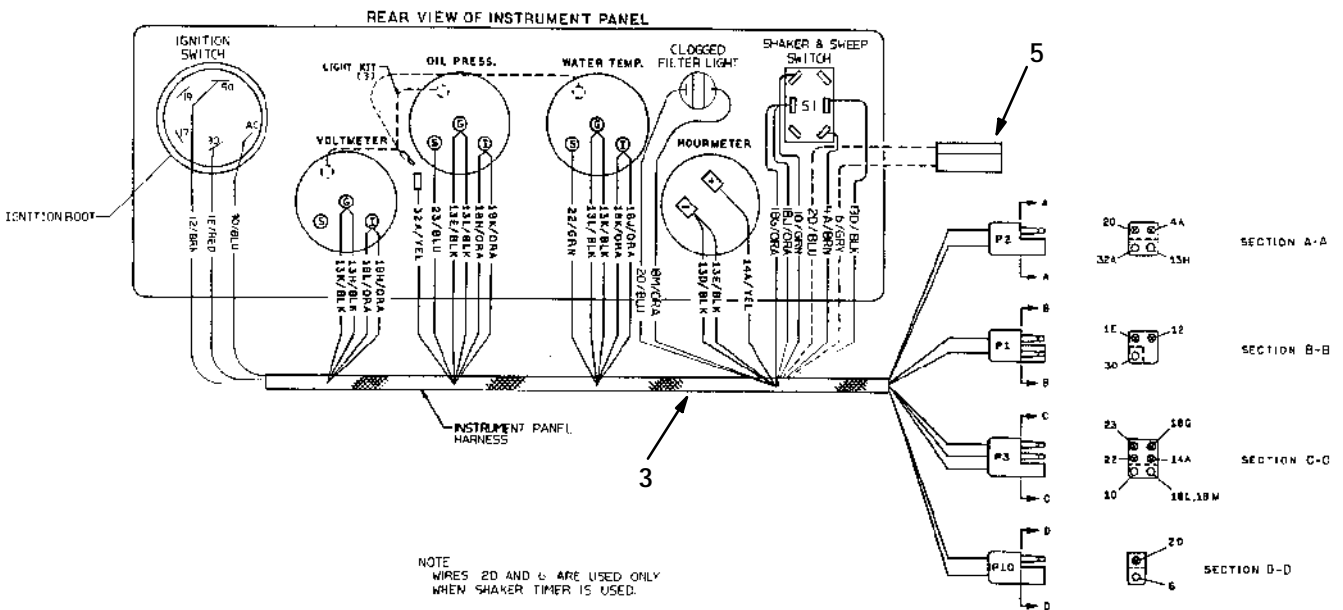
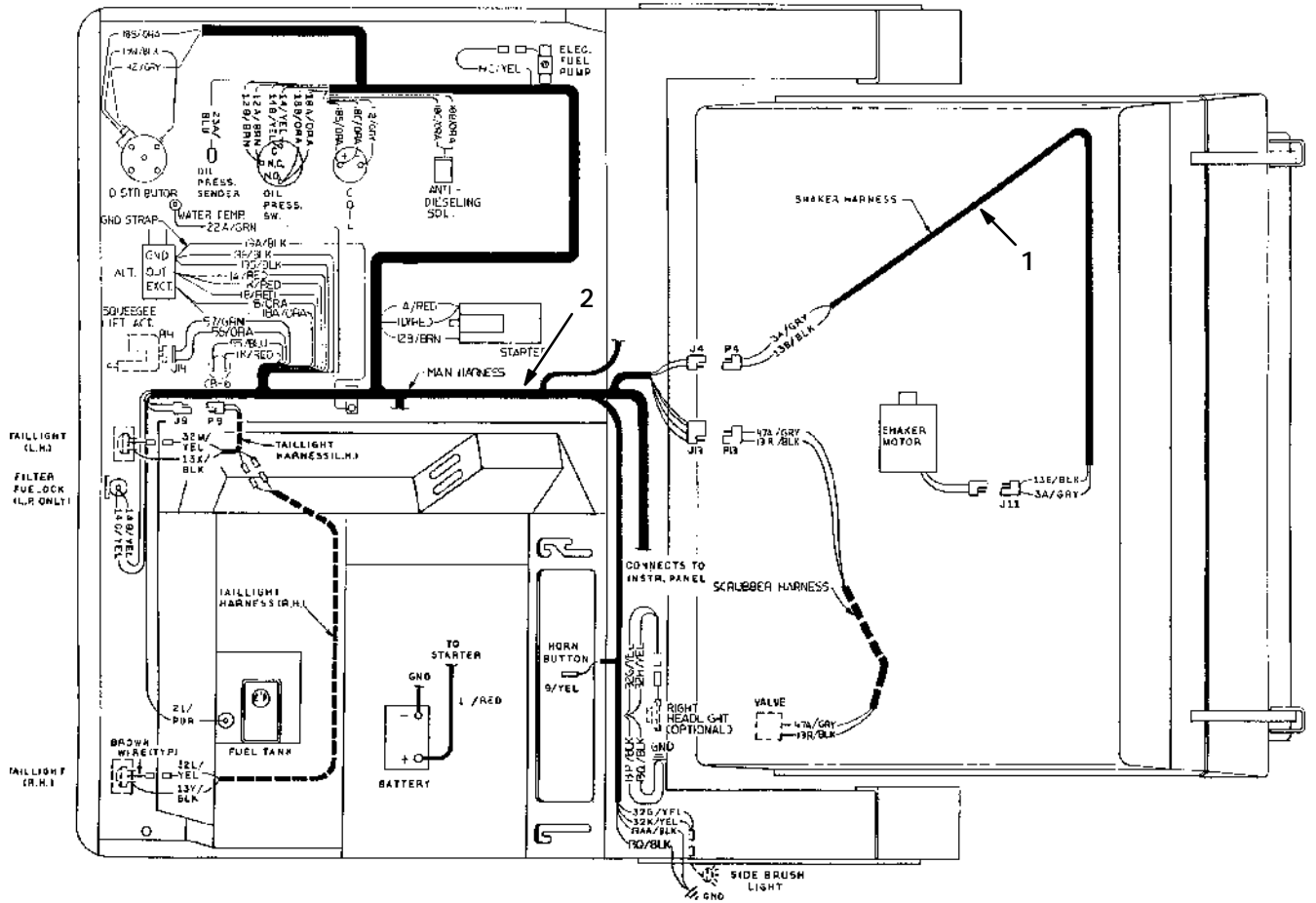


Fig. 21 -- Wire Harnesses Group

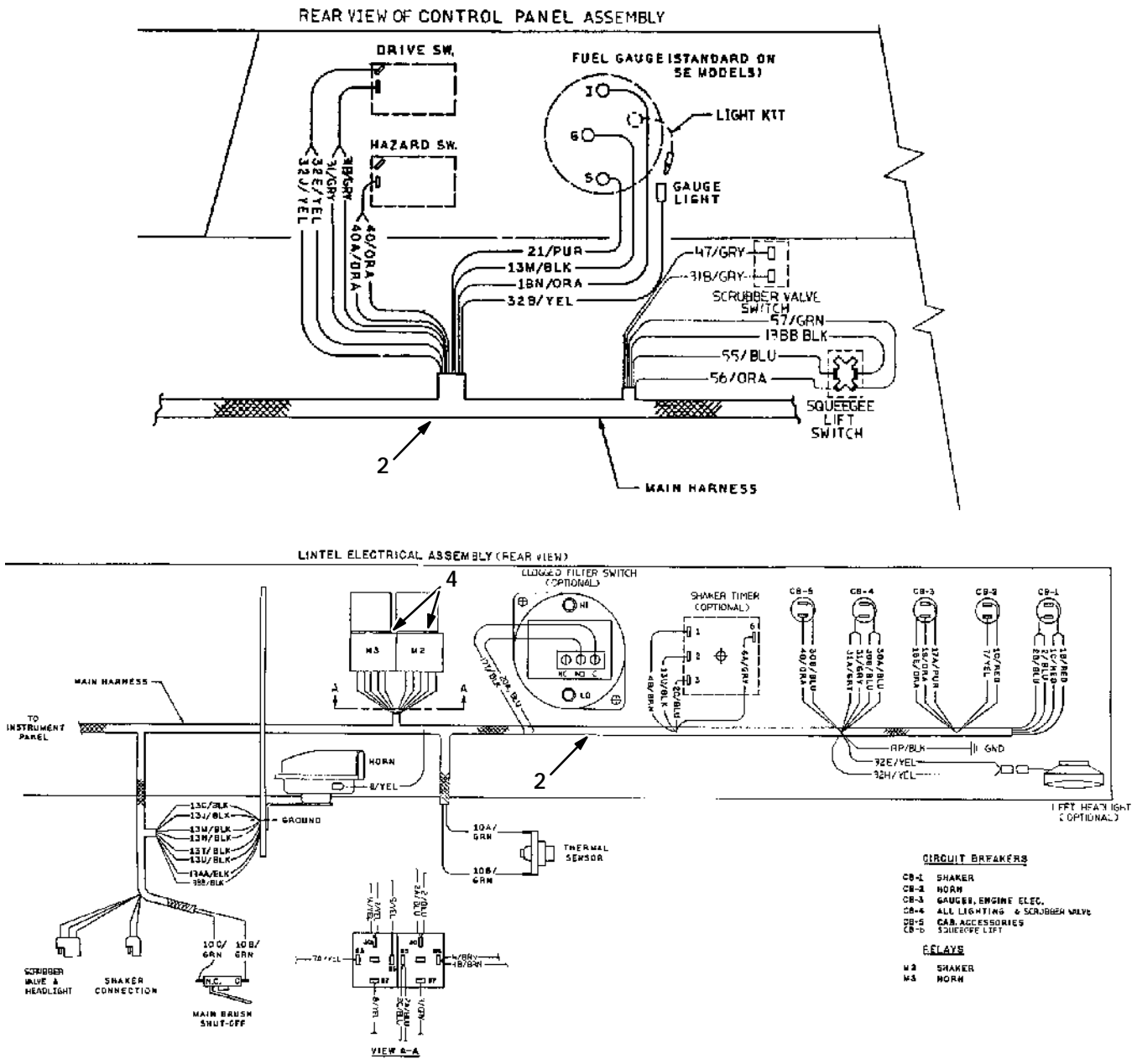


Fig. 21 -- Wire Harnesses Group

04431

Key	TENNANT Part No.	Machine Serial Number	Description	Qty.
1	82723	(00001 -)	Wire Harness, Shaker Low Dump	1
2	07301	(00001 - 000283)	Wire Harness, Main	1
2	07335	(000284 - 037999)	Wire Harness, Main	1
2	30287	(038000 -)	Wire Harness, Main	1
3	07055	(00001 - 000283)	Wire Harness, Instrument Panel	1
3	07561	(000284 -)	Wire Harness, Instrument Panel	1
4	10865	(00001 -)	Relay, Electrical	2
5	51407	(00001 -)	Connector Body	1
	30275	(038000 -)	Wire Harness, Engine	1

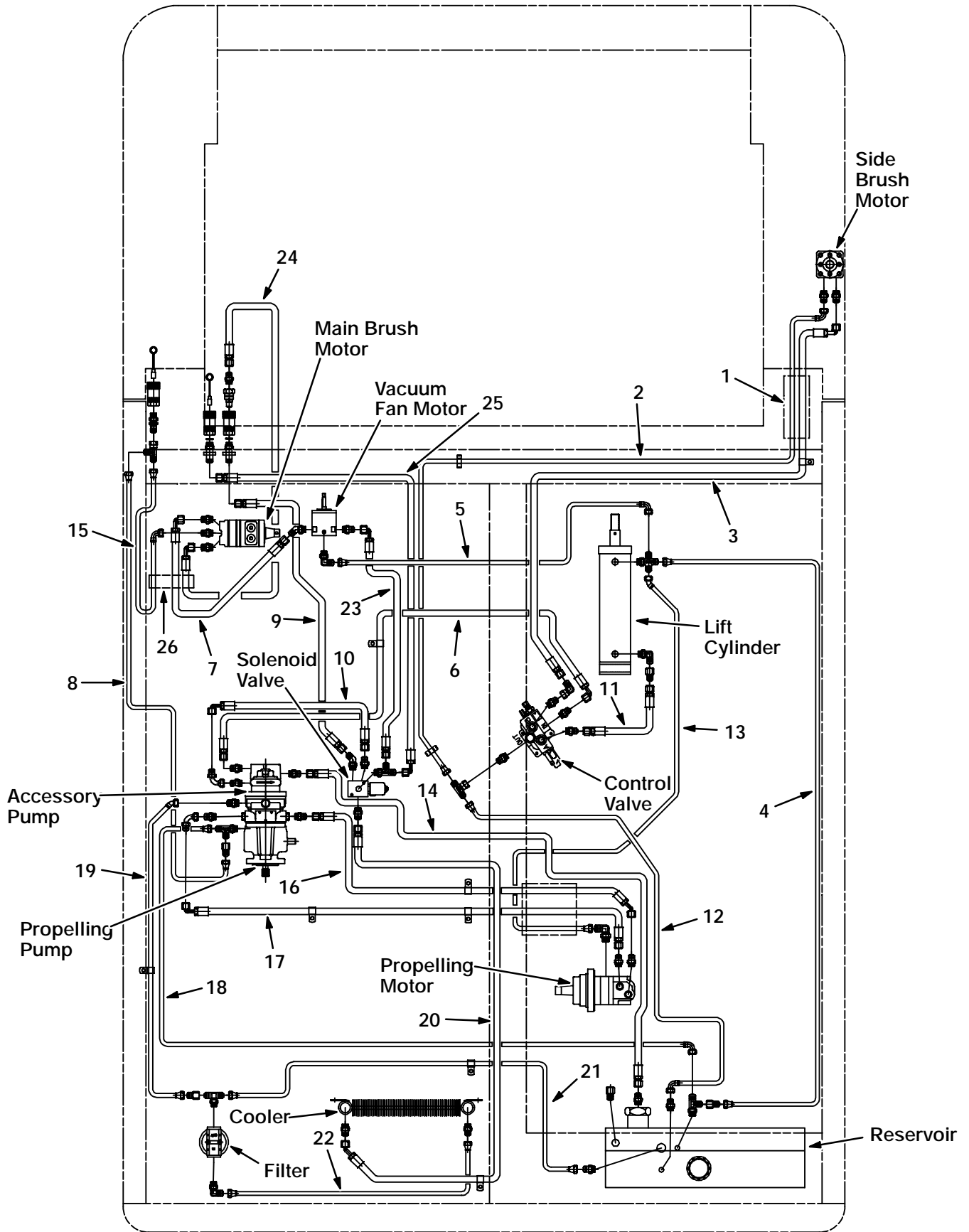


Fig. 22 -- Hydraulic Hoses Group

Fig. 22 -- Hydraulic Hoses Group

Key	TENNANT® Part No.	Machine Serial Number	Description	Qty.
1	82833	(000001-)	Sleeve, Nylon	1
2	82810	(000001-)	Hose, Hydraulic	1
3	82819	(000001-)	Hose, Hydraulic	1
4	82803	(000001-)	Hose, Hydraulic	1
5	82805	(000001-)	Hose, Hydraulic	1
6	57582	(000001-)	Hose, Hydraulic	1
7	02675	(000001-)	Hose, Hydraulic	1
8	32550	(000001-)	Hose, Hydraulic	1
9	02999	(000001-)	Hose, Hydraulic	1
10	82822	(000001-)	Hose, Hydraulic	1
11	82814	(000001-)	Hose, Hydraulic	1
12	82809	(000001-)	Hose, Hydraulic	1
13	02642	(000001-)	Hose, Hydraulic	1
14	82046	(000001-)	Hose, Hydraulic	1
15	82806	(000001-)	Hose, Hydraulic	1
16	82823	(000001-)	Hose, Hydraulic	1
17	82826	(000001-)	Hose, Hydraulic	1
18	02683	(000001-)	Hose, Hydraulic	1
19	02684	(000001-)	Hose, Hydraulic	1
20	82821	(000001-)	Hose, Hydraulic	1
21	02685	(000001-)	Hose, Hydraulic	1
22	57568	(000001-)	Hose, Hydraulic	1
23	82840	(000001-037999)	Hose, Hydraulic	1
23	19636	(038000-)	Hose, Hydraulic	1
24	02676	(000001-)	Hose, Hydraulic	1
25	03001	(000001-)	Hose, Hydraulic	1
26	82830	(000001-)	Sleeve, Nylon	1

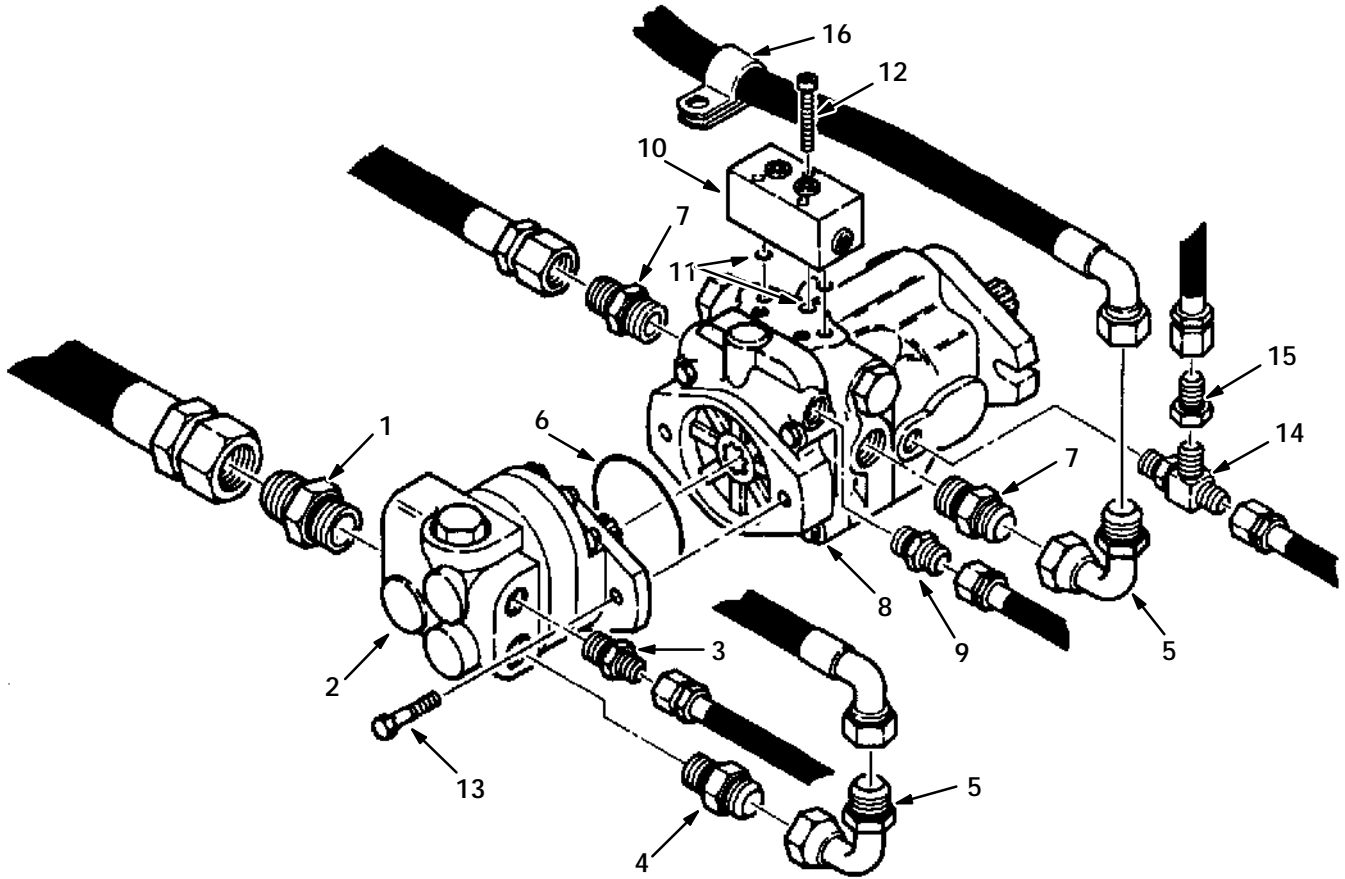


Fig. 23 -- Hydraulic Pumps Group

04433

Key	TENNANT Part No.	Machine Serial Number	Description	Qty.
1	52929	(000001-)	Fitting, Straight	1
2	82205	(000001-)	Pump, Hydraulic (See Hydraulic Components)	1
3	55686	(000001-)	Fitting, Straight	1
4	06750	(000001-)	Fitting, Straight	1
5	57994	(000001-)	Fitting, Elbow	2
6	65145-1	(000001-)	O-Ring	
7	42260	(000001-)	Fitting, Straight	2
8	02703	(000001-)	Pump, Hydraulic (See Hydraulic Components)	1
9	44869	(000001-)	Fitting, Straight	1
10	82767	(000001-)	Valve, Hydraulic	1
11	58395	(000001-)	O-Ring	
12	82764	(000001-)	Screw, Socket	3
13	82842	(000001-)	Screw, Nylon Hex	2
14	76316	(000001-)	Fitting, Tee	1
15	47752	(000001-)	Fitting, Straight	1
16	58366	(000001-)	Clamp, Hose Support	1

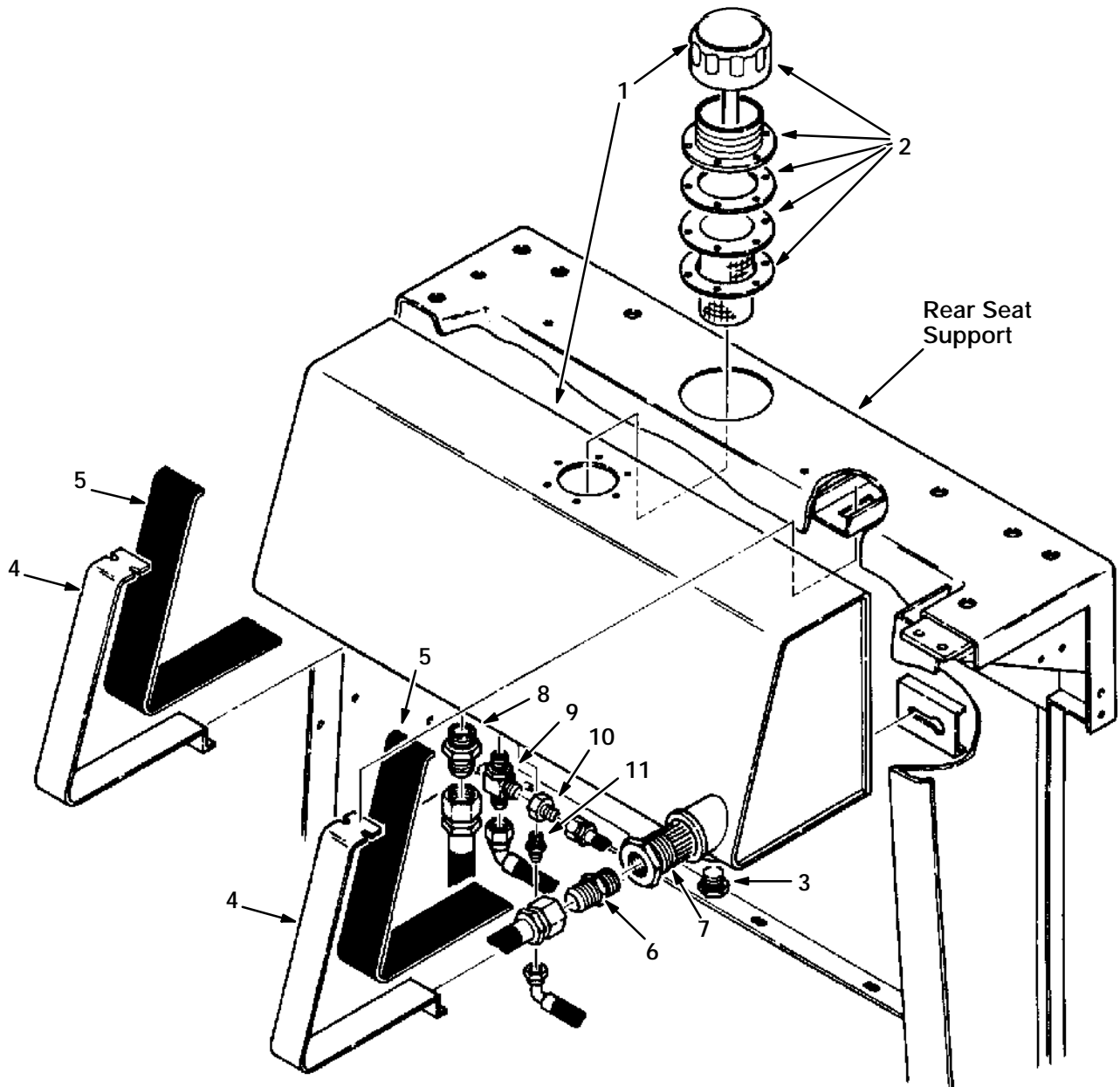


Fig. 24 -- Hydraulic Reservoir Group

04434

Key	TENNANT® Part No.	Machine Serial Number	Description	Qty.
1	82838	(000001-)	Reservoir Assembly, Hydraulic	1
2	82780	(000001-)	Breather, Filler	1
3	40362	(000001-)	Fitting, Plug	1
4	82779	(000001-)	Strap, Retaining	2
5	82837	(000001-)	Strap, Isolator	2
6	52929	(000001-)	Fitting, Straight	1
7	82784	(000001-)	Strainer, Suction	1
8	42260	(000001-)	Fitting, Straight	1
9	76316	(000001-)	Fitting, Tee	1
10	47752	(000001-)	Fitting, Straight	1
11	56690	(000001-)	Fitting, Straight	1

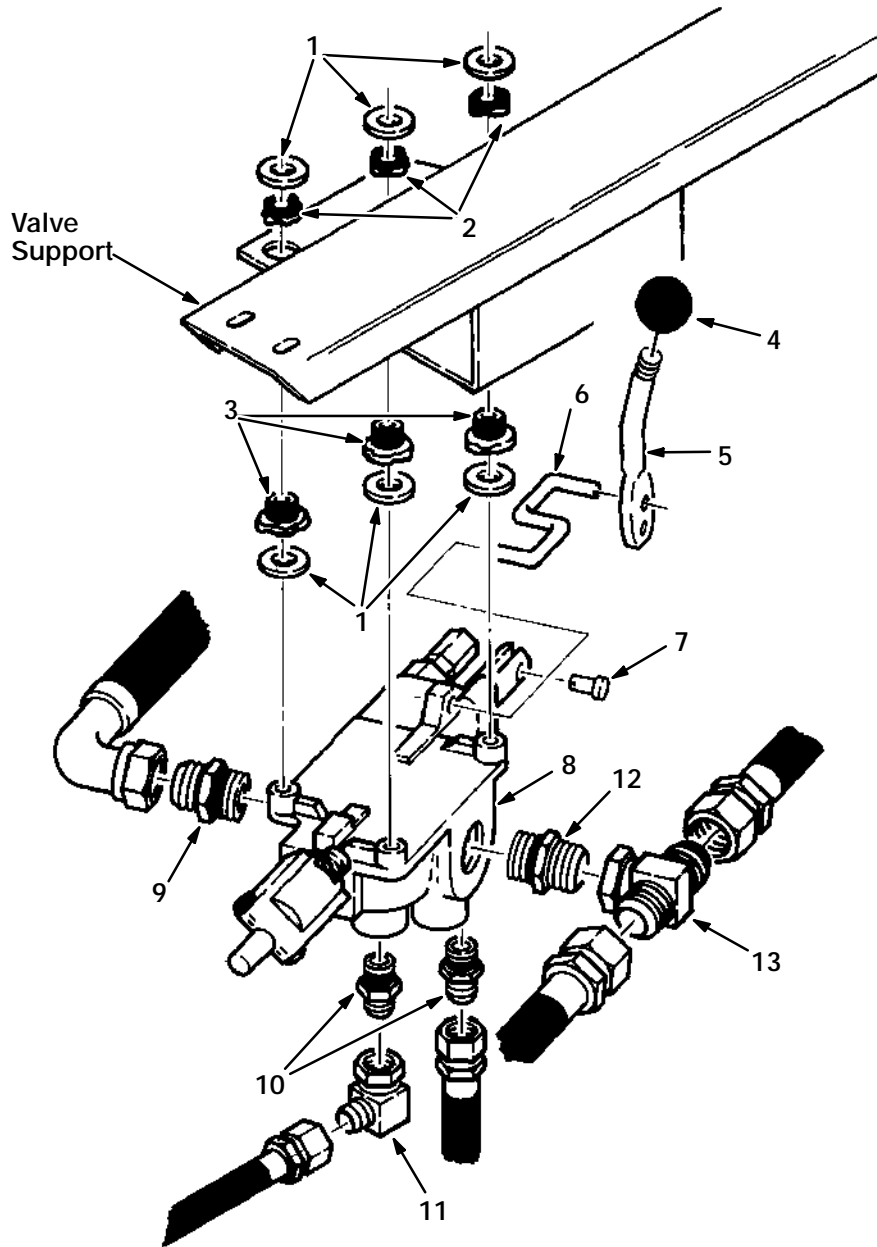


Fig. 25 -- Hydraulic Control Valve Group

04435

Key	TENNANT Part No.	Machine Serial Number	Description	Qty.
1	30013	(000001-)	Washer	6
2	62172	(000001-)	Ring	3
3	62173	(000001-)	Bushing, Isolator	3
4	26156	(000001-)	Knob	1
5	02687	(000001-)	Handle, Valve Control	1
6	82762	(000001-)	Link, S	1
7	14605	(000001-)	Pin, Clevis	1
8	62550	(000001-)	Valve, Hydraulic (See Hydraulic Components)	1
9	57984	(000001-)	Fitting, Straight	1
10	55686	(000001-)	Fitting, Straight	2
11	39210	(000001-)	Fitting, Elbow	1
12	47508	(000001-)	Fitting, Straight	1
13	35586	(000001-)	Fitting, Tee	1

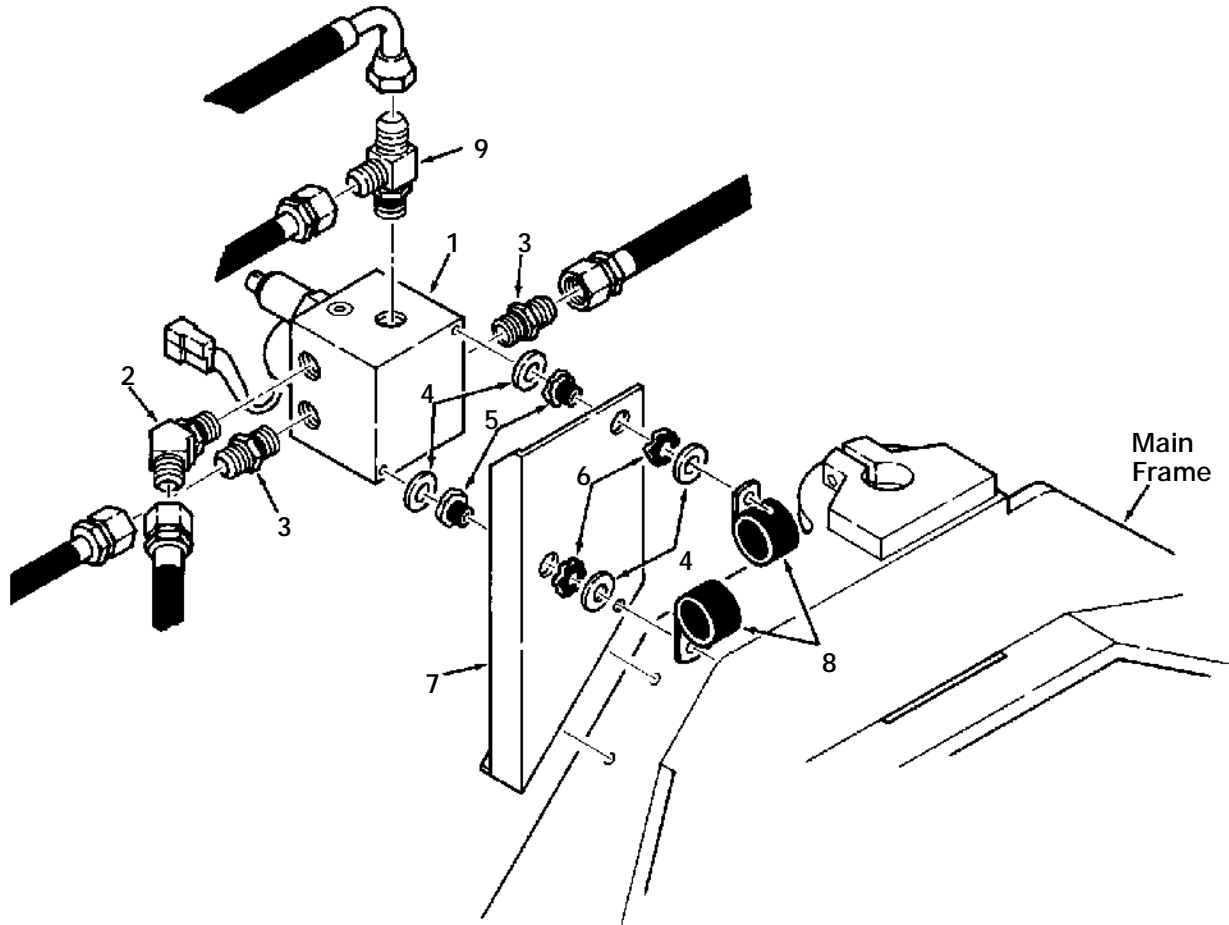


Fig. 26 -- Hydraulic Solenoid Valve Group

04436

Key	TENNANT Part No.	Machine Serial Number	Description	Qty.
1	82754	(000001-)	Valve, Hydraulic Solenoid (See Hyd. Components)	1
2	42226	(000001-)	Fitting, Elbow, 45°	1
3	62390	(000001-)	Fitting, Straight	2
4	30013	(000001-)	Washer	4
5	62173	(000001-)	Bushing, Isolator	2
6	62172	(000001-)	Ring	2
7	82795	(000001-)	Bracket, Solenoid Valve	1
8	58366	(000001-)	Clamp, Support	2
9	40755	(000001-)	Fitting, Tee	1

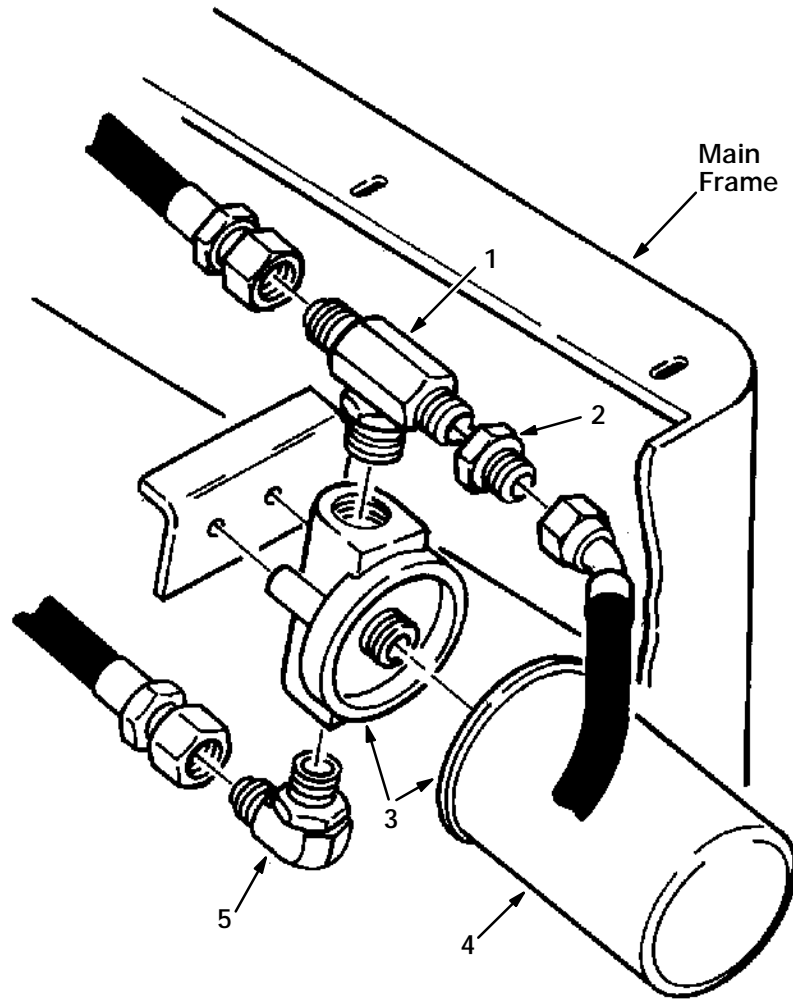


Fig. 27 -- Hydraulic Filter Group

04437

Key	TENNANT® Part No.	Machine Serial Number	Description	Qty.
1	02686	(000001-)	Fitting, Tee	1
2	78143	(000001-)	Fitting, Straight	1
3	55619	(000001-)	Filter Assembly	1
4	55740	(000001-)	Element, Filter	1
5	46481	(000001-)	Fitting, Elbow	1

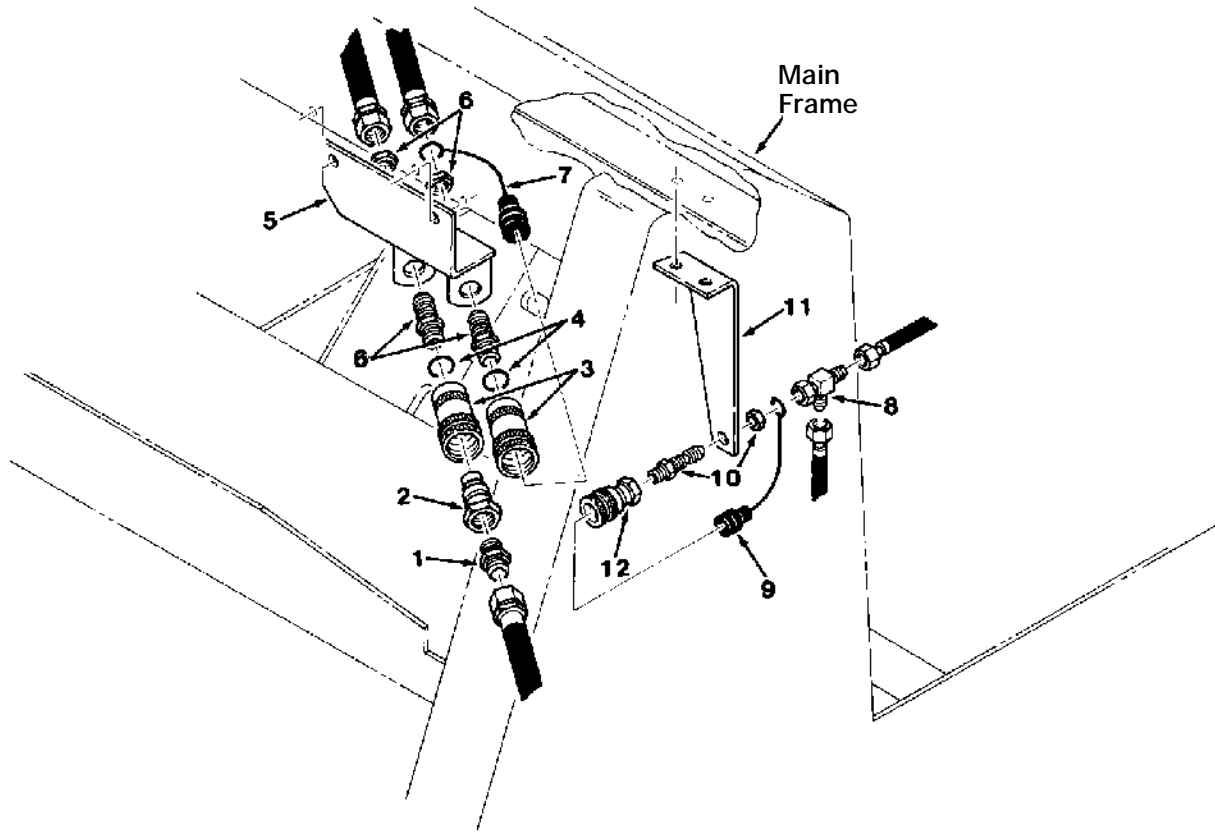


Fig. 28 -- Hydraulic Couplings Group

04438

Key	TENNANT® Part No.	Machine Serial Number	Description	Qty.
1	44869	(000001-)	Fitting, Straight	1
2	65084-1	(000001-)	Fitting, Coupling Half, Male	1
3	65084-2	(000001-)	Fitting, Coupling Half, Female	2
4	77006	(000001-)	Seal, O-Ring	2
5	03004	(000001-)	Bracket, Scrubber	1
6	82918	(000001-)	Fitting, Straight	2
7	82620	(000001-)	Plug, Dust	1
8	57988	(000001-)	Fitting, Tee	1
9	33797	(000001-)	Plug, Dust	1
10	82621	(000001-)	Fitting, Straight	1
11	03006	(000001-)	Bracket, Case Drain, Scrubber	1
12	34414	(000001-)	Fitting, Coupling, Female	1

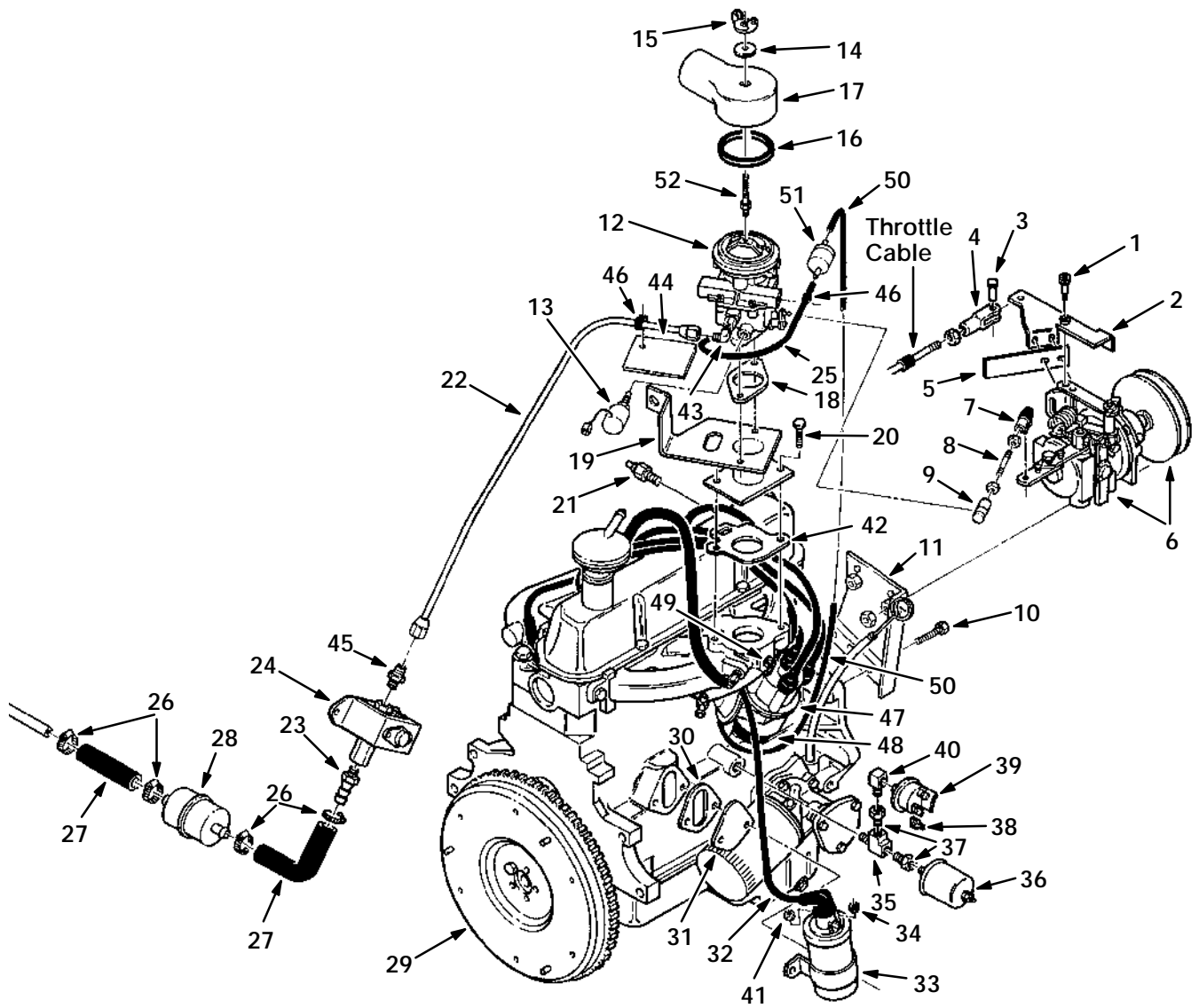


Fig. 29 -- Engine Group

Fig. 29 -- Engine Group

Key	TENNANT® Part No.	Machine Serial Number	Description	Qty.
1	40823	(000001-037999)	Screw, Shoulder	1
2	03189	(000001-037999)	Arm, Governor	1
3	14605	(000001-037999)	Pin, Clevis	1
4	14595-1	(000001-037999)	Clevis, Adjustable	1
5	57392	(000001-037999)	Spring, Flat	1
6	03152	(000001-037999)	Governor, Mechanical	1
7	14601	(000001-037999)	Ball Joint	1
8	07586	(000001-037999)	Stud	1
9	50332-1	(000001-037999)	Ball Joint	1
10	39284	(000001-037999)	Screw, Hex, M10	3
11	07324	(000001-037999)	Bracket, Governor	1
12	07341	(000001-037999)	Carburetor	1
	02738	(000001-037999)	Repair Kit, Carburetor	1
13	07700	(000001-037999)	Valve, Anti-Dieseling	1
14	07251	(000001-037999)	Washer, Sealing	1
15	07252	(000001-037999)	Nut, Wing, Air Horn	1
16	16738	(000001-037999)	Gasket, Carburetor Air Horn	1
17	57934	(000001-037999)	Adaptor, Carburetor	1
18	54912-8	(000001-037999)	Gasket, Carburetor	1
19	07212	(000001-037999)	Facet, Carburetor Mount	1
20	16931	(000001-037999)	Screw, Hex, M8	1
21	58592	(000001-037999)	Sender, Water Temperature	1
22	57774	(000001-037999)	Line Assembly, Fuel	1
23	82544	(000001-037999)	Fitting, Straight Barbed	1
24	54230	(000001-037999)	Pump, Fuel	1
25	09893	(000001-037999)	Hose, Vacuum	1
26	43844	(000001-037999)	Clamp, Worm Drive	4
27	82526	(000001-037999)	Hose, Fuel Line	2
28	82525	(000001-037999)	Filter, Fuel	1
29	07490	(000001-037999)	Engine	1
30	02887	(000001-037999)	Gasket, Fuel Pump	1
31	54911-28	(000001-037999)	Cover, Fuel Pump	1
32	54911-31	(000001-037999)	Wire, High Tension	1
33	03194	(000001-037999)	Coil Assembly	1
34	41359	(000001-037999)	Nut, Hex, M6	1
35	24929	(000001-037999)	Fitting, Tee	1
36	07175	(000001-037999)	Sending Unit, Oil Pressure	1
37	17414	(000001-037999)	Fitting, Straight	2
38	68106	(000001-037999)	Tab, Terminal	3
39	51805	(000001-037999)	Switch, Oil Pressure	1
40	11984	(000001-037999)	Fitting, Elbow	1
41	50335	(000001-037999)	Nut, Hex, M5	1
42	07105	(000001-037999)	Gasket, Carburetor	1
43	06507	(000001-037999)	Fitting, Elbow	1
44	82534	(000001-037999)	Shield, Drip	1
45	22383	(000001-037999)	Fitting, Straight	1
46	46236	(000001-037999)	Clamp, Cable	2
47	07328	(000001-037999)	Filter, Distributor Cap	1
48	07329	(000001-037999)	Filter, Distributor Breakerless	1
49	02247	(000001-037999)	Plug	1
50	07464	(000001-037999)	Hose, Vacuum	1
51	07492	(000001-037999)	Check Valve	1
52	07250	(000001-037999)	Stud, Air Horn	1

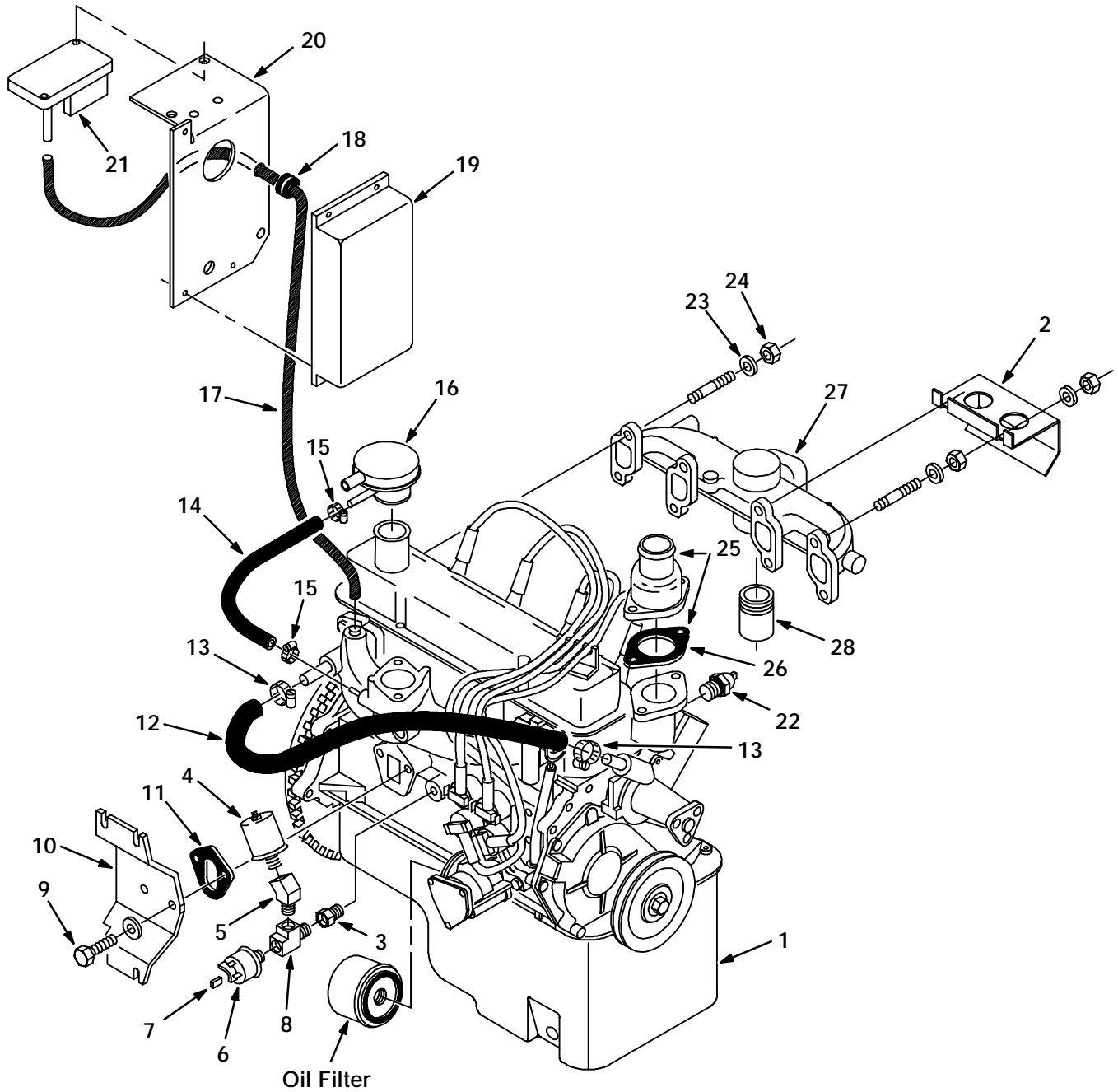


Fig. 30 -- Engine Group, Distributorless (DIS)

Fig. 30 -- Engine Group, Distributorless (DIS)

Key	TENNANT Part No.	Machine Serial Number	Description	Qty.
1	30296	(038000-)	Engine Assembly	1
2	30468	(038181-)	Shield, Exhaust Manifold	1
3	17414	(038000-)	Fitting, Straight	1
4	07175	(038000-)	Sending Unit, Oil Pressure	1
5	24976	(038000-)	Fitting, Elbow 45°	1
6	51805	(038000-)	Switch, Oil Pressure	1
7	68106	(038000-)	Terminal Tab	3
8	26426	(038000-)	Fitting, Tee	1
9	16735	(038000-)	Screw, Hex, M8	2
10	31516	(038000-)	Bracket, Actuator	1
11	02887	(038000-)	Gasket, Fuel Pump	1
12	31543	(038000-)	Hose, Heater	1
13	63810	(038000-)	Clamp, Worm Drive	2
14	76589-2	(038000-)	Hose	1
15	54333	(038000-)	Clamp, Worm drive	2
16	30306	(038000-)	Oil Filler Cap Assembly	1
17	34072	(038000-)	Hose, Vacuum	1
18	10632-11	(038000-)	Grommet	1
19	30377	(038000-)	Control Box	1
20	30393	(038000-)	Bracket, Governor Control	1
21	30305	(038000-)	Ignition Control Assembly	1
22	58592	(038000-)	Temperature Sender, Water	1
23	39349	(038000-)	Washer	8
24	08165	(038000-)	Nut Hex, M8	8
25	19689	(038000-)	Housing, Thermostat	1
26	54911-25	(038000-)	Gasket, Thermostat	1
27	30316	(038000-)	Manifold, Exhaust	1
28	24013	(038000-)	Fitting, Nipple	1

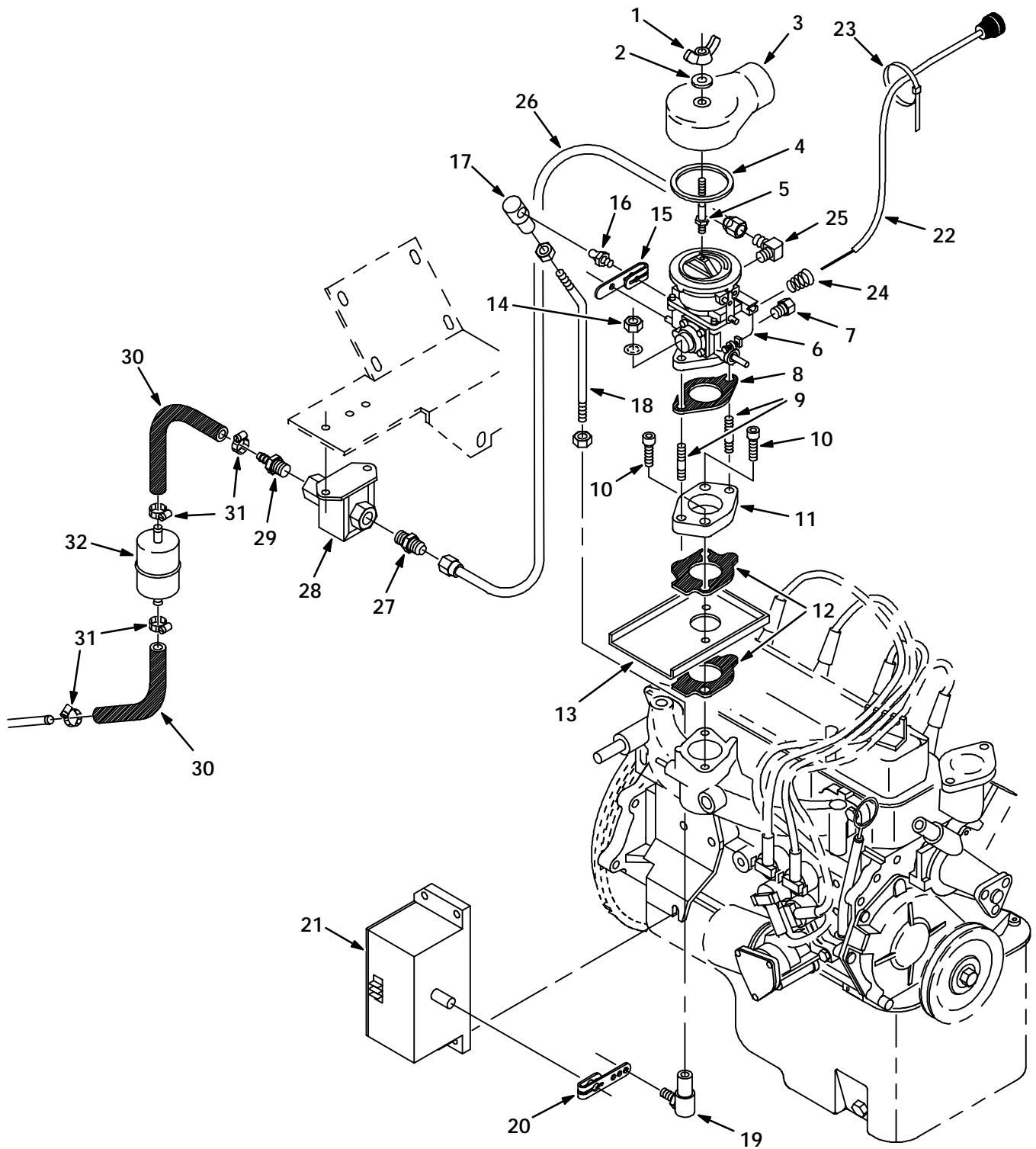


Fig. 31 -- Carburetor Group, Distributorless (DIS)

Fig. 31 -- Carburetor Group, Distributorless (DIS)

Key	TENNANT Part No.	Machine Serial Number	Description	Qty.
1	07252	(038000-)	Wingnut, Air Horn	1
2	07251	(038000-)	Washer, Rubber	1
3	57934	(038000-)	Adaptor, Carburetor	1
4	16738	(038000-)	Gasket, Carburetor Air Horn	1
5	07250	(038000-)	Stud, Air Horn	1
6	30321	(038000-)	Carburetor, Facet	1
	02738	(038000-)	Repair Kit, Carburetor	1
7	30325	(038000-)	Plug, Carburetor	1
8	31542	(038000-)	Gasket, Carburetor	1
9	30324	(038000-)	Stud, M8	2
10	06532	(038000-)	Screw, Socket, M6	2
11	31728	(038000-)	Plate, Mounting	1
12	30312	(038000-)	Gasket, Carburetor	2
13	31550	(038000-)	Shield, Drip	1
14	39311	(038000-)	Nut, Hex, M8	2
15	30451	(038000-)	Lever, Carburetor	1
16	50332-2	(038000-)	Ball Joint, Stud	1
17	50332	(038000-)	Ball Joint	1
18	30320	(038000-)	Rod, Control, Throttle	1
19	14601	(038000-)	Ball Joint	1
20	30318	(038000-)	Lever, Governor	1
21	07539	(038000-)	Actuator, Governor	1
22	30274	(038000-)	Cable, Choke	1
23	49266	(038000-)	Tie, Cable	1
24	58846	(038000-)	Spring, Compression	1
25	06507	(038000-)	Fitting, Elbow	1
26	57774	(038000-)	Fuel Line Assembly	1
27	22383	(038000-)	Fitting, Straight	1
28	19171	(038000-)	Pump, Fuel	1
29	82544	(038000-)	Fitting, Straight	1
30	82526	(038000-)	Hose, Fuel Line	2
31	43844	(038000-)	Clamp, Worm Drive	4
32	82525	(038000-)	Filter, Fuel	1

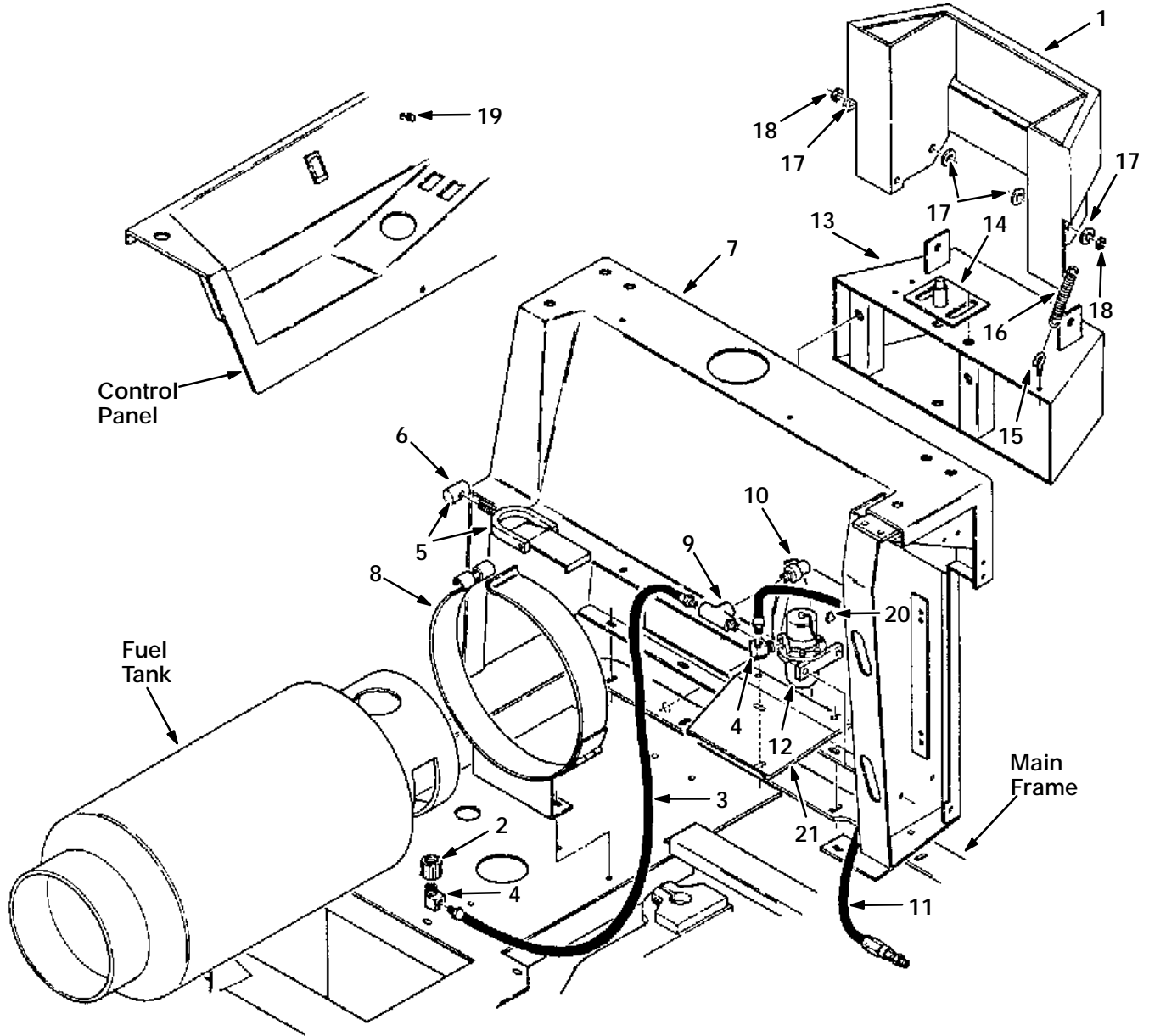


Fig. 32 -- Fuel Tank Bumper Group, LPG

Fig. 32 -- Fuel Tank Bumper Group, LPG

Key	TENNANT® Part No.	Machine Serial Number	Description	Qty.
1	55633	(000001-037999)	Bumper, LPG	1
2	26496	(000001-037999)	Coupling, LPG	1
3	22308-3	(000001-037999)	Hose, LPG	1
4	27048	(000001-037999)	Fitting, Elbow	2
5	53400-1	(000001-037999)	Latch	1
6	53400-4	(000001-037999)	Lug	1
7	82340	(000001-037999)	Support, Rear Seat, LPG	1
8	55653	(000001-037999)	Bracket, Mounting	1
9	56976A	(000001-037999)	Fitting, Tee	1
10	24047	(000001-037999)	Valve, Pressure Relief	1
11	07302	(000001-037999)	Hose, LPG	1
12	33555	(000001-037999)	Fuel Filter Lock	1
	SK1444	(000001-037999)	Repair Kit, Fuel Filter Lock	1
13	82683	(000001-037999)	Bumper, LPG	1
14	55556	(000001-037999)	Bracket, Stud Adjusting	1
15	11893	(000001-037999)	Bolt, Eye	1
16	29499	(000001-037999)	Spring, Tension	1
17	20536-1	(000001-037999)	Washer, Nylon	4
18	46231	(000001-037999)	Sleeve	2
19	47178-11	(000001-037999)	Plugbutton	1
20	68106	(000001-037999)	Tab, Terminal	1
21	02696	(000001-037999)	Shield, Fuel Line, LPG	1

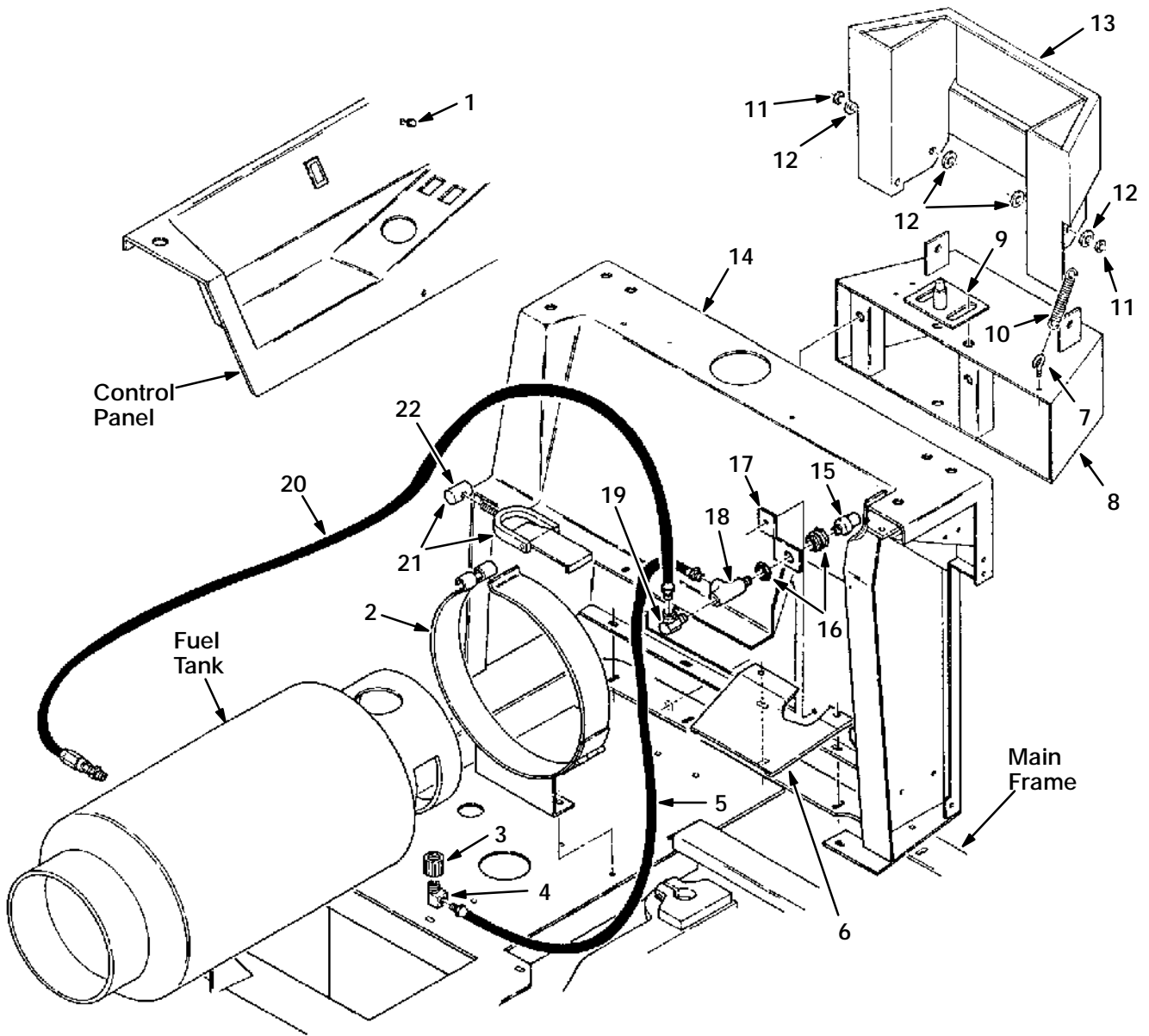


Fig. 33 -- Fuel Tank Bumper Group, Distributorless (DIS) LPG

Fig. 33 -- Fuel Tank Bumper Group, Distributorless (DIS) LPG

Key	TENNANT® Part No.	Machine Serial Number	Description	Qty.
1	47178-11	(038000-)	Plugbutton	1
2	55653	(038000-)	Bracket, Mounting	1
3	26496	(038000-)	Coupling, LPG	1
4	27048	(038000-)	Fitting, Elbow	1
5	22308-3	(038000-)	Hose, LPG	1
6	02696	(038000-)	Shield, Fuel Line, LPG	1
7	11893	(038000-)	Bolt, Eye	1
8	82683	(038000-)	Bumper, LPG	1
9	55556	(038000-)	Bracket, Stud Adjusting	1
10	29499	(038000-)	Spring, Tension	1
11	46231	(038000-)	Sleeve	2
12	20536-1	(038000-)	Washer, Nylon	4
13	55633	(038000-)	Bumper, LPG	1
14	30375	(038000-)	Support, Rear Seat, LPG	1
15	24047	(038000-)	Valve, Pressure Relief	1
16	78122	(038000-)	Fitting, Bulkhead	1
17	30361	(038000-)	Bracket	1
18	56976A	(038000-)	Fitting, Tee	1
19	11442-1	(038000-)	Fitting, Elbow	1
20	19760	(038000-)	Hose, LPG	1
21	53400-1	(038000-)	Latch	1
22	53400-4	(038000-)	Lug	1

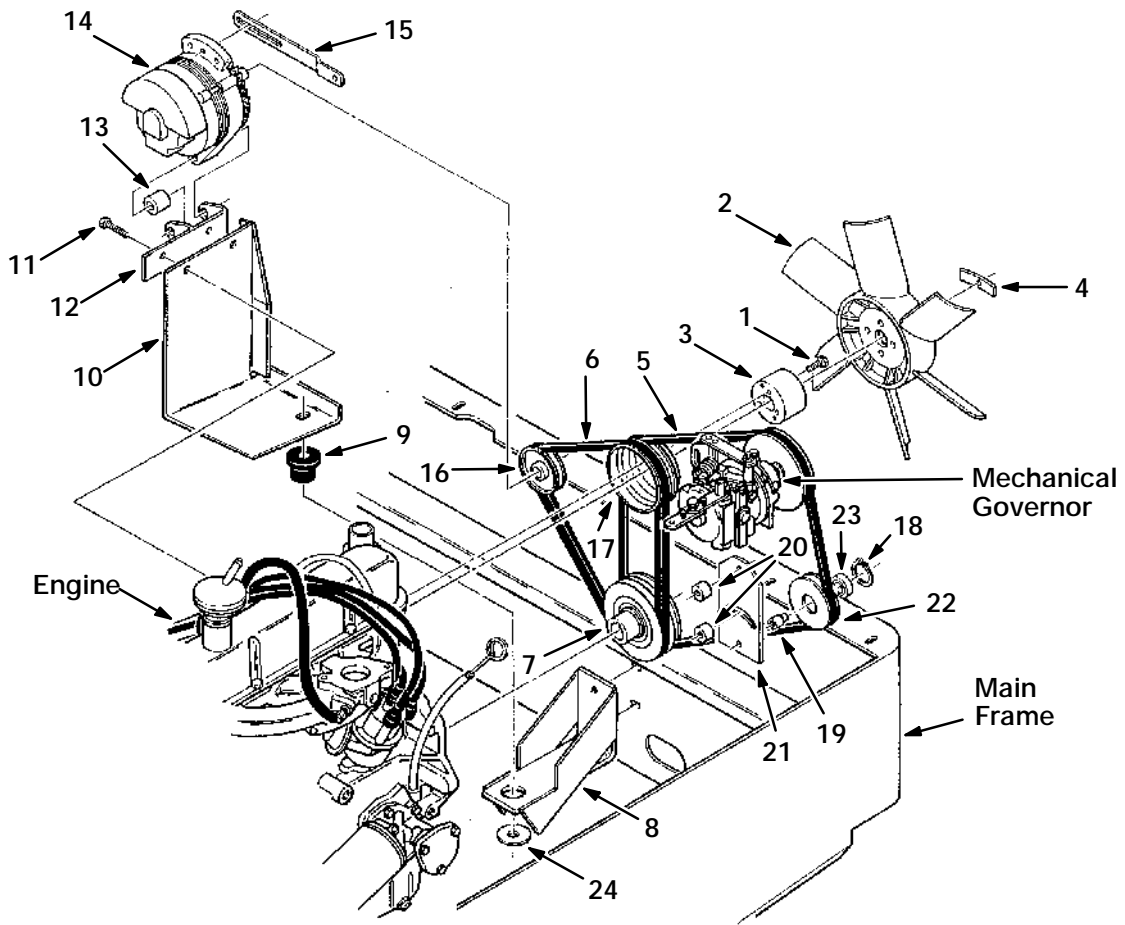


Fig. 34 -- Sheaves and Belts Group

04440

Key	TENNANT® Part No.	Machine Serial Number	Description	Qty.
1	07255	(00001-037999)	Screw, Socket	3
2	82537	(00001-037999)	Fan	1
3	07253	(00001-037999)	Spacer, Fan	1
4	07254	(00001-037999)	Strap, Fan Support	1
5	17759	(00001-037999)	V-Belt	1
6	07189	(00001-037999)	V-Belt	1
7	03157	(00001-037999)	Pulley, Crankshaft	1
8	07536	(00001-037999)	Mount, Motor	1
9	51176	(00001-037999)	Dampner, Engine	1
10	03183	(00001-037999)	Mount, Front Engine	1
11	39284	(00001-037999)	Screw, Hex, M10	2
12	07128	(00001-037999)	Bracket, Alternator	1
13	54959	(00001-037999)	Spacer	1
14	03233	(00001-037999)	Alternator	1
15	07113	(00001-037999)	Arm, Alternator	1
16	54914	(00001-037999)	Sheave	1
17	03158	(00001-037999)	Pulley, Water Pump	1
18	04078	(00001-037999)	Ring, Retaining	1
19	07282	(00001-037999)	Spacer, Bearing	1
20	07274	(00001-037999)	Spacer, Idler Mount	2
21	07280	(00001-037999)	Arm, Idler	1
22	58555	(00001-037999)	Sheave, Idler	1
23	57746	(00001-037999)	Bearing, Ball	1
24	32492	(00001-037999)	Washer	1

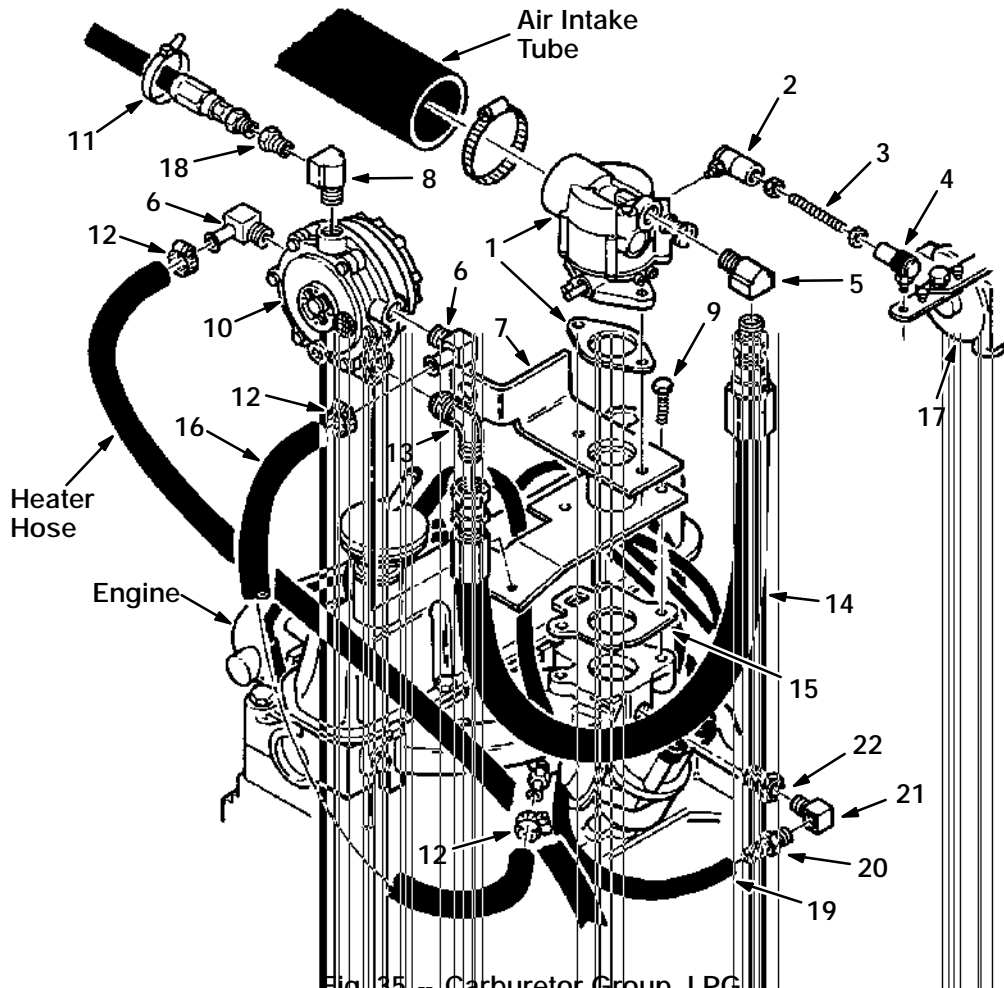


Fig. 35 -- Carburetor Group, LPG

04449

Key	TENNANT® Part No.	Machine Serial Number	Description	Qty.
1	07104	(000001-037999)	Carburetor, LPG	1
	55975	(000001-037999)	Repair Kit, Carburetor, LPG	1
2	50332	(000001-037999)	Ball Joint	1
3	04140	(000001-037999)	Stud	1
4	14601	(000001-037999)	Ball Joint	1
5	07602	(000001-037999)	Fitting, Elbow	1
6	51839	(000001-037999)	Fitting, Elbow	2
7	03227	(000001-037999)	Mount, Carburetor, LPG	1
8	27048	(000001-037999)	Fitting, Elbow	1
9	16931	(000001-037999)	Screw, Hex, M8	2
10	54930	(000001-037999)	Vaporizer, LPG	1
	55998	(000001-037999)	Repair Kit, Vaporizer	1
11	49263	(000001-037999)	Tie, Cable	3
12	63810	(000001-037999)	Clamp, Worm Drive	4
13	07598	(000001-037999)	Fitting, Elbow	1
14	07597	(000001-037999)	Hose, LPG	1
15	07105	(000001-037999)	Gasket, Carburetor	1
16	07103	(000001-037999)	Hose, Heater	1
17	03152	(000001-037999)	Governor, Mechanical, LPG	1
18	16564	(000001-037999)	Adapter1	1
19	09893	(000001-037999)	Hose, Vacuum	1
20	40607	(000001-037999)	Fitting, Straight	1
21	11984	(000001-037999)	Fitting, Elbow	1
22	17414	(000001-037999)	Fitting, Straight	1

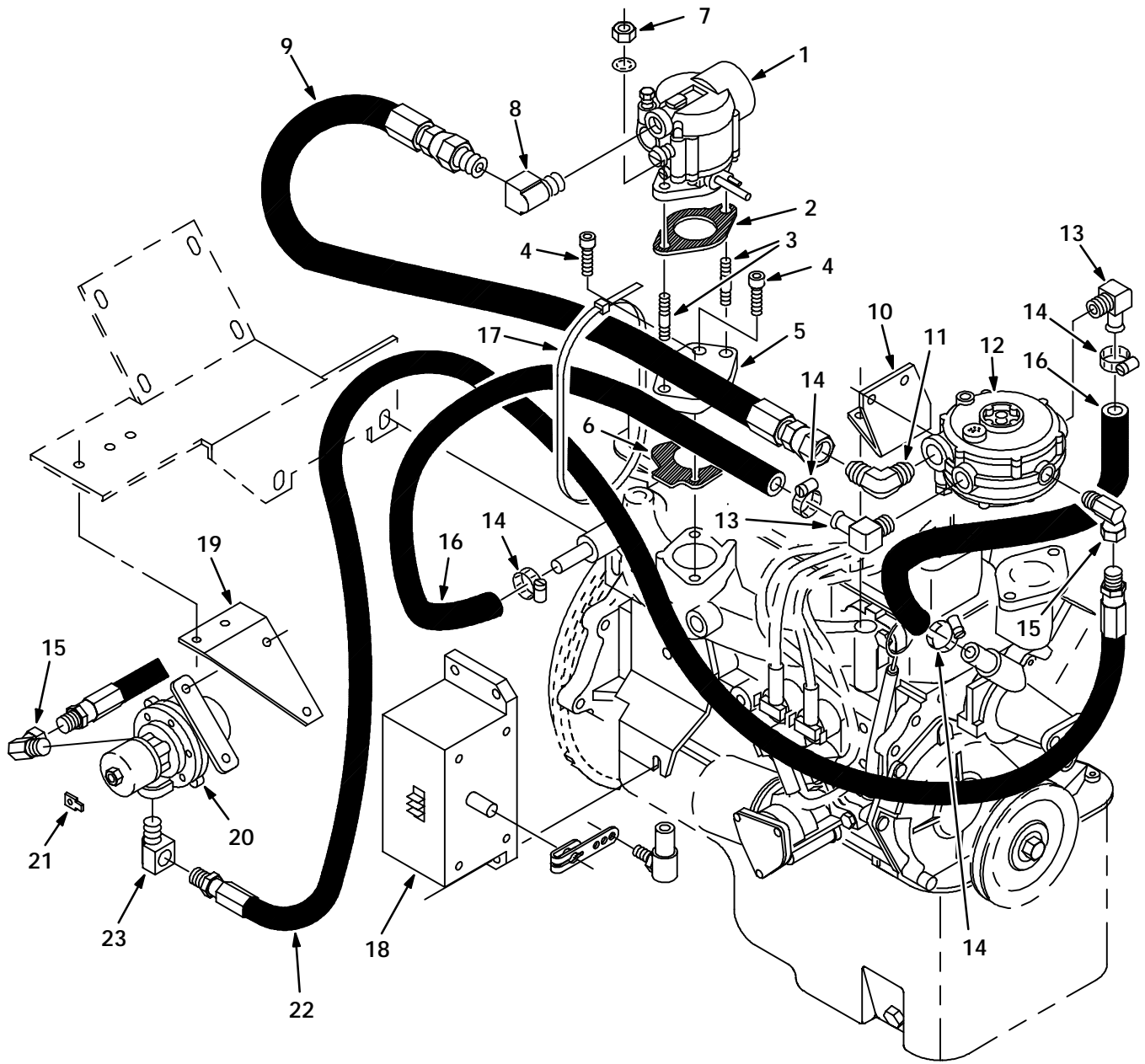


Fig. 36 -- Carburetor Group, Distributorless (DIS) LPG

Fig. 36 -- Carburetor Group, Distributorless (DIS) LPG

Key	TENNANT Part No.	Machine Serial Number	Description	Qty.
1	30322	(038000-)	Carburetor, LPG	1
	55975	(038000-)	Repair Kit, Carburetor	1
2	31542	(038000-)	Gasket, Carburetor	1
3	30324	(038000-)	Stud, M8	2
4	06532	(038000-)	Screw, Socket, M6	2
5	31728	(038000-)	Plate, Carburetor Mounting	1
6	30312	(038000-)	Gasket, Carburetor	1
7	39311	(038000-)	Nut, Hex, M8	2
8	07602	(038000-)	Fitting, Elbow	1
9	07597	(038000-)	Hose, LPG	1
10	30326	(038000-)	Bracket, Vaporizer	1
11	07598	(038000-)	Fitting, Elbow	1
12	54930	(038000-)	Vaporizer, LPG	1
	55998	(038000-)	Repair Kit, Vaporizer	1
13	51839	(038000-)	Fitting, Elbow	2
14	63810	(038000-)	Clamp, Worm Drive	4
15	11442-1	(038000-)	Fitting, Elbow	1
16	31543	(038000-)	Hose, Heater	1
17	49263	(038000-)	Tie, Cable	2
18	07539	(038000-)	Actuator, Governor	1
19	30387	(038000-)	Bracket, Lp Valve	1
20	33555	(038000-)	Fuel Filter Lock	1
	SK1444	(038000-)	Repair Kit, Fuel Filter Lock	1
21	68106	(038000-)	Tab, Terminal	1
22	22308	(038000-)	Hose, LPG	1
23	27048	(038000-)	Fitting, Elbow	1

LOW DUMP MODEL PARTS

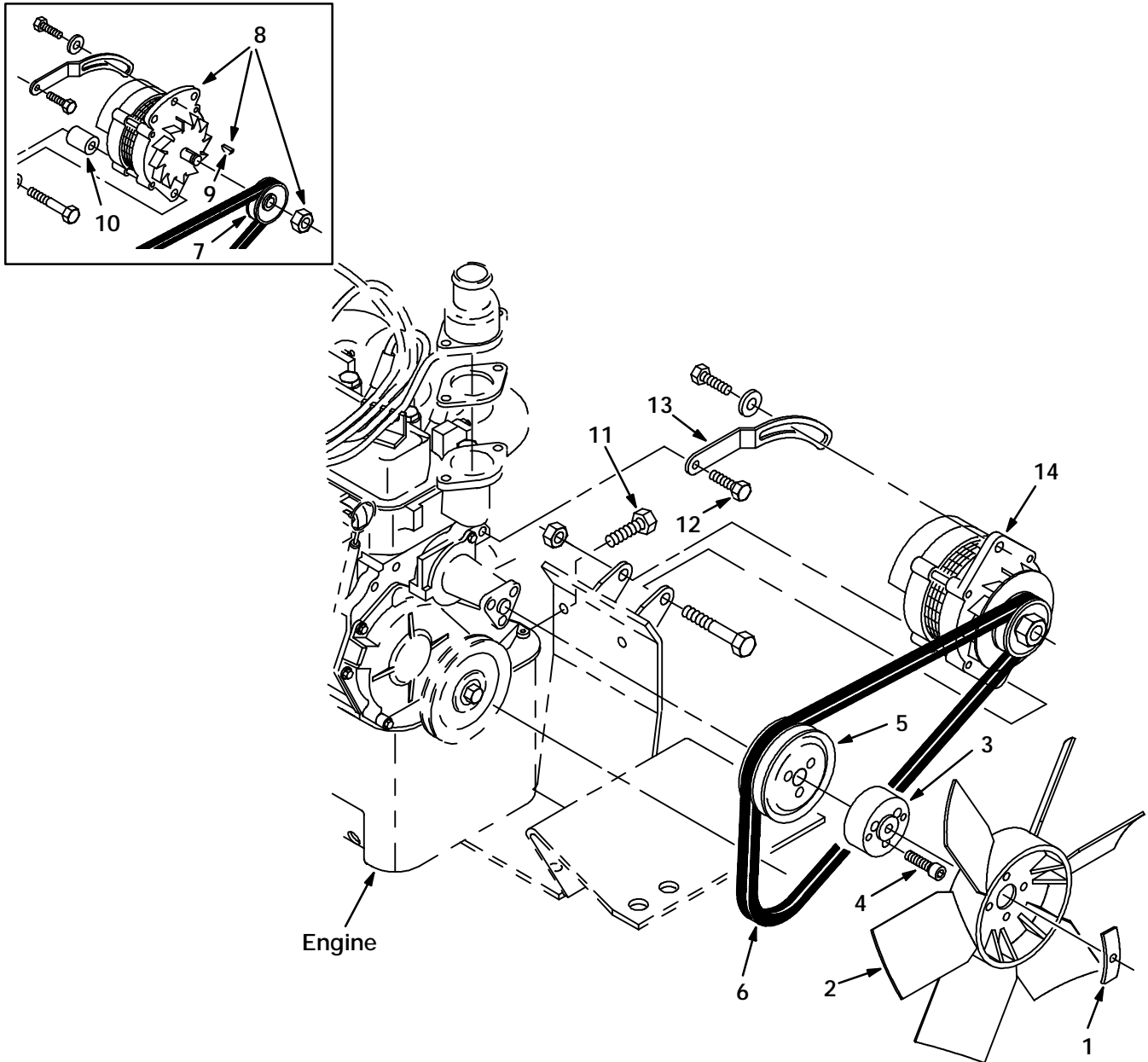


Fig. 37 -- Engine Fan and Alternator Group, Distributorless (DIS)

06025

Key	TENNANT Part No.	Machine Serial Number	Description	Qty.
1	07254	(038000-)	Strap, Fan Support	1
2	82537	(038000-)	Fan, Pusher	1
3	31534	(038000-)	Spacer, Fan	1
4	06532	(038000-)	Screw, Socket, M6	3
5	03158	(038000-)	Pulley, Water Pump	1
6	07189	(038000-)	V-Belt	1
7	54914	(038000-038180)	Sheave	1
8	03233	(038000-038180)	Alternator	1
9	00500-5	(038000-038180)	Key, Woodruff	1
10	54959	(038000-038180)	Spacer	1
11	39283	(038000-)	Screw, Hex, M10	2
12	16931	(038000-)	Screw, Hex, M8	1
13	31526	(038000-)	Arm, Alternator	1
14	30458	(038181-)	Alternator	1

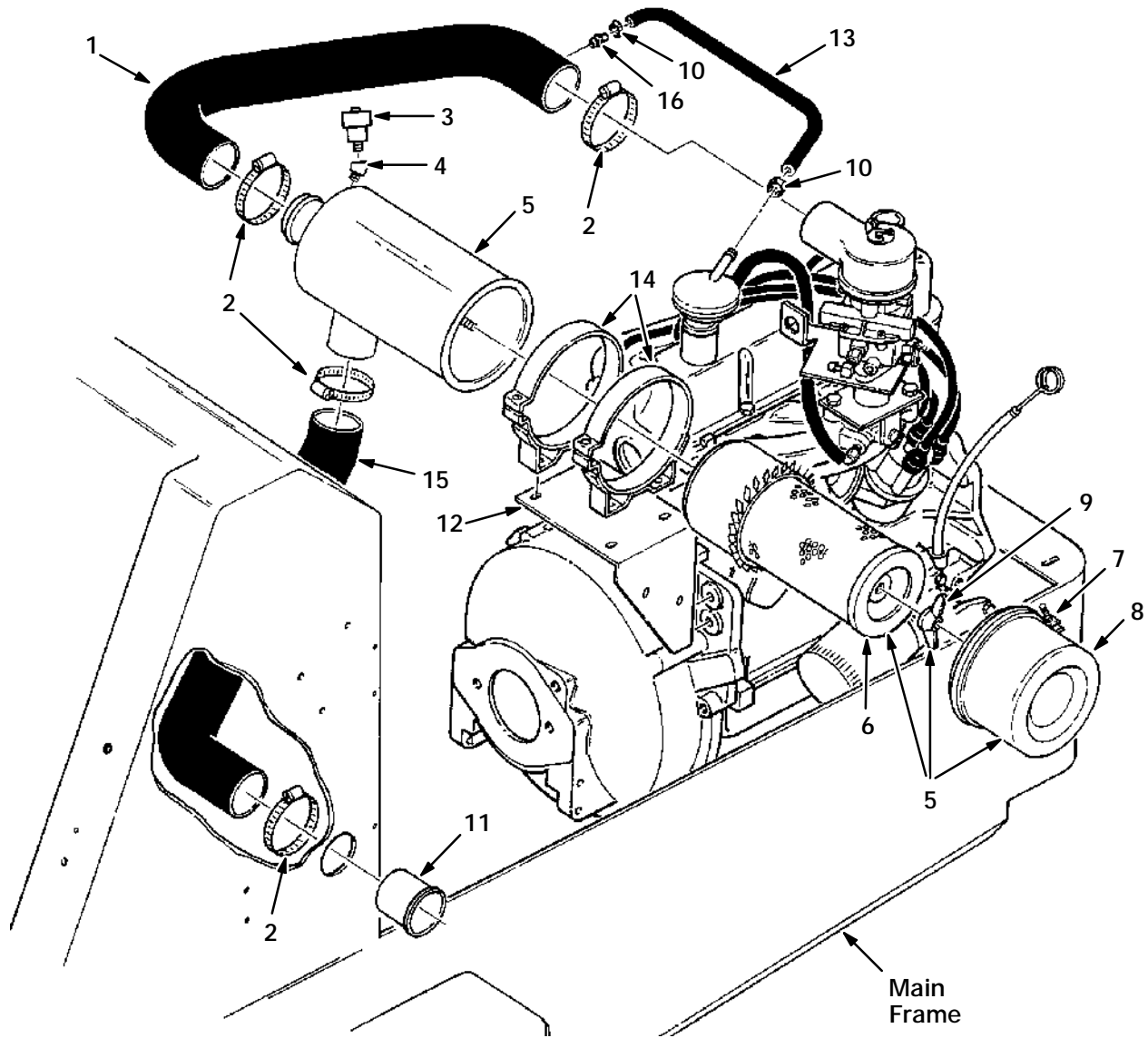


Fig. 38 -- Air Cleaner Group

04441

Key	TENNANT® Part No.	Machine Serial Number	Description	Qty.
1	82552	(000001-037999)	Tube, Air Intake	1
2	14432	(000001-037999)	Clamp, Worm Drive	4
3	82685	(000001-037999)	Indicator, Service Air Filter	1
4	24976	(000001-037999)	Fitting, Elbow, 45°	1
5	58538	(000001-037999)	Cleaner, Air	1
6	58120	(000001-037999)	Element, Air Filter	1
7	02740	(000001-037999)	Clamp Assembly	1
8	02740	(000001-037999)	Cup Assembly	1
9	02740	(000001-037999)	Nut, Wing	1
10	54333	(000001-037999)	Clamp, Worm Drive	2
11	58346	(000001-037999)	Tube, Air Intake	1
12	82555	(000001-037999)	Bracket, Air Cleaner	1
13	07362	(000001-037999)	Hose, PCV	1
14	51560-3	(000001-037999)	Clamp, Mounting	2
15	82676	(000001-037999)	Hose, Air Intake, LPG	1
16	82533	(000001-037999)	Spud	1

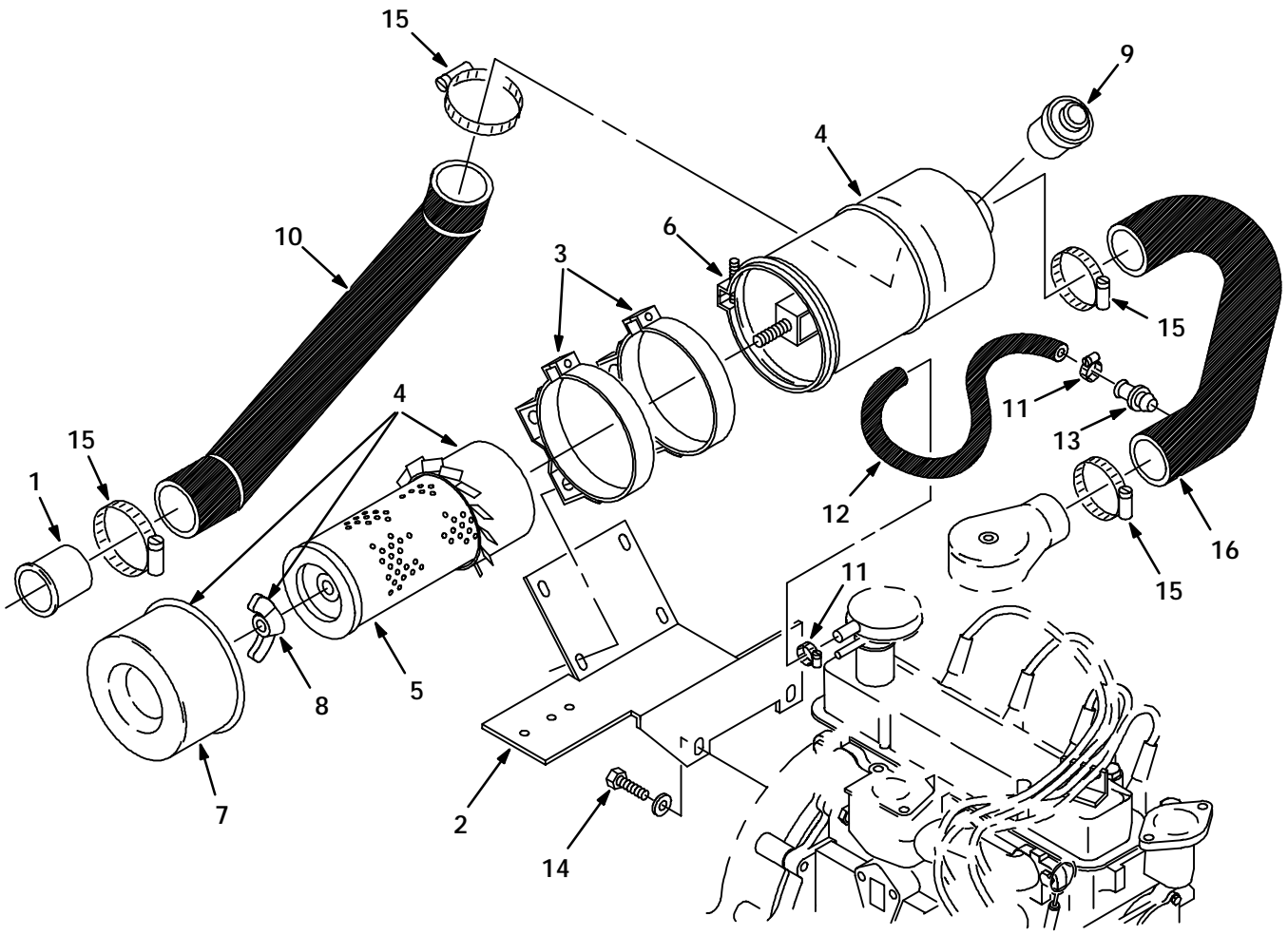


Fig. 39 -- Air Cleaner Group, Distributorless (DIS)

06028

Key	TENNANT Part No.	Machine Serial Number	Description	Qty.
1	58346	(038000-)	Tube, Air Intake	1
2	31511	(038000-)	Bracket, Air Cleaner Mounting	1
3	51560-3	(038000-)	Clamp, Mounting	2
4	58538	(038000-)	Air Cleaner	1
5	58120	(038000-)	Element, Air Filter	1
6	02740	(038000-)	Clamp Assembly	1
7	02741	(038000-)	Cup Assembly	1
8	07562	(038000-)	Nut, Wing	1
9	82685	(038000-)	Indicator, Air Filter Service	1
10	82676	(038000-)	Hose, Air Intake	1
11	54333	(038000-)	Clamp, Worm Drive	2
12	31515	(038000-)	Hose, PCV	1
13	82533	(038000-)	Spud	1
14	39284	(038000-)	Screw, Hex, M10	2
15	14432	(038000-)	Clamp, Worm Drive	4
16	31486	(038000-)	Hose, Air Intake	1

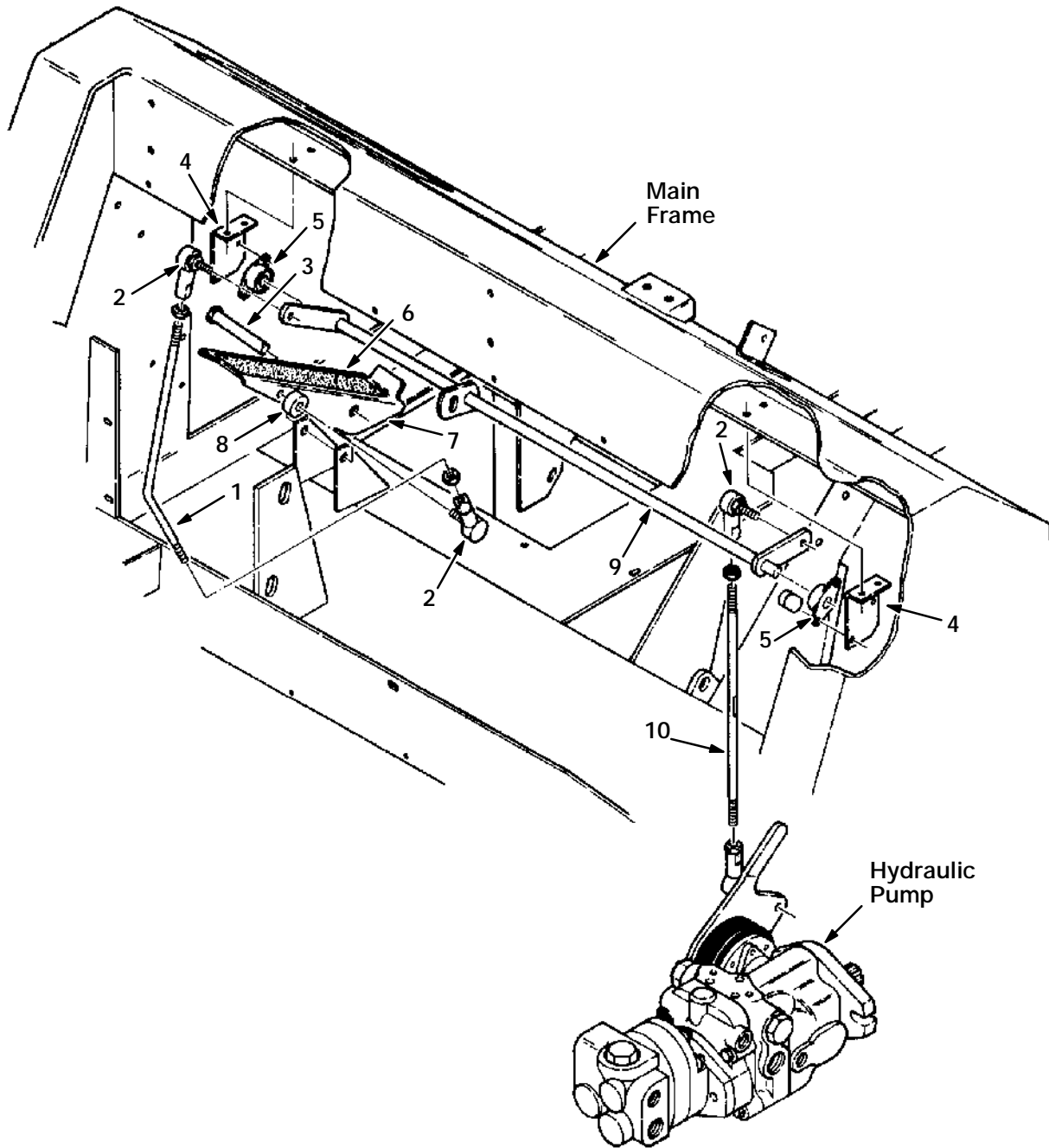


Fig. 40 -- Directional Control Group

04443

Key	TENNANT® Part No.	Machine Serial Number	Description	Qty.
1	82748	(00001-037999)	Rod, Accelerator Control	1
2	50493	(00001-037999)	Ball Joint	3
3	23683	(00001-037999)	Pin, Clevis	1
4	53351A	(00001-037999)	Support, Control Rod	2
5	53352	(00001-037999)	Bearing, Flange	2
6	82839	(00001-037999)	Pad, Tread	1
7	82836	(00001-037999)	Pedal, Propel	1
8	69462	(00001-037999)	Sleeve	1
9	82793	(00001-037999)	Rod, Drive Linkage	1
10	82258	(00001-037999)	Stud	1

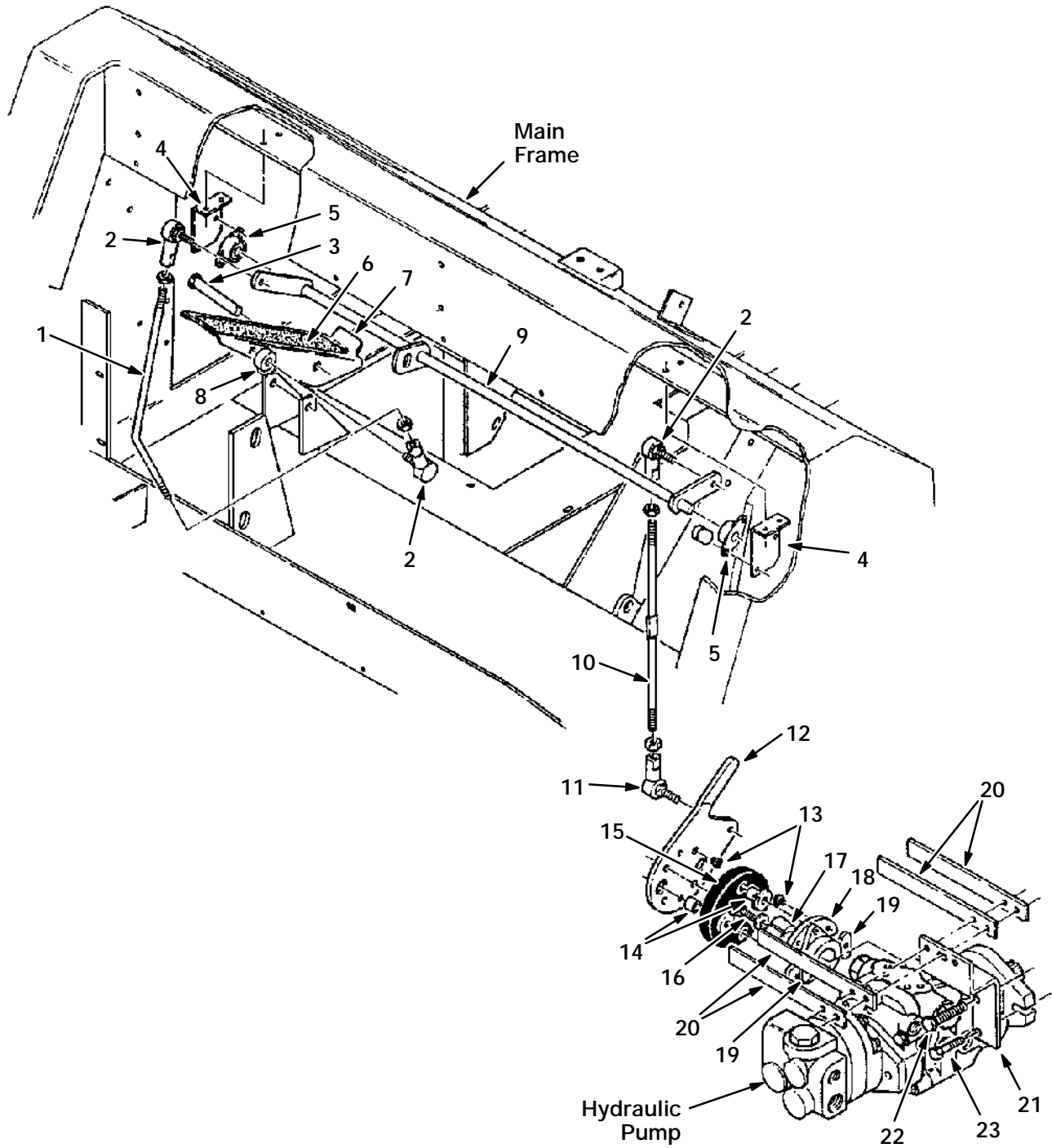


Fig. 41 -- Directional Control Group, Distributorless (DIS)

Fig. 41 -- Directional Control Group, Distributorless (DIS)

Key	TENNANT® Part No.	Machine Serial Number	Description	Qty.
1	82748	(038000-)	Rod, Accelerator Control	1
2	50493	(038000-)	Ball Joint	3
3	23683	(038000-)	Pin, Clevis	1
4	53351A	(038000-)	Support, Control Rod	2
5	53352	(038000-)	Bearing, Flange	2
6	82839	(038000-)	Pad, Tread	1
7	82836	(038000-)	Pedal, Propel	1
8	69462	(038000-)	Sleeve	1
9	82793	(038000-)	Rod, Drive Linkage	1
10	82258	(038000-)	Rod, Threaded	1
11	82260	(038000-)	Ball Joint, Left Hand Thread	1
12	30363	(038000-)	Plate, Pump Control	1
13	56855	(038000-)	Bumper, Rubber	8
14	64991	(038000-)	Sleeve	4
15	57875	(038000-)	Coupling, Shaft	1
16	16736	(038000-)	Screw, Hex, Nylon	1
17	15280-3	(038000-)	Bushing	1
18	02701	(038000-)	Flange, Coupling	1
19	02702	(038000-)	Washer, Retainer	2
20	49681	(038000-)	Plate, Spring	4
21	30365	(038000-)	Bracket, Centering	1
22	55347	(038000-)	Screw, Hex, Full Thread	1
23	82842	(038000-)	Screw, Hex, Nylon	2

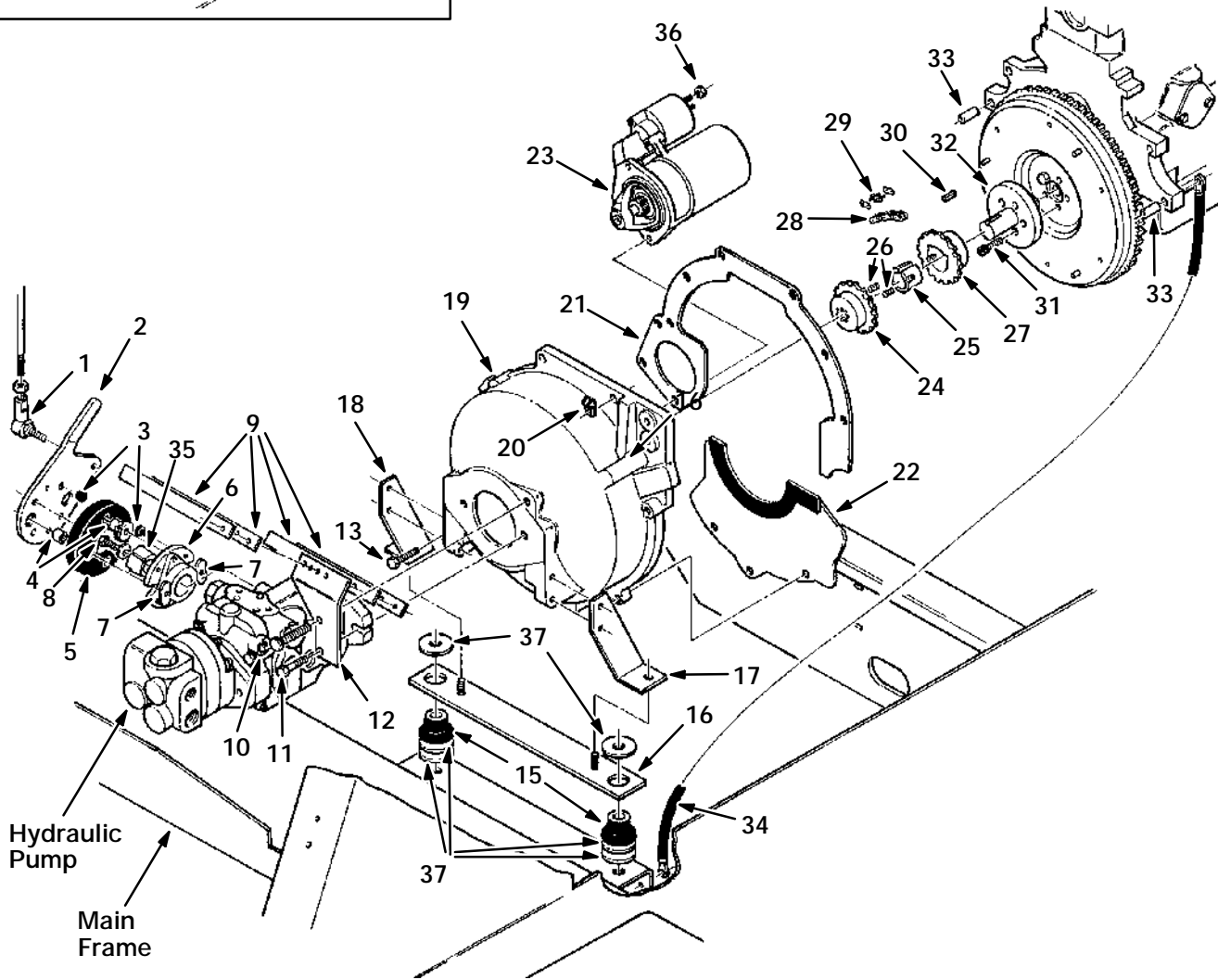
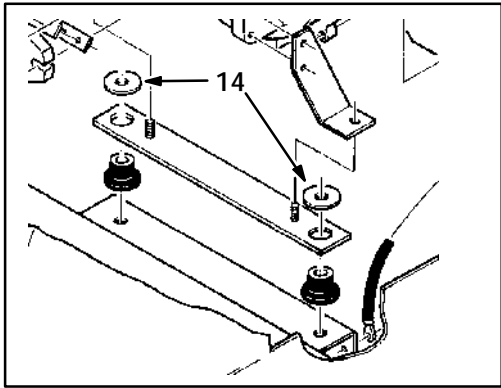


Fig. 42 -- Flywheel Housing Group

Fig. 42 -- Flywheel Housing Group

Key	TENNANT® Part No.	Machine Serial Number	Description	Qty.
1	82260	(000001-037999)	Ball Joint, Left Hand Thread	1
2	82215	(000001-037999)	Plate, Pump Control	1
3	56855	(000001-037999)	Bumper, Rubber	8
4	64991	(000001-037999)	Sleeve	4
5	57875	(000001-037999)	Coupling, Shaft	1
6	02701	(000001-037999)	Flange, Coupling	1
7	02702	(000001-037999)	Washer, Retainer	2
8	16736	(000001-037999)	Screw, Hex, Nylon	1
9	49681	(000001-037999)	Plate, Spring	4
10	55347	(000001-037999)	Screw, Hex, Full Thread	1
11	82842	(000001-037999)	Screw, Hex, Nylon	2
12	02699	(000001-037999)	Bracket, Centering	1
13	03193	(000001-037999)	Screw, Hex, M10	3
14	32492	(000001-000228)	Washer	2
15	51176	(000001-037999)	Dampner, Engine	2
16	82517	(000001-037999)	Support, Bell Housing	1
17	82520	(000001-037999)	Angle, Support, L.H.	1
18	82519	(000001-037999)	Angle, Support, R.H.	1
19	03154	(000001-037999)	Housing, Flywheel	1
20	76736	(000001-037999)	Clamp, Cable	1
21	03179	(000001-037999)	Ring, Starter Locating	1
22	07188	(000001-037999)	Cover, Flywheel Housing	1
23	03160	(000001-037999)	Starter	1
24	53386	(000001-037999)	Coupling, Spline	1
25	15280-1	(000001-037999)	Bushing	1
26	39330	(000001-037999)	Screw, Set	2
27	53531-2	(000001-037999)	Coupling, Chain Half	1
28	33691	(000001-037999)	Chain, Roller	1
29	33692	(000001-037999)	Link, Roller Chain	1
30	00926	(000001-037999)	Key, Square	1
31	03210	(000001-037999)	Screw, Socket	5
32	03156	(000001-037999)	Adaptor, Flywheel	1
33	54911-16	(000001-037999)	Pin, Dowel	2
34	57773	(000001-037999)	Wire Assembly, Ground	1
35	15280-3	(000001-037999)	Bushing	1
36	41361	(000001-037999)	Nut, Hex, M8	1
37	04414	(000229-037999)	Washer	6

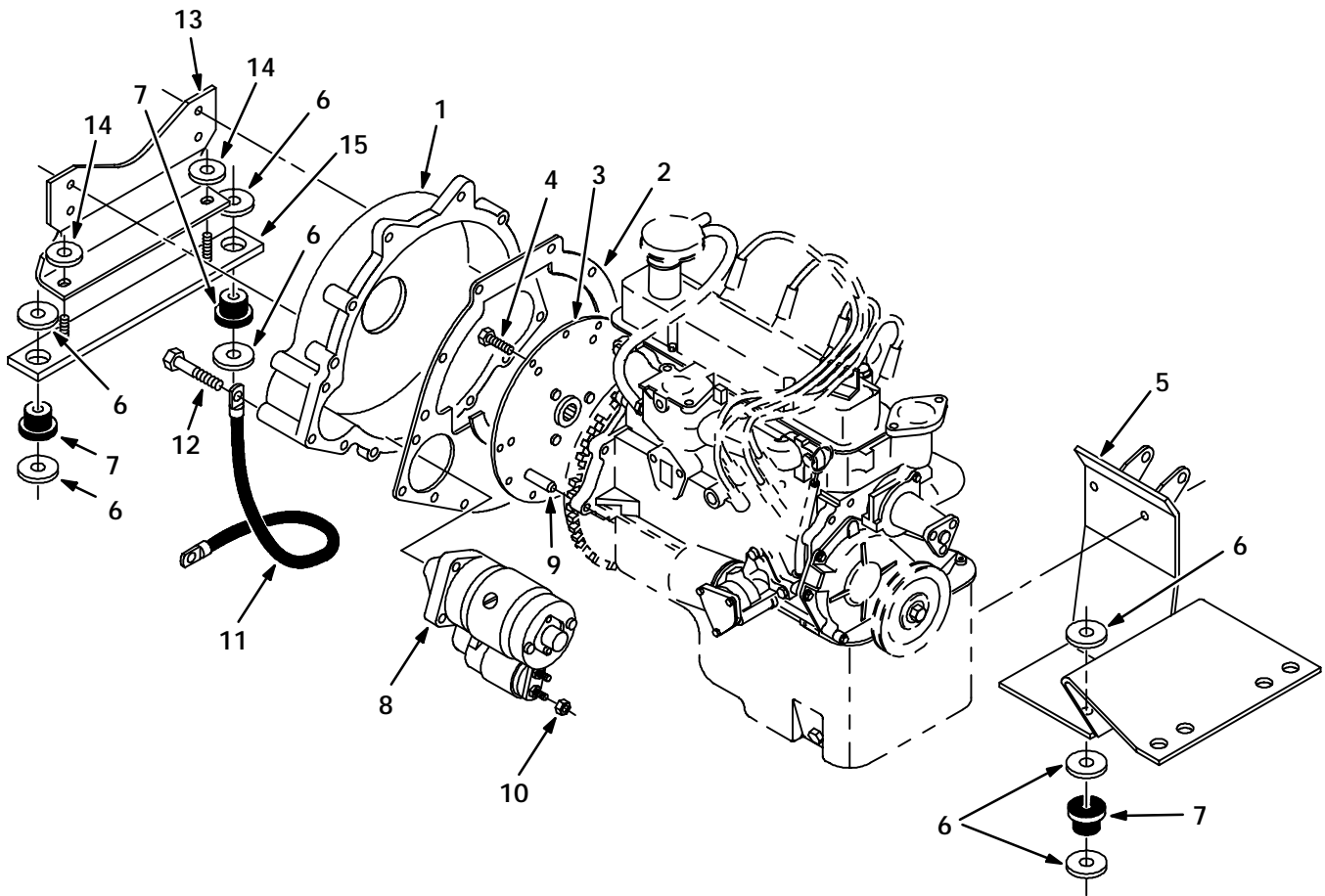


Fig. 43 -- Flywheel Housing Group, Distributorless (DIS)

06035

Key	TENNANT Part No.	Machine Serial Number	Description	Qty.
1	19073	(038000-)	Housing, Flywheel	1
2	19531	(038000-)	Ring, Starter Locating	1
3	19252	(038000-)	Coupling Assembly, Flywheel	1
4	16735	(038000-)	Screw, Hex, M8	6
5	31491	(038000-038180)	Mount, Engine Front	1
5	30434	(038181-)	Mount, Engine Front	1
6	04414	(038000-)	Washer, Flat	7
7	51176	(038000-)	Dampner, Engine	3
8	31761	(038000-)	Starter	1
9	54911-16	(038000-)	Pin, Dowel	2
10	41361	(038000-)	Nut, Hex, M8	1
11	57773	(038000-)	Wire Assembly, Ground	1
12	03192	(038000-)	Screw, Hex, M10	3
13	30328	(038000-)	Mount, Engine Rear	1
14	32492	(038000-)	Washer	2
15	82517	(038000-)	Support, Bell Housing	1

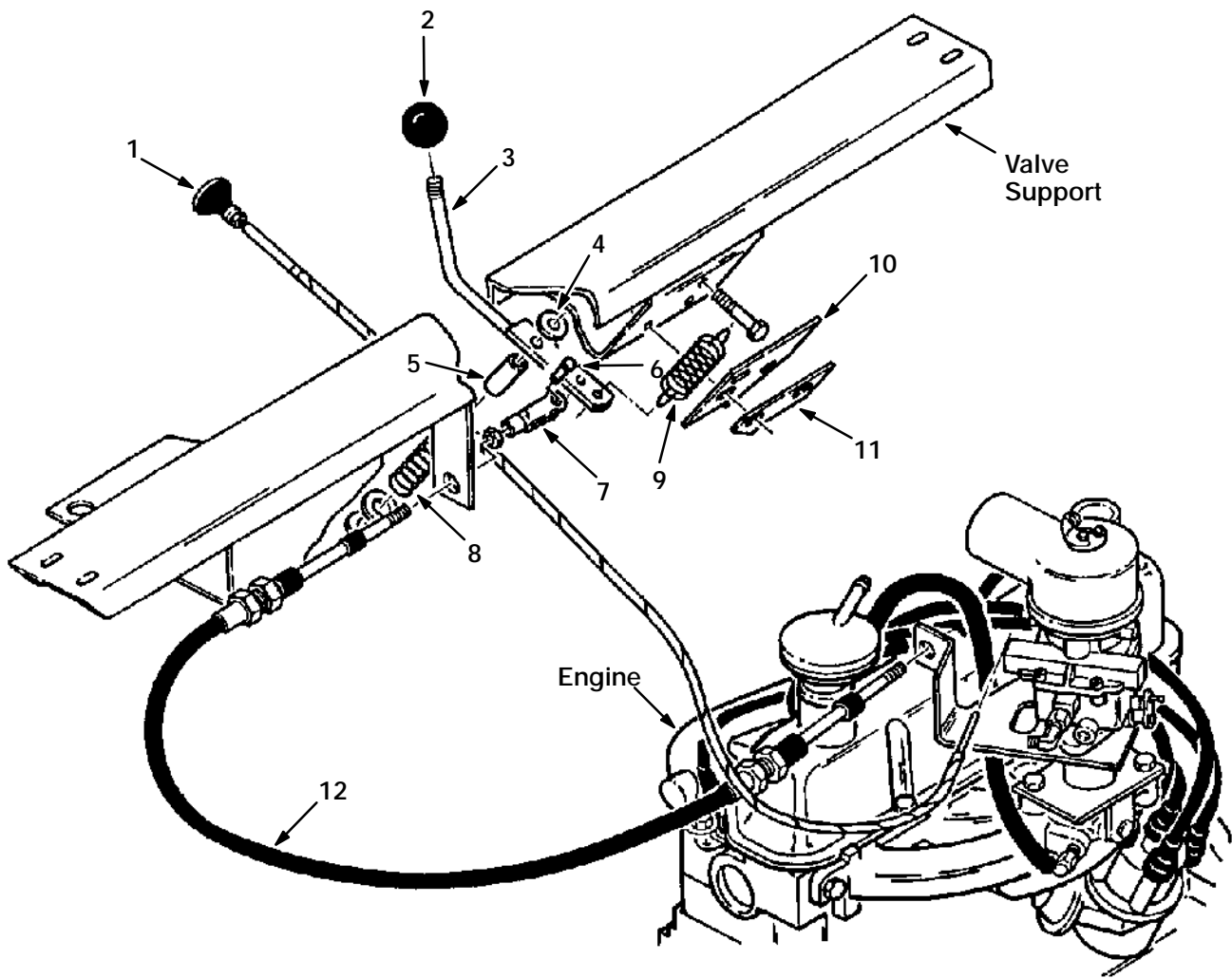


Fig. 44 -- Throttle Linkage Group

04444

Key	TENNANT® Part No.	Machine Serial Number	Description	Qty.
1	69266	(000001-037999)	Cable, Choke	1
2	26565	(000001-037999)	Knob	1
3	82941	(000001-037999)	Handle, Throttle	1
4	43611	(000001-037999)	Washer, Nylon	1
5	68000	(000001-037999)	Spacer	1
6	14605	(000001-037999)	Pin, Clevis	1
7	14595-1	(000001-037999)	Clevis, Adjustable	1
8	39457	(000001-037999)	Spring, Compression	1
9	01053	(000001-037999)	Spring, Tension	1
10	82669	(000001-037999)	Plate, Stop	1
11	82677	(000001-037999)	Plate, Stop	1
12	67815	(000001-037999)	Cable Assembly	1

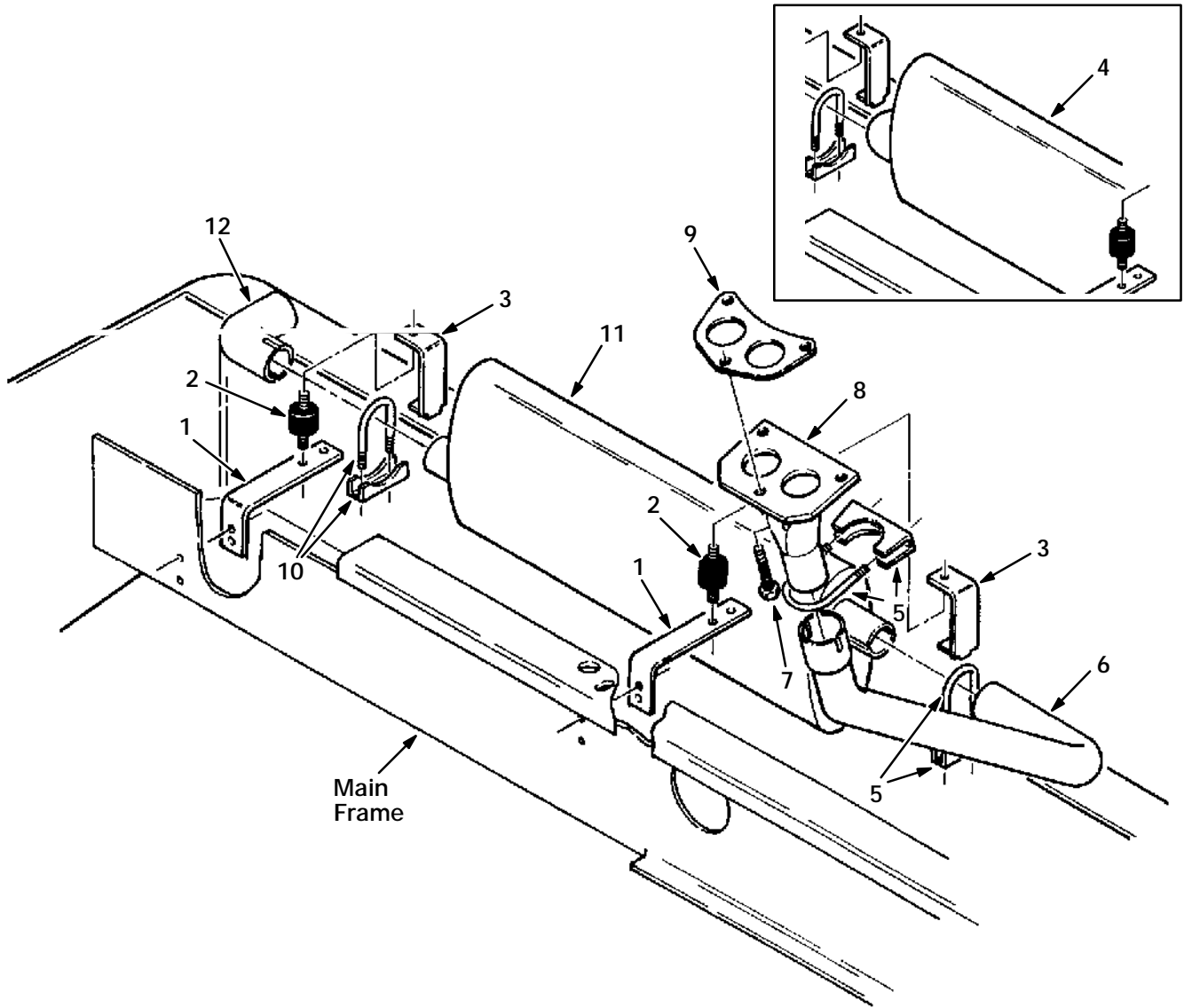


Fig. 45 -- Muffler Group

04445

Key	TENNANT® Part No.	Machine Serial Number	Description	Qty.
1	07387	(000001-037999)	Bracket, Muffler Hanger	2
2	82661	(000001-037999)	Isolator, Vibration	2
3	82545	(000001-037999)	Hanger, Muffler	2
4	33330	(000001-000277)	Replacement Kit, Muffler	1
5	24012	(000001-037999)	Clamp, Muffler	2
6	03161	(000001-037999)	Pipe, Exhaust	1
7	39283	(000001-037999)	Screw, Hex, M10	3
8	03232	(000001-037999)	Collector, Exhaust	1
9	03252	(000001-037999)	Gasket, Exhaust	1
10	23693	(000001-037999)	Clamp, Muffler	1
11	33333	(000278-037999)	Muffler	1
12	33329	(000278-037999)	Tailpipe	1

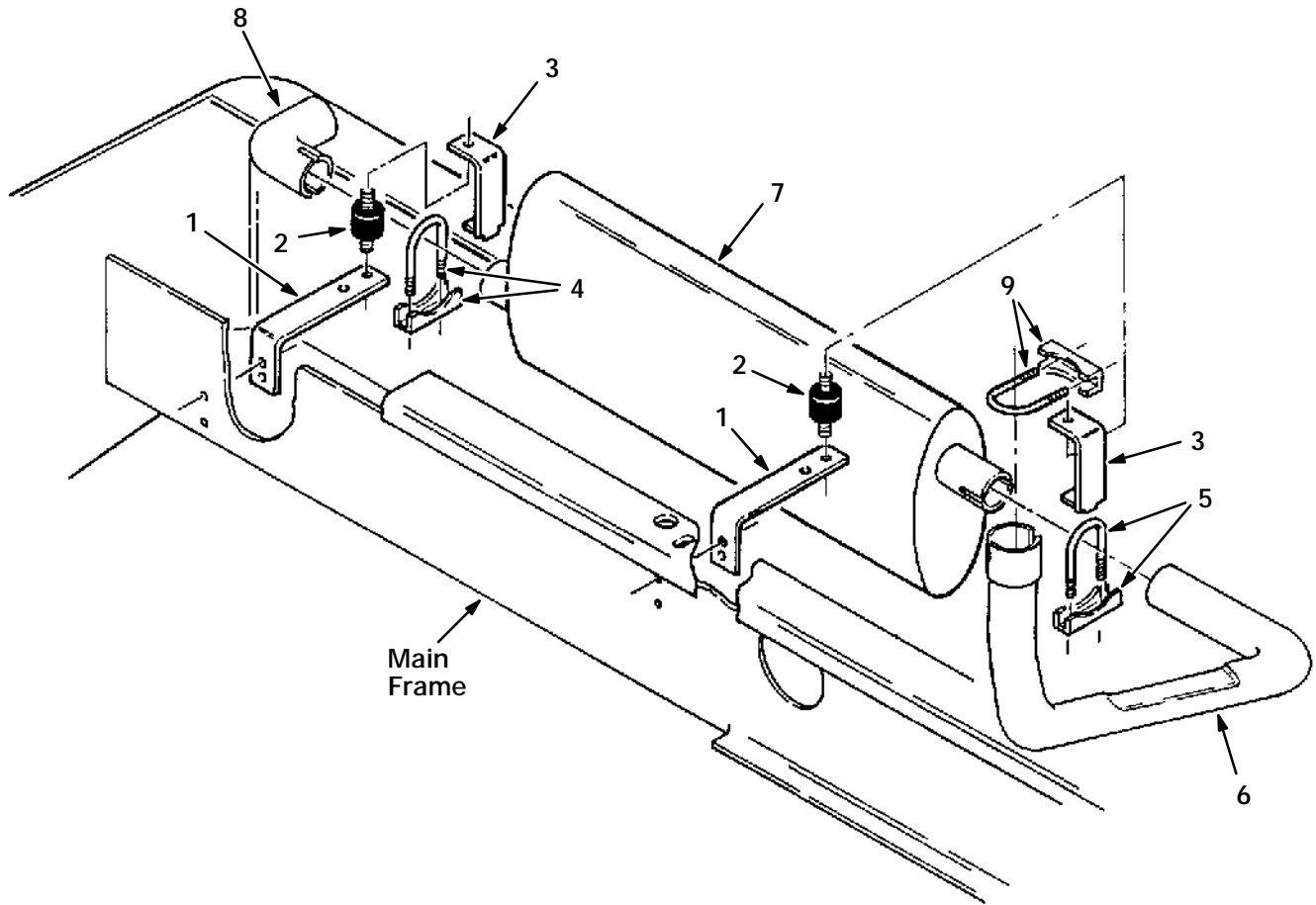


Fig. 46 -- Muffler Group, Distributorless (DIS)

06039

Key	TENNANT® Part No.	Machine Serial Number	Description	Qty.
1	30351	(038000-)	Bracket, Muffler Hanger	2
2	82661	(038000-)	Isolator, Vibration	2
3	82545	(038000-)	Hanger, Muffler	2
4	23693	(038000-)	Clamp, Muffler (for 1.50" OD tube)	1
5	24012	(038000-)	Clamp, Muffler (for 1.62" OD tube)	1
6	30350	(038000-)	Tube, Exhaust	1
7	33333	(038000-)	Muffler	1
8	33329	(038000-)	Tailpipe	1
9	4012-1	(038000-)	Clamp, Muffler (for 1.75" OD tube)	1

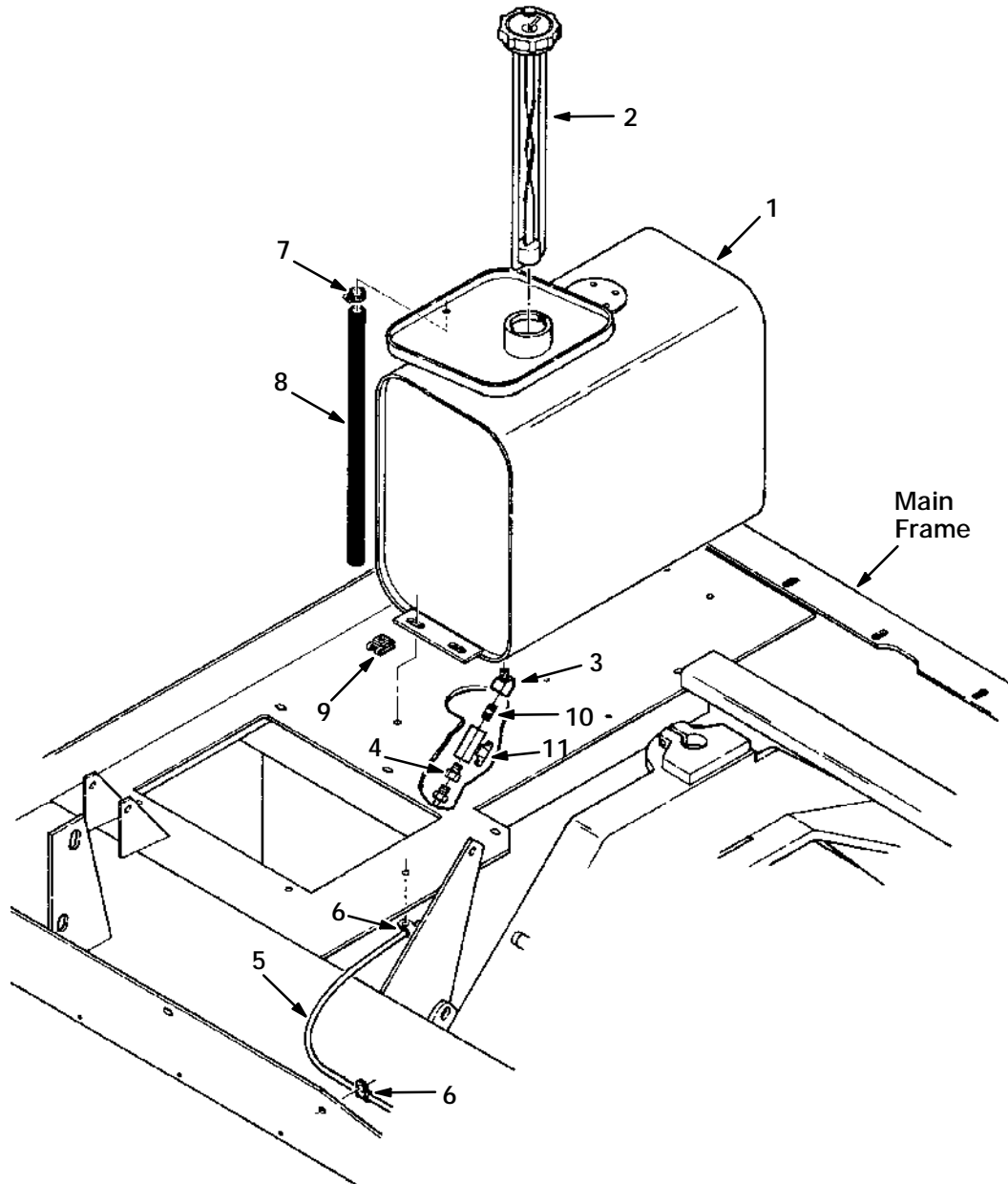


Fig. 47 -- Fuel Tank Group

04446

Key	TENNANT® Part No.	Machine Serial Number	Description	Qty.
1	82728	(000001-)	Tank, Fuel	1
2	82730	(000001-)	Cap, Fuel Gauge	1
3	24976	(000001-)	Fitting, Elbow, 45°	1
4	40585	(000001-)	Fitting, Straight	1
5	82524	(000001-)	Tube Assembly, Fuel	1
6	46236	(000001-)	Clamp, Cable	3
7	54333	(000001-)	Clamp, Worm Drive	1
8	34258	(000001-)	Hose, Fuel	1
9	02485	(000001-)	Nut, Speed Retainer	4
10	47566	(000001-)	Fitting, Straight	1
11	07885	(000001-)	Valve, Ball	1

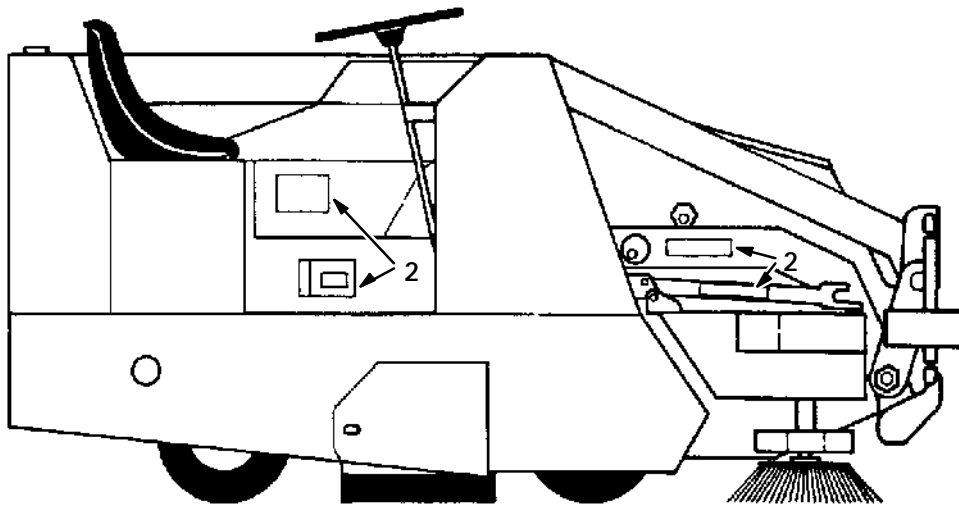
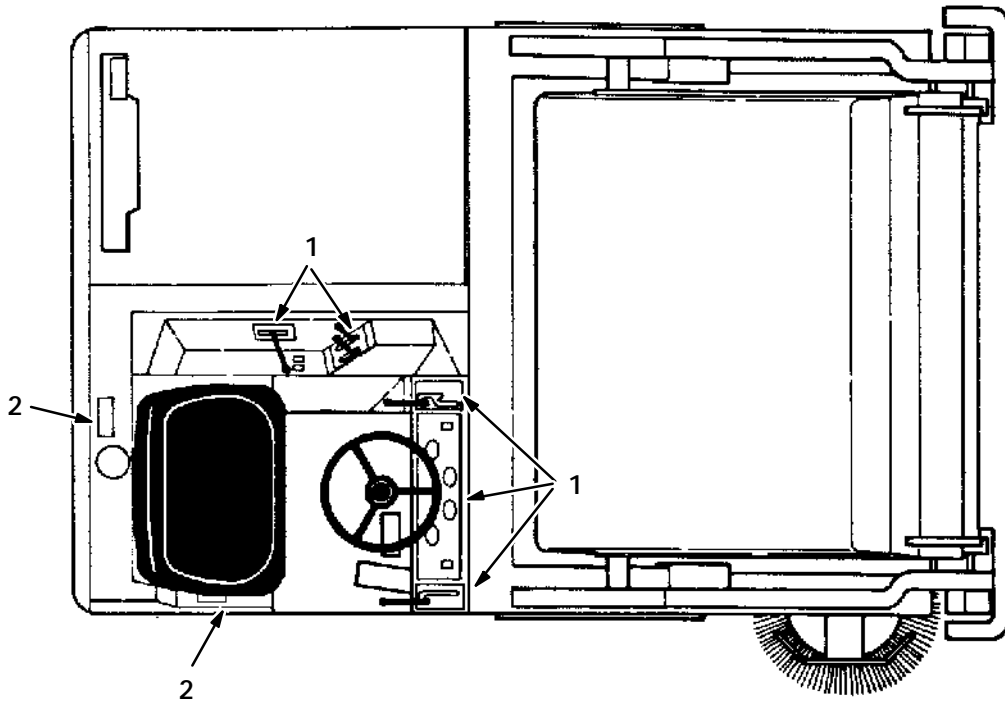


Fig. 48 -- Labels Group

04447

Key	TENNANT® Part No.	Machine Serial Number	Description	Qty.
1	25162	(000001-)	Label Kit, Complete	1
1	25143	(000001-)	Label Kit, Operational	1
2	82740	(000001-)	Label Kit, Information and Hazard	1

SECTION 6

CONTENTS

	Page
ORDERING REPAIR PARTS	6-3
Fig. 1 – Main Frame Group, Multi-Level Dump	6-4
Fig. 2 – Hopper Door Assembly, Multi-Level Dump	6-5
Fig. 3 – Hopper Group, Multi-Level Dump ..	6-6
Fig. 4 – Hopper Lift Arms Group, Multi-Level Dump	6-8
Fig. 5 – Hopper Cover and Filter Carrier Group, Multi-Level Dump	6-10
Fig. 6 – Hydraulic Lift Cylinder Group, Multi-Level Dump	6-11
Fig. 7 – Stabilizer Leg Group, Multi-Level Dump	6-12
Fig. 8 – Side Brush Group, Multi-Level Dump	6-13
Fig. 9 – Main Brush Lift Group, Multi-Level Dump	6-14
Fig. 10 – Front Wheel and Brakes Group, Multi-Level Dump	6-15
Fig. 11 – Hydraulic Hoses Group, Multi-Level Dump	6-16
Fig. 12 – Hydraulic Control Valve Group, Multi-Level Dump	6-17
Fig. 13 – Wire Harnesses Group, Multi-Level Dump	6-18

NOTE: SECTION 6, MULTI-LEVEL DUMP MODEL PARTS, lists repair parts unique to an multi-level dump model machine.

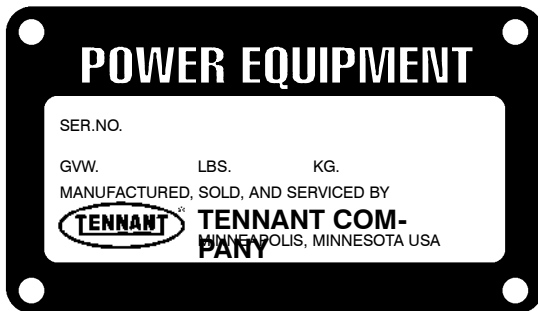
ORDERING REPAIR PARTS

The components used in this machine have been carefully selected for performance and safety. Use only Tennant Company specified or equivalent parts.

To receive prompt service in filling of your parts orders, please direct all orders for parts with Tennant Company part numbers to the Tennant Company, and all orders for parts with vendor part numbers to the local supplier of the respective vendor.

When ordering parts, please furnish all of the following information:

1. Machine model number - shown on the machine data plate.



2. Machine serial number - shown on the machine data plate.
3. Power source - gasoline, LPG, diesel, electric.
4. Company name.
5. Shipping address.
6. Billing address.
7. Name, first and last - of person ordering parts.
8. Telephone number.
9. Purchase order number.
10. Part number, description, and quantity - of each item on the order.

Do not order parts by key number or the figure number of the illustrated parts. Indented items indicate parts of assemblies. Standard hardware is furnished only when part of a purchased assembly. Please get hardware from a local hardware supplier.

If the old part cannot be identified, send it to us with the quantity needed specified on the order.

Any claim for loss or damage to a shipment in transit should be filed promptly against the transportation company making the delivery. Shipments will be complete unless the packing list or order acknowledgement indicate items back ordered.

If parts received are suspected to be incorrect or defective, please write, wire, or phone the Tennant Company representative from whom you ordered the part. They will give authorization for return and/or handle replacement shipments when required.

SERIAL NUMBER INFORMATION EXPLANATION

Serial number listings are shown to indicate on which machines each part can be used. These listings are explained by the following examples:

(000000-) The part can be used on all machines.

(003342-) The part can be used on all machines beginning with the serial number listed.

(000000-004320) The part can be used on all machines up to and including serial number listed.

(004321-005678) The part can be used on all machines between and including the serial numbers listed.

Where xxxxx's are listed in place of a serial number, it indicates a change was made but the exact serial number had not been established when the catalog went to press.

SI UNITS OF MEASURE (INTERNATIONAL SYSTEM)

Metric equivalents have been included, where applicable, throughout this parts catalog.

FASTENER STRENGTH IDENTIFICATION

Fasteners required to have high-strength qualities equivalent to SAE Grade 8 are identified throughout this catalog by the description GR 8. Unless identified by this description, all standard fasteners are SAE Grade 5.

(Specifications and design subject to change without notice.)

MULTI-LEVEL DUMP MODEL PARTS

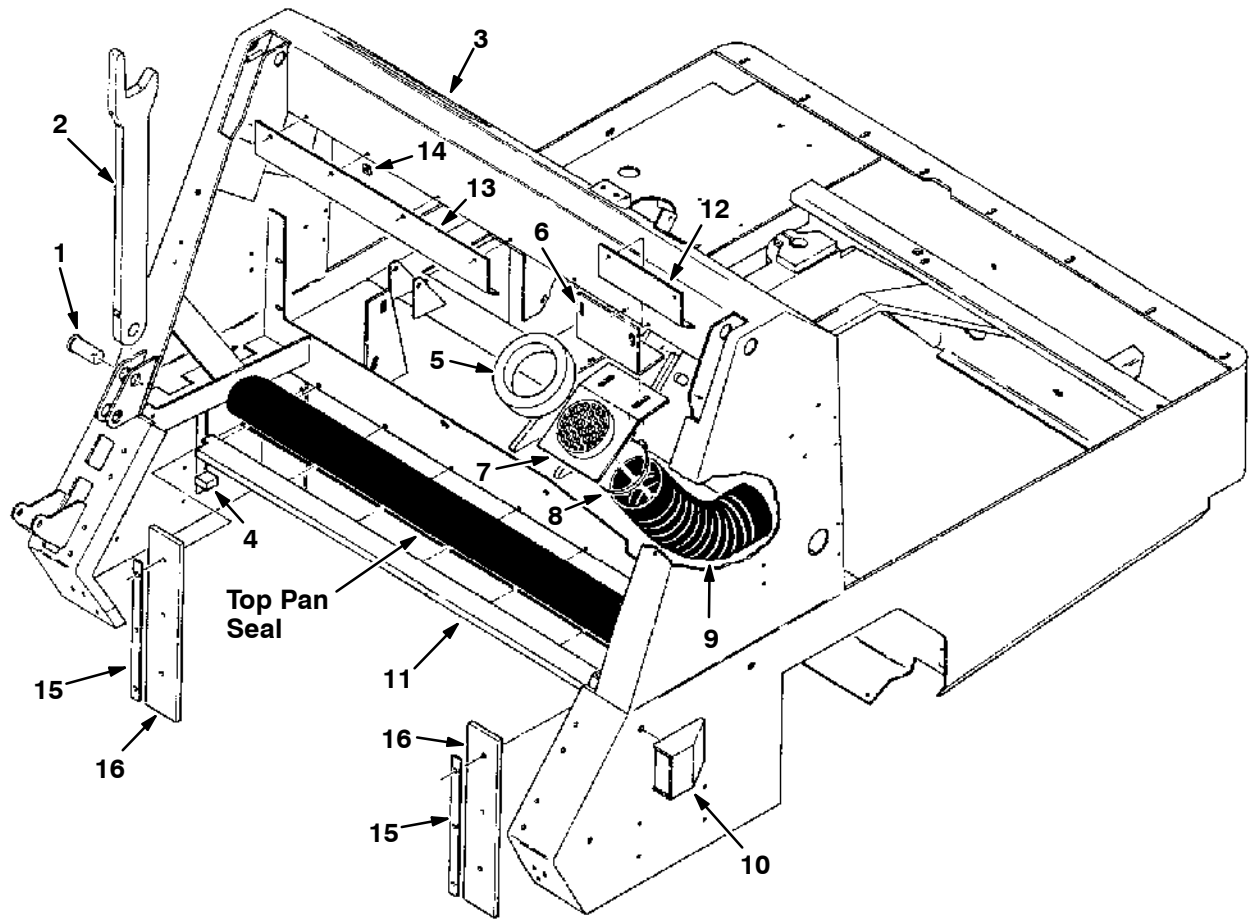


Fig. 1 – Main Frame Group, Multi-Level Dump

04450

Key	TENNANT® Part No.	Machine Serial Number	Description	Qty.
1	36994	(000001-)	Pin, Clevis	1
2	82193	(000001-)	Arm, Safety	1
3	07465	(000001-037999)	Frame, Main	1
3	30340	(038000-)	Frame, Main	1
4	54338-6	(000001-)	Seal, Foam Rubber	2
5	82425	(000001-)	Seal, Vacuum Fan Inlet	1
6	82394	(000001-)	Angle, Adjustment	1
7	82393	(000001-)	Connection, Vacuum Hose	1
8	23498	(000001-)	Clamp, Worm Drive	1
9	51768A	(000001-)	Hose, Flex	1
10	82186	(000001-)	End, Front Bumper	1
11	50446	(000001-)	Retainer, Hopper Top Seal	1
12	82776	(000001-)	Shield, Spray	1
13	82777	(000001-)	Shield, Spray	1
14	82138	(000001-)	Nut, Speed Retainer	6
15	23384-2	(000001-)	Strip	2
16	23382	(000001-)	Seal, Side	6

NOTE: To identify parts shown but not listed here, see Section 5, Low Dump Model Parts.

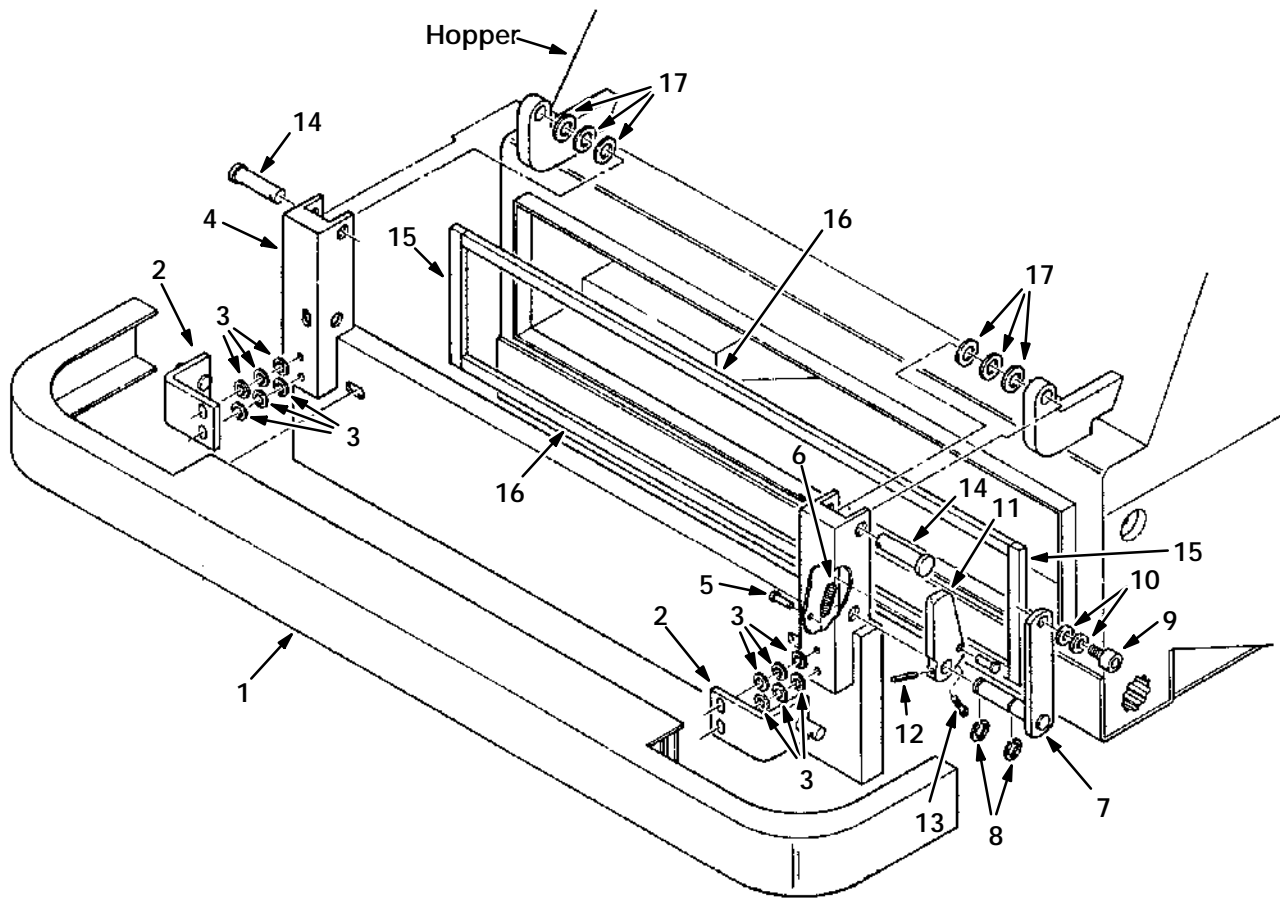


Fig. 2 -- Hopper Door Assembly, Multi--Level Dump

04451

Key	TENNANT® Part No.	Machine Serial Number	Description	Qty.
1	33710	(000001-)	Bumper	
1	2	(000001-)	Bracket, Door Latch	2
	3	(000001-)	Washer	12
	35669	(000001-)	Door Assembly, Hopper	1
	4	(000001-)	Door, Hopper	1
	5	(000001-)	Pin, Clevis	2
	6	(000001-)	Spring, Tension	1
	7	(000001-)	Shaft, Pivot	1
	8	(000001-)	Ring, Retaining	2
	9	(000001-)	Cam, Follower	1
	10	(000001-)	Washer	2
	11	(000001-)	Brace, Hopper Door	1
	12	(000001-)	Pin, Roll	1
	13	(000001-)	Screw, Socket	1
	14	(000001-)	Pin, Clevis	2
	15	(000001-)	Seal, Foam Rubber	2
	16	(000001-)	Seal, Foam Rubber	2
	17	(000001-)	Shim, Washer	6

NOTE: To identify parts shown but not listed here, see Section 5, Low Dump Model Parts.

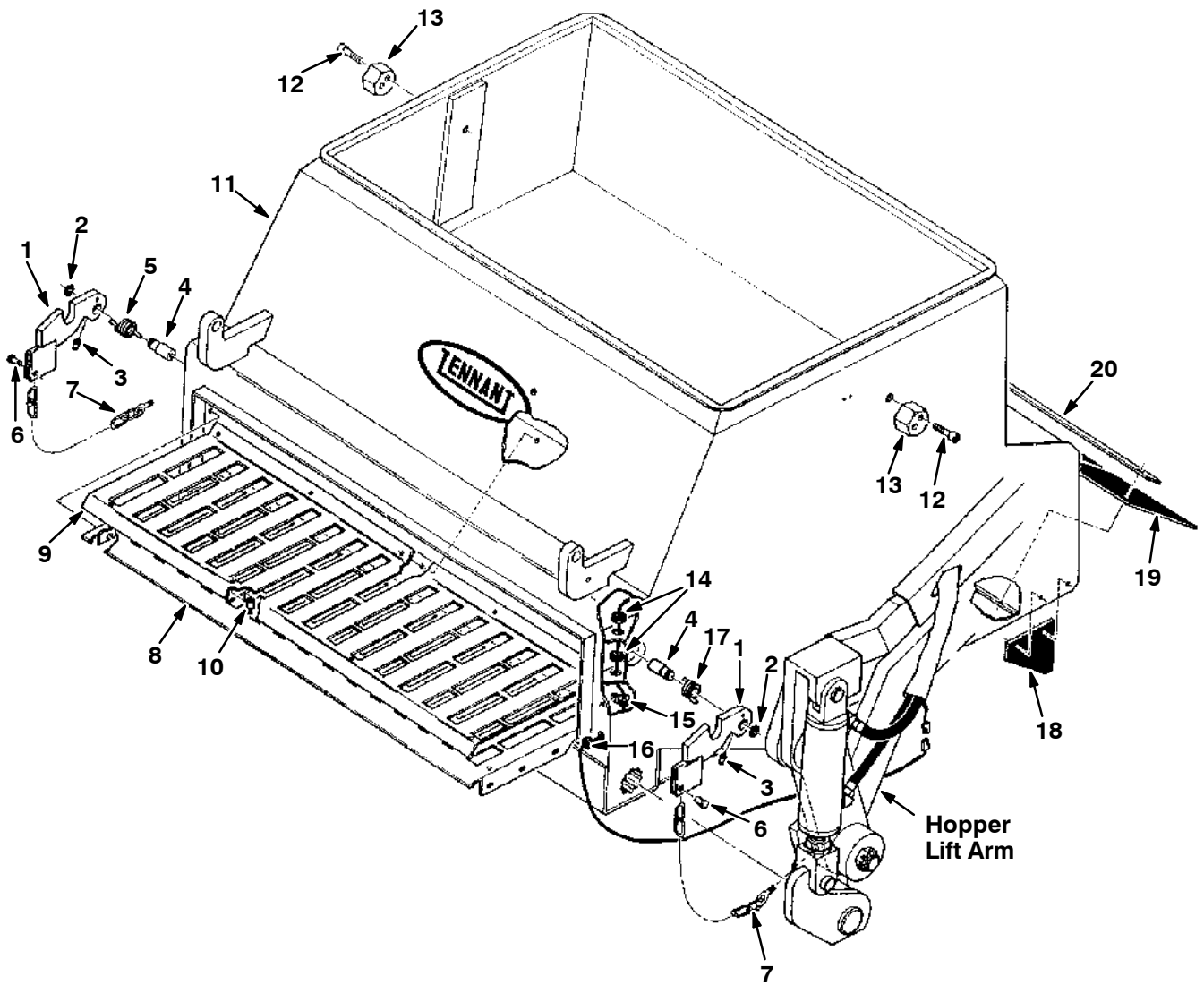


Fig. 3 – Hopper Group, Multi-Level Dump

NOTE: To identify parts shown but not listed here, see Section 5, Low Dump Model Parts.

Fig. 3 – Hopper Group, Multi-Level Dump

Key	TENNANT® Part No.	Machine Serial Number	Description	Qty.
1	82501	(000001 –)	Latch, Door	2
2	18136	(000001 –)	Ring, Retaining	2
3	07259	(000001 –)	Fitting, Grease	2
4	82500	(000001 –)	Shaft, Door Latch Pivot	2
5	48928	(000001 –)	Spring, Torsion, R.H.	1
6	10120	(000001 –)	Pin, Clevis	2
7	32448	(000001 –)	Chain and Eye Bolt Assembly	2
8	82476	(000001 –)	Baffle, Lower	1
9	82477	(000001 –)	Baffle, Upper	1
10	82483	(000001 –)	Tube, Spacer	4
11	02668	(000001 –)	Hopper	1
12	82423	(000001 –)	Screw, Socket	2
13	82421	(000001 –)	Cam, Positioning	2
14	10632-4	(000001 –)	Grommet, Rubber	2
15	26395-2	(000001 –)	Clamp, Cable	1
16	10632-11	(000001 –)	Grommet, Rubber	1
17	48927	(000001 –)	Spring, Torsion, L.H.	1
18	37021	(000001 –)	Lip, Side	2
19	35607	(000001 –)	Lip Assembly	5
20	53758	(000001 –)	Strip	1

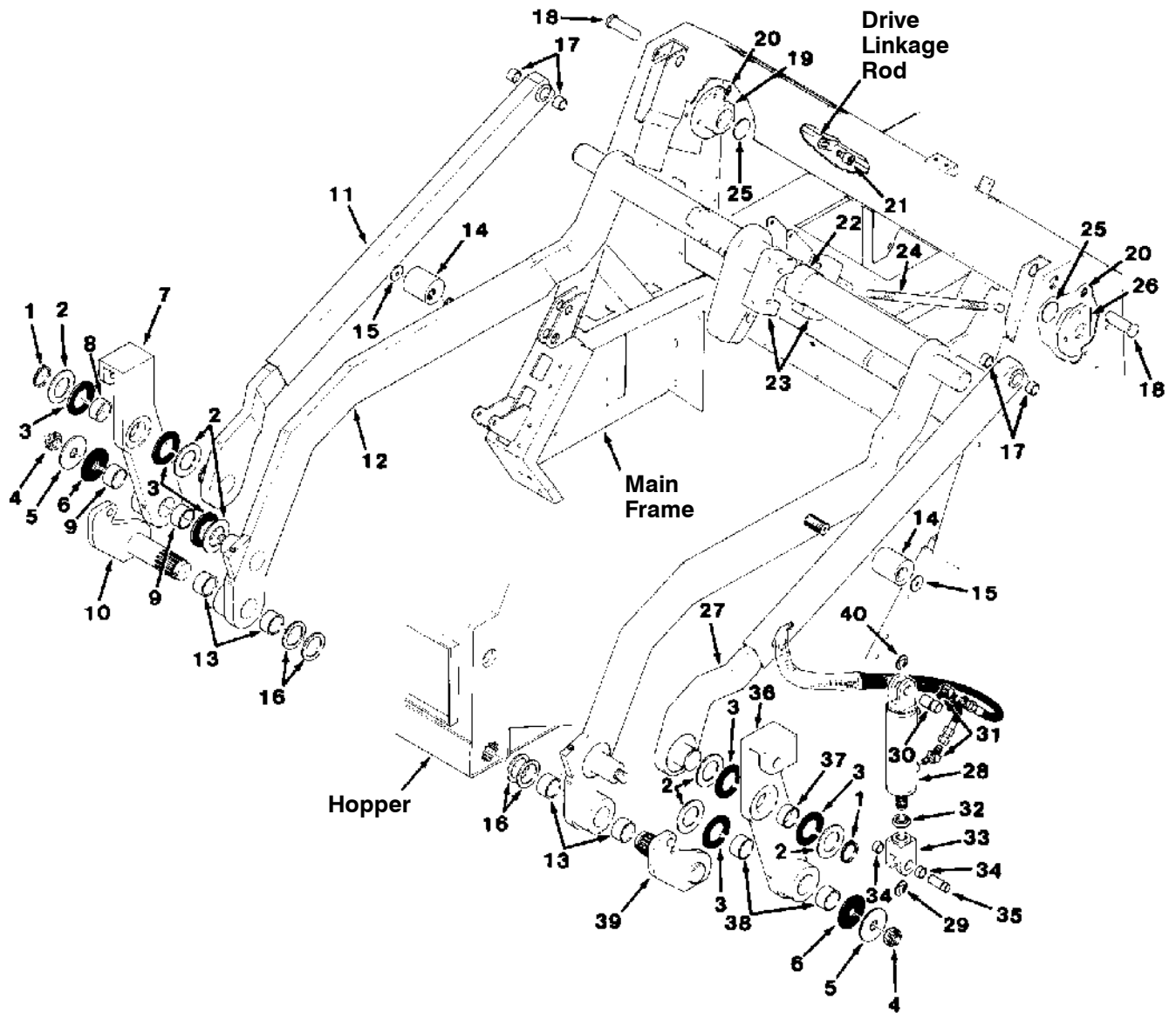


Fig. 4 – Hopper Lift Arms Group, Multi-Level Dump

NOTE: To identify parts shown but not listed here, see Section 5, Low Dump Model Parts.

Fig. 4 – Hopper Lift Arms Group, Multi-Level Dump

Key	TENNANT Part No.	Machine Serial Number	Description	Qty.-
1	35686	(000001-)	Ring, Retaining	2
2	35615	(000001-)	Washer	6
3	37139	(000001-)	Bearing, Thrust	6
4	14242	(000001-)	Nut, Slotted Hex	2
5	35614	(000001-)	Washer	2
6	35666	(000001-)	Bearing, Thrust	2
7	35621-1	(000001-)	Arm Assembly, Front Pivot, R.H.	1
8	35665	(000001-)	Bearing, Journal	1
9	35561	(000001-)	Bearing, Journal	2
10	35640	(000001-)	Shaft, Torque, R.H.	1
11	82610	(000001-)	Arm, Upper, R.H.	1
12	82194	(000001-)	Arm Assembly, Hopper	1
13	35561	(000001-)	Bearing, Journal	4
14	33541	(000001-)	Hub, Splined	2
15	36996	(000001-)	Washer	2
16	32125	(000001-)	Washer	6
17	35688	(000001-)	Bearing, Journal	4
18	34410	(000001-)	Pin, Clevis	2
19	35631	(000001-)	Bearing, R.H.	1
20	47801	(000001-)	Fitting, Grease	2
21	48930	(000001-)	Cam, Follower	1
22	35668	(000001-)	Bearing, Journal	1
23	35630	(000001-)	Bearing	1
24	35595	(000001-)	Stud	1
25	23138	(000001-)	Shim	6
26	35631-1	(000001-)	Bearing, L.H.	1
27	82611	(000001-)	Arm, Upper, L.H.	1
28	04471	(000001-)	Cylinder, Hydraulic (See Hydraulic Components)	2
29	23788-1	(000001-)	Ring, Retaining	2
30	23145	(000001-)	Pin, Clevis	2
31	34359	(000001-)	Fitting, Elbow, 45°	4
32	48988	(000001-)	Nut, Hex	2
33	37015	(000001-)	Clevis	2
34	37014	(000001-)	Bearing, Journal	2
35	37016	(000001-)	Pin	2
36	35620-1	(000001-)	Arm Assembly, Front Pivot, L.H.	1
37	35665	(000001-)	Bearing, Journal	1
38	35561	(000001-)	Bearing, Journal	2
39	35636	(000001-)	Shaft, Torque, L.H.	1
40	23788	(000001-)	Ring, Retaining	2

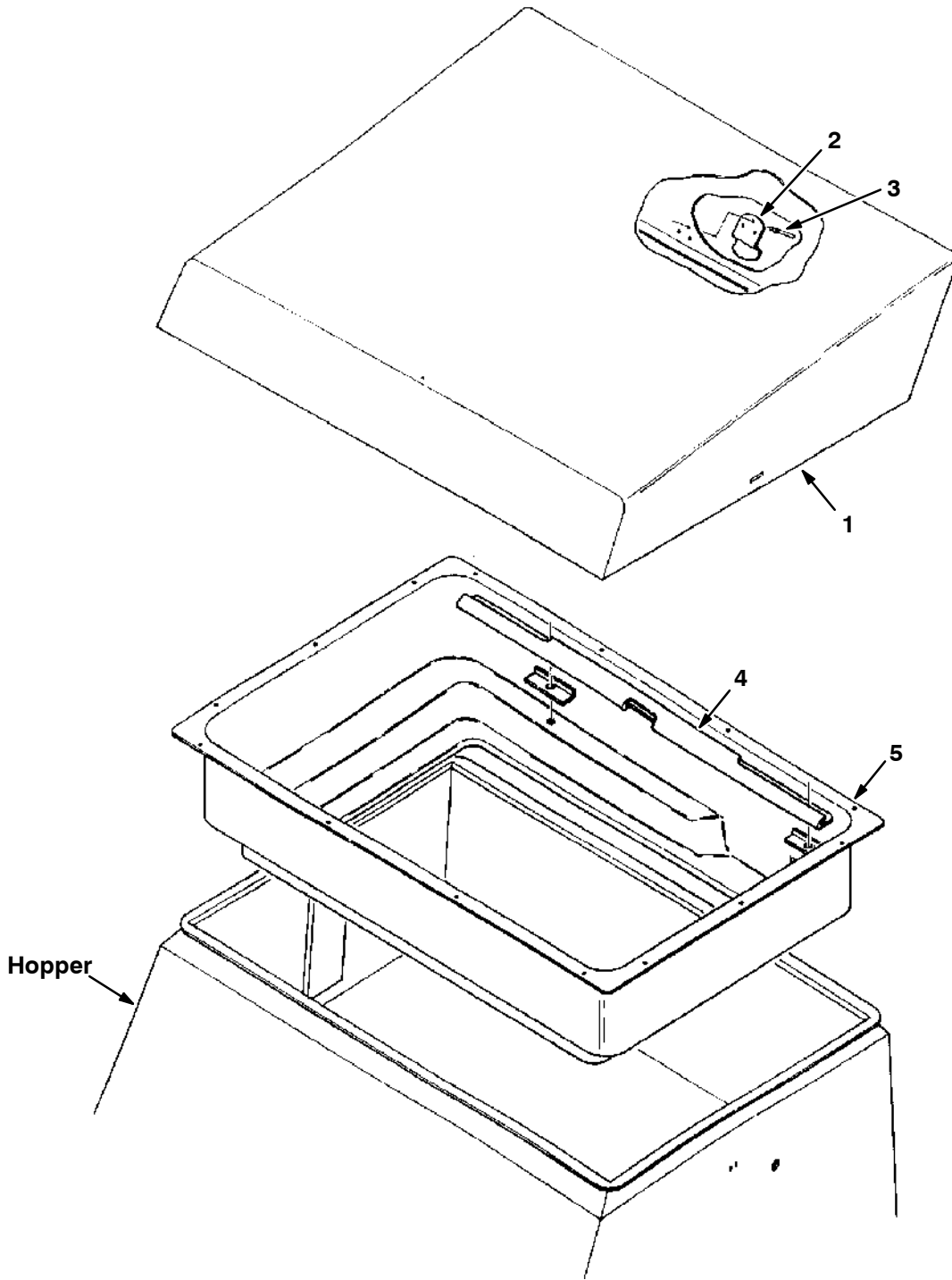


Fig. 5 – Hopper Cover and Filter Carrier Group, Multi-Level Dump

04454

Key	TENNANT® Part No.	Machine Serial Number	Description	Qty.
1	02677	(000001–)	Hopper and Filter Cover Assembly	1
2	02716	(000189–)	Clip, cover retainer	1
3	34738	(000189–)	Rivet	3
4	82452	(000001–)	Retainer, Bracket Filter	1
5	82451	(000001–)	Carrier, Filter	1

NOTE: To identify parts shown but not listed here, see Section 5, Low Dump Model Parts.

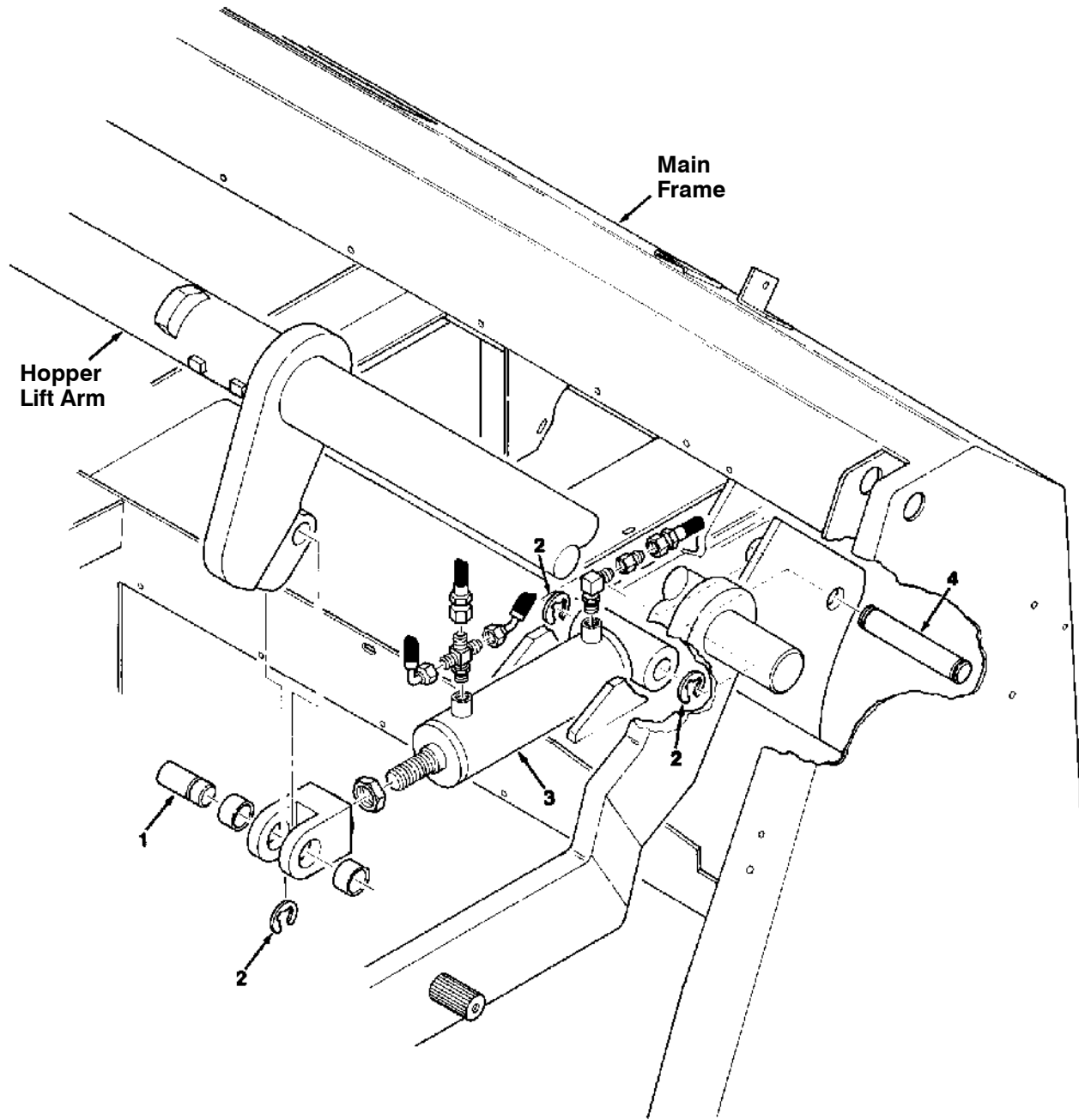


Fig. 6 – Hydraulic Lift Cylinder Group, Multi-Level Dump

04455

Key	TENNANT Part No.	Machine Serial Number	Description	Qty.
1	32941	(000001 –)	Pin, Grooved	1
2	23788	(000001 –)	Ring, Retaining	3
3	82757	(000001 –)	Cylinder, Hydraulic (See Hydraulic Components)	1
4	35515	(000001 –)	Pin, Grooved	1

NOTE: To identify parts shown but not listed here, see Section 5, Low Dump Model Parts.

MULTI-LEVEL DUMP MODEL PARTS

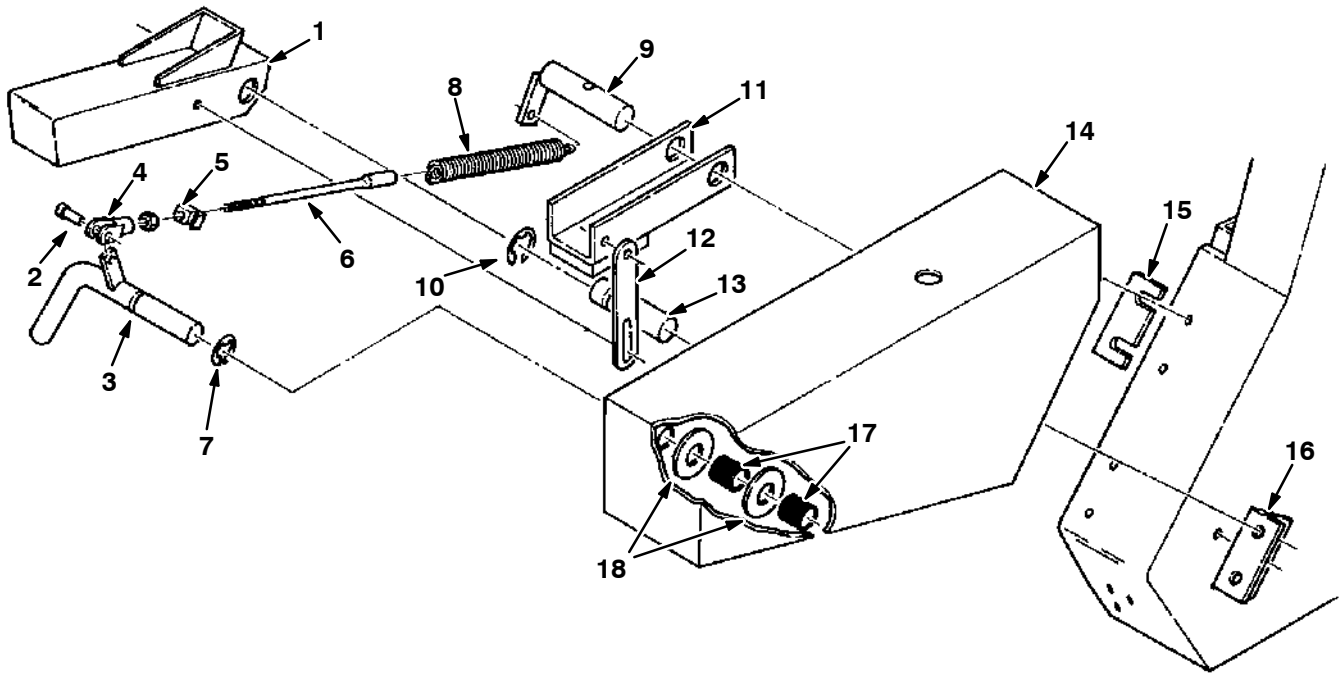


Fig. 7 – Stabilizer Leg Group, Multi-Level Dump

04456

Key	TENNANT® Part No.	Machine Serial Number	Description	Qty.
1	35591	(000001-)	Leg, Safety	1
2	51727	(000001-)	Pin, Clevis	1
3	33568	(000001-)	Lever, Stabilizer Leg	1
4	14595-1	(000001-)	Clevis, Adjustable	1
5	33565	(000001-)	Lug, Spring Adjustment	1
6	33563	(000001-)	Rod, Spring Adjustment	1
7	23788-1	(000001-)	Ring, Retaining	1
8	33523	(000001-)	Spring, Tension	1
9	33763	(000001-)	Shaft, Safety Leg Stop	1
10	23788	(000001-)	Ring, Retaining	1
11	35533	(000001-)	Support, Safety Leg	1
12	35527	(000001-)	Link	1
13	36972	(000001-)	Pin, Grooved	1
14	32282	(000001-)	Bumper, L.H.	1
15	14895	(000001-)	Shim	1
16	82189	(000001-)	Bracket, L	1
17	36663	(000001-)	Sleeve, Rubber	2
18	32495	(000001-)	Washer	2

NOTE: To identify parts shown but not listed here, see Section 5, Low Dump Model Parts.

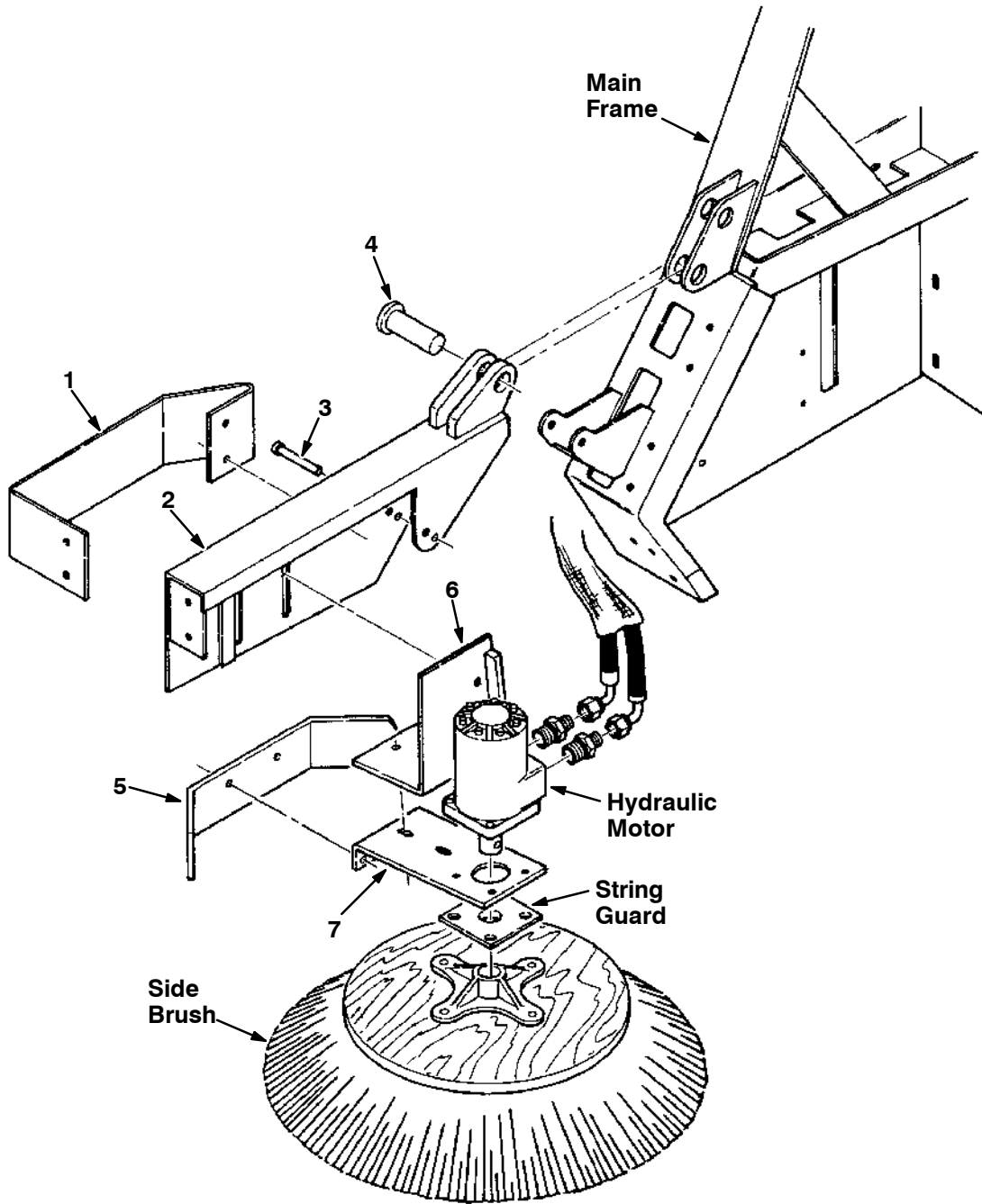


Fig. 8 – Side Brush Group, Multi-Level Dump

04457

Key	TENNANT® Part No.	Machine Serial Number	Description	Qty.
1	36955	(000001-)	Guard, Arm, Side Brush	1
2	55662	(000001-)	Arm, Brush	1
3	23191	(000001-)	Pin, Clevis	1
4	04733-11	(000001-)	Pin, Clevis	1
5	82273	(000001-)	Bumper, Side Brush	1
6	02482	(000001-)	Bracket, Bumper Mount	1
7	82272	(000001-)	Bracket, Motor Mounting	1

NOTE: To identify parts shown but not listed here, see Section 5, Low Dump Model Parts.

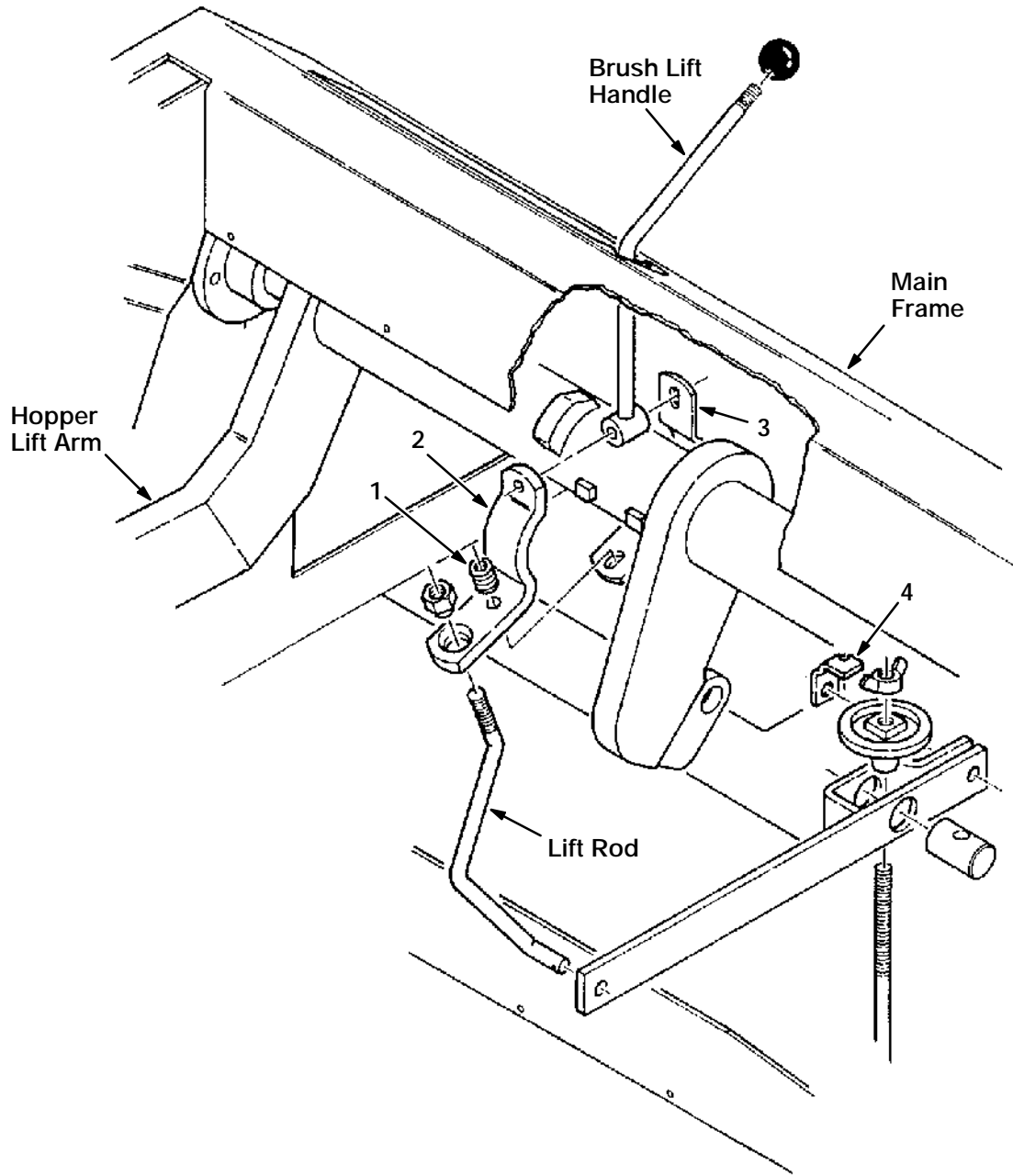


Fig. 9 -- Main Brush Lift Group, Multi--Level Dump

04458

Key	TENNANT® Part No.	Machine Serial Number	Description	Qty.
1	14174	(000001-)	Spring, Compression	1
2	53907	(000001-)	Lever, Lift Handle	1
3	53899	(000001-)	Clip, Lift Handle	1
4	35593	(000001-)	Bracket	1

NOTE: To identify parts shown but not listed here, see Section 5, Low Dump Model Parts.

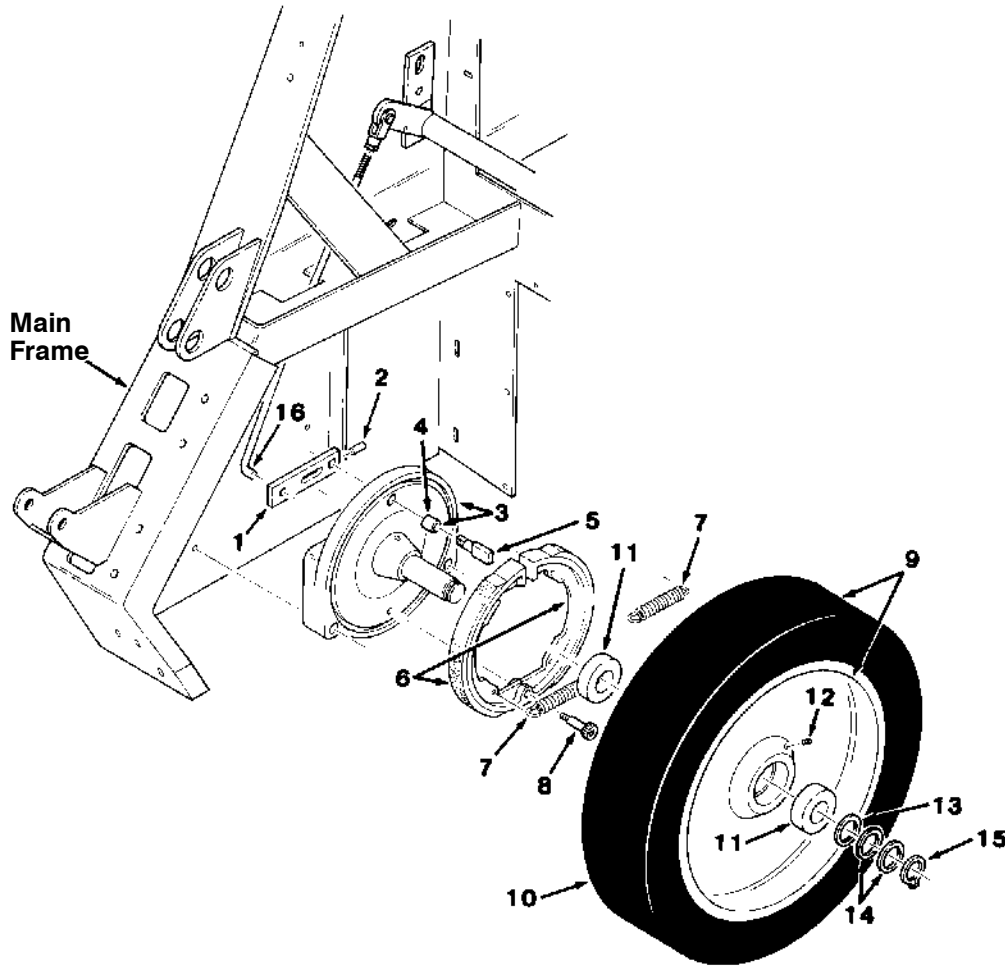


Fig. 10 – Front Wheel and Brakes Group, Multi-Level Dump

04459

Key	TENNANT® Part No.	Machine Serial Number	Description	Qty.
	82232	(00001-)	Axle Assembly, Front Brakes	2
1	23484	(00001-)	Arm	1
2	20021	(00001-)	Pin, Roll	1
3	08107	(00001-)	Axle and Bushing Assembly, Front	1
4	24992	(00001-)	Bushing, Sleeve	1
5	23272	(00001-)	Cam	1
6	56058	(00001-)	Shoe and Lining Assembly, Brake	2
7	09758	(00001-)	Spring, Tension	2
8	56060	(00001-)	Screw, Shoulder	1
	82230	(00001-)	Wheel Assembly, Front Brakes	2
9	82238	(00001-)	Wheel and Tire Assembly, Front	1
10	25197A	(00001-)	Tire	1
11	33816	(00001-)	Bearing, Ball	2
12	10552	(00001-)	Fitting, Plug	1
13	82226	(00001-)	Washer	2
14	82227	(00001-)	Washer	4
15	06442	(00001-)	Ring, Retainer	2
16	82219	(00001-)	Rod, Brakes Control	2

NOTE: To identify parts shown but not listed here, see Section 5, Low Dump Model Parts.

MULTI-LEVEL DUMP MODEL PARTS

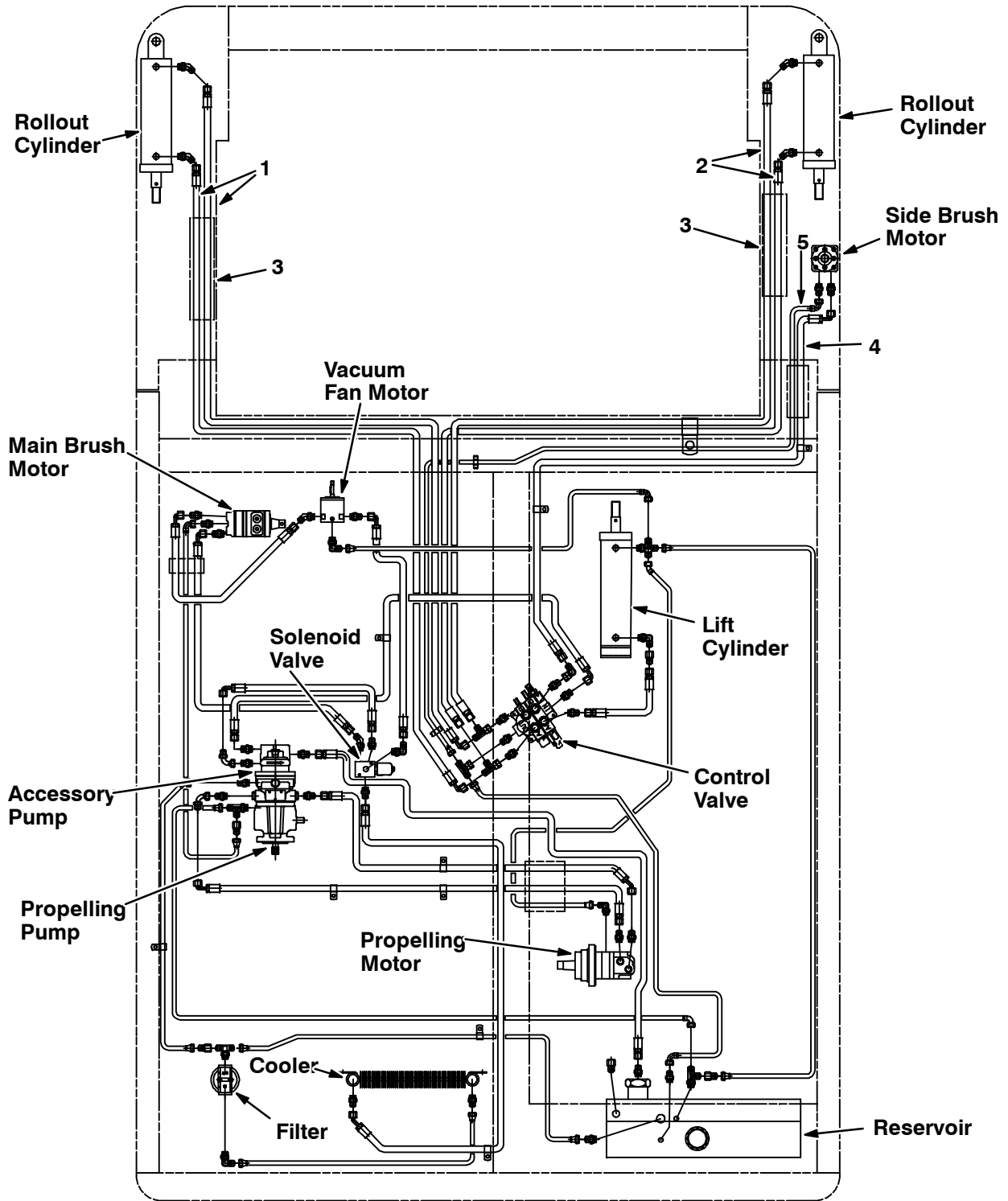


Fig. 11 – Hydraulic Hoses Group, Multi-Level Dump

04460

Key	TENNANT® Part No.	Machine Serial Number	Description	Qty.
1	82817	(000001 –)	Hose, Hydraulic	2
2	82815	(000001 –)	Hose, Hydraulic	2
3	82834	(000001 –)	Sleeve, Nylon	2
4	82816	(000001 –)	Hose, Hydraulic	1
5	82808	(000001 –)	Hose, Hydraulic	1

NOTE: To identify parts shown but not listed here, see Section 5, Low Dump Model Parts.

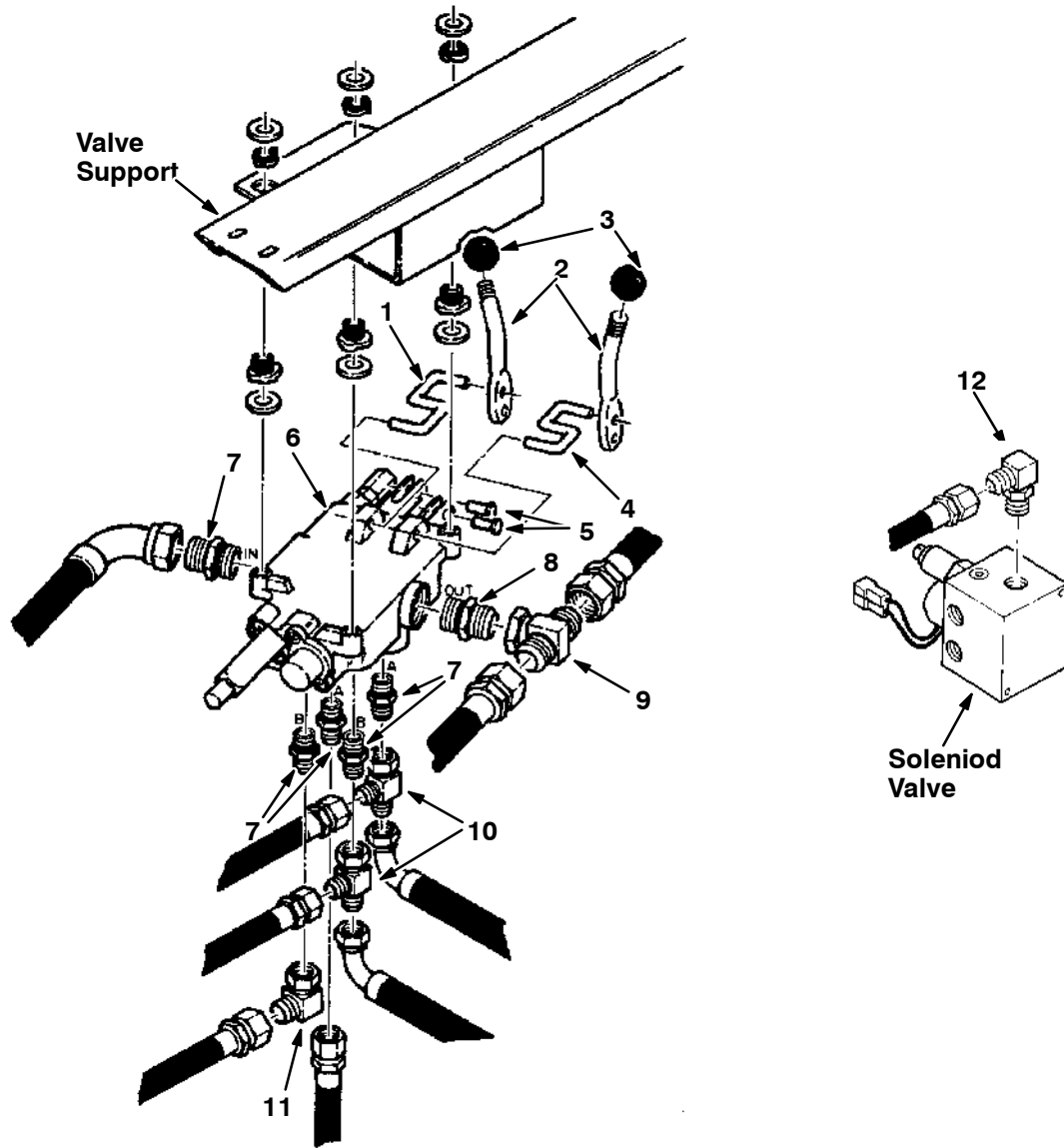


Fig. 12 – Hydraulic Control Valve Group, Multi-Level Dump

04461

Key	TENNANT Part No.	Machine Serial Number	Description	Qty.
1	82762	(000001-)	Link, S	1
2	02687	(000001-)	Handle, Valve Control	2
3	26156	(000001-)	Knob	2
4	32759	(000001-)	Link, S	1
5	14605	(000001-)	Pin, Clevis	2
6	34319	(000001-)	Valve, Hydraulic (See Hydraulic Components)	1
7	55686	(000001-)	Fitting, Straight	5
8	52402	(000001-)	Fitting, Straight	1
9	35586	(000001-)	Fitting, Tee	1
10	57988	(000001-)	Fitting, Tee	2
11	39210	(000001-)	Fitting, Elbow	1
12	44868	(000001-)	Fitting, Elbow	1

NOTE: To identify parts shown but not listed here, see Section 5, Low Dump Model Parts.

MULTI-LEVEL DUMP MODEL PARTS

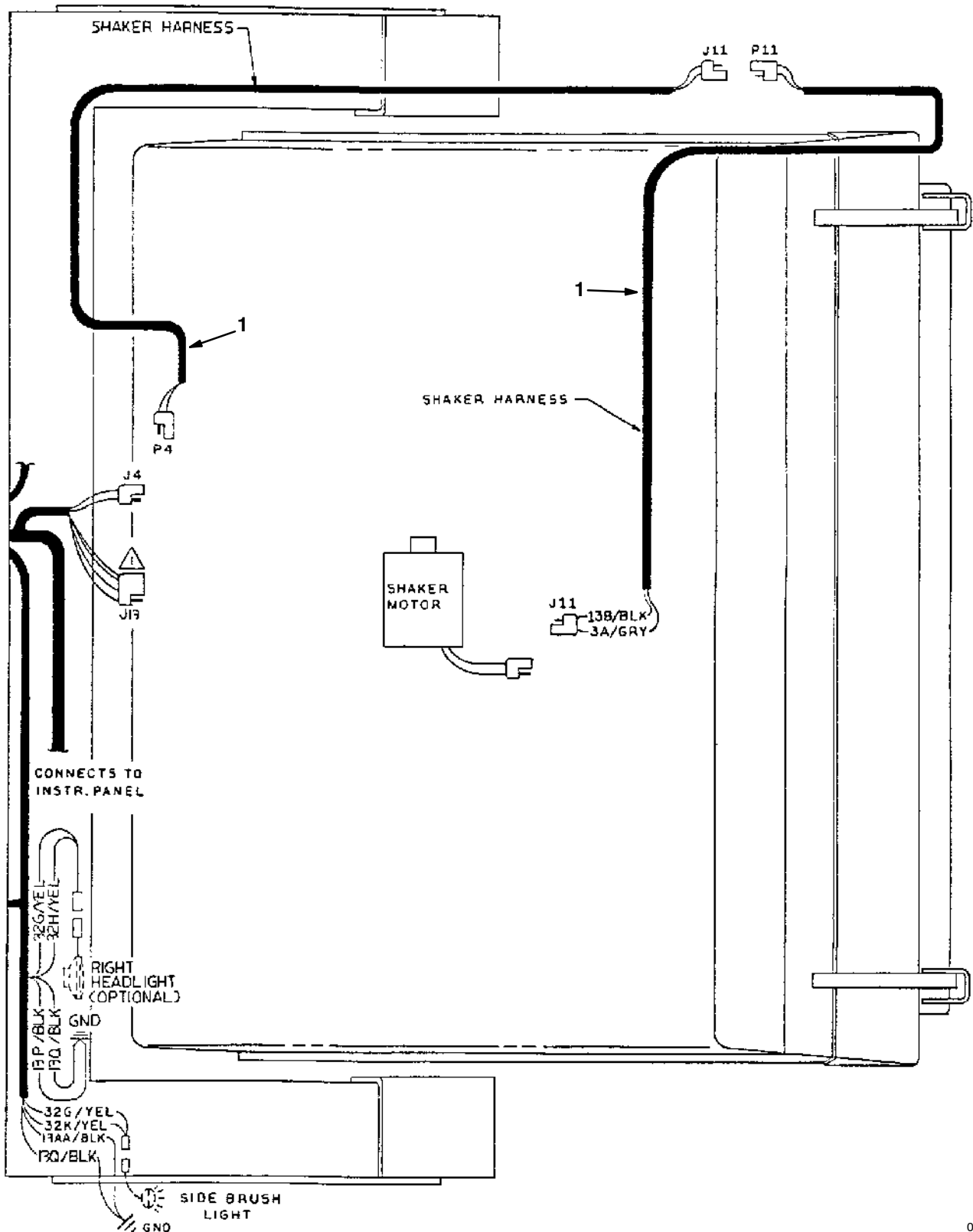


Fig. 13 - Wire Harnesses Group, Multi-Level Dump

04462

Key	TENNANT® Part No.	Machine Serial Number	Description	Qty.
1	07425	(00001-)	Wire Harness, Hopper	2

NOTE: To identify parts shown but not listed here, see Section 5, Low Dump Model Parts.

SECTION 7

CONTENTS

	Page		Page
ORDERING REPAIR PARTS	7-3	Fig. 36 – Spark Arresting Muffler Kit	7-44
Fig. 1 – Cab Kit	7-4	Fig. 37 – Hood Latch and Machine Tie-Down Kit	7-45
Fig. 2 – Snow Blade Kit	7-6	Fig. 38 – Protectoseal Fuel Tank Cap Kit	7-46
Fig. 3 – Snow Broom Kit	7-8	Fig. 39 – Fuel Tanks Group, LPG	7-46
Fig. 4 – Mount Frame Kit	7-10	Fig. 40 – Extra Reach Side Brush Group, Low Dump	7-47
Fig. 5 – Tire Chain Kit	7-11	Fig. 41 – Extra Reach Side Brush Group, Multi-Level Dump	7-48
Fig. 6 – Front Wheel Assembly, Low Dump ..	7-11	Fig. 42 – Rear Wheel Assembly, Foam filled ..	7-49
Fig. 7 – Headlight, Taillight, and Spotlight Kit, Lintel	7-12	Fig. 43 – Rear Wheel Assembly, Solid	7-49
Fig. 8 – Revolving Light Kit, Overhead Guard	7-14	Fig. 44 – Rear Wheel Assembly, Steelguard ..	7-50
Fig. 9 – Flashing Light Kit, Overhead Guard .	7-15	Fig. 45 – Heavy Duty Radiator Group	7-51
Fig. 10 – Revolving Light Kit, Shroud	7-16	Fig. 46 – Maximum Path Side Brush Group ..	7-52
Fig. 11 – Flashing Light Kit, Shroud	7-17	Fig. 47 – Hopper and Cover Group, RFS	7-54
Fig. 12 – Revolving Light Kit, Cab	7-18	Fig. 48 – Filter and Shaker Group, RFS	7-56
Fig. 13 – Flashing Light Kit, Cab	7-19	Fig. 49 – Vacuum System Group, RFS	7-58
Fig. 14 – Rear Squeegee Group	7-20	Fig. 50 – Electrical and Hydraulic Group, RFS	7-60
Fig. 15 – Side Squeegee Group	7-22	Fig. 51 – Switch and Circuit Group, RFS	7-62
Fig. 16 – Tire and Wheel Assembly	7-23	Fig. 52 – Wire Harnesses Group, RFS	7-63
Fig. 17 – Front Wheel Assembly	7-23		
Fig. 18 – Scrub Brush Drive Group	7-24		
Fig. 19 – Solution Tanks Group	7-26		
Fig. 20 – Recovery Tank Group	7-28		
Fig. 21 – Scrub Attachment Cam Group	7-30		
Fig. 22 – Main Scrubber Brush Group	7-31		
Fig. 23 – Instrument Panel Group	7-31		
Fig. 24 – Air Filter Safety Element Kit	7-32		
Fig. 25 – Clogged Filter Indicator Kit	7-33		
Fig. 26 – Hopper Dolly Assembly	7-34		
Fig. 27 – Dry Battery Kit	7-35		
Fig. 28 – Vacuum Wand Kit, Low Dump	7-36		
Fig. 29 – Vacuum Wand Group, Multi-level Dump	7-38		
Fig. 30 – Fuel Gauge Kit	7-40		
Fig. 31 – Battery Hold Down Kit	7-41		
Fig. 32 – Overhead Guard Kit	7-42		
Fig. 33 – Fire Extinguisher Kit	7-43		
Fig. 34 – Alternator Kit	7-43		
Fig. 35 – Suspension Seat Kit	7-44		

NOTE: SECTION 7, ACCESSORIES, lists repair parts included as part of the available accessories.

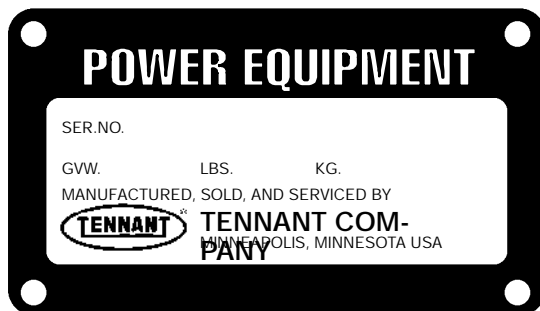
ORDERING REPAIR PARTS

The components used in this machine have been carefully selected for performance and safety. Use only Tennant Company specified or equivalent parts.

To receive prompt service in filling of your parts orders, please direct all orders for parts with Tennant Company part numbers to the Tennant Company, and all orders for parts with vendor part numbers to the local supplier of the respective vendor.

When ordering parts, please furnish all of the following information:

1. Machine model number - shown on the machine data plate.



2. Machine serial number - shown on the machine data plate.
3. Power source - gasoline, LPG, diesel, electric.
4. Company name.
5. Shipping address.
6. Billing address.
7. Name, first and last - of person ordering parts.
8. Telephone number.
9. Purchase order number.
10. Part number, description, and quantity - of each item on the order.

Do not order parts by key number or the figure number of the illustrated parts. Indented items indicate parts of assemblies. Standard hardware is furnished only when part of a purchased assembly. Please get hardware from a local hardware supplier.

If the old part cannot be identified, send it to us with the quantity needed specified on the order.

Any claim for loss or damage to a shipment in transit should be filed promptly against the transportation company making the delivery. Shipments will be complete unless the packing list or order acknowledgement indicate items back ordered.

If parts received are suspected to be incorrect or defective, please write, wire, or phone the Tennant Company representative from whom you ordered the part. They will give authorization for return and/or handle replacement shipments when required.

SERIAL NUMBER INFORMATION EXPLANATION

Serial number listings are shown to indicate on which machines each part can be used. These listings are explained by the following examples:

(000000–) The part can be used on all machines.

(003342–) The part can be used on all machines beginning with the serial number listed.

(000000–004320) The part can be used on all machines up to and including serial number listed.

(004321–005678) The part can be used on all machines between and including the serial numbers listed.

Where xxxxxx's are listed in place of a serial number, it indicates a change was made but the exact serial number had not been established when the catalog went to press.

SI UNITS OF MEASURE (INTERNATIONAL SYSTEM)

Metric equivalents have been included, where applicable, throughout this parts catalog.

FASTENER STRENGTH IDENTIFICATION

Fasteners required to have high-strength qualities equivalent to SAE Grade 8 are identified throughout this catalog by the description GR 8. Unless identified by this description, all standard fasteners are SAE Grade 5.

(Specifications and design subject to change without notice.)

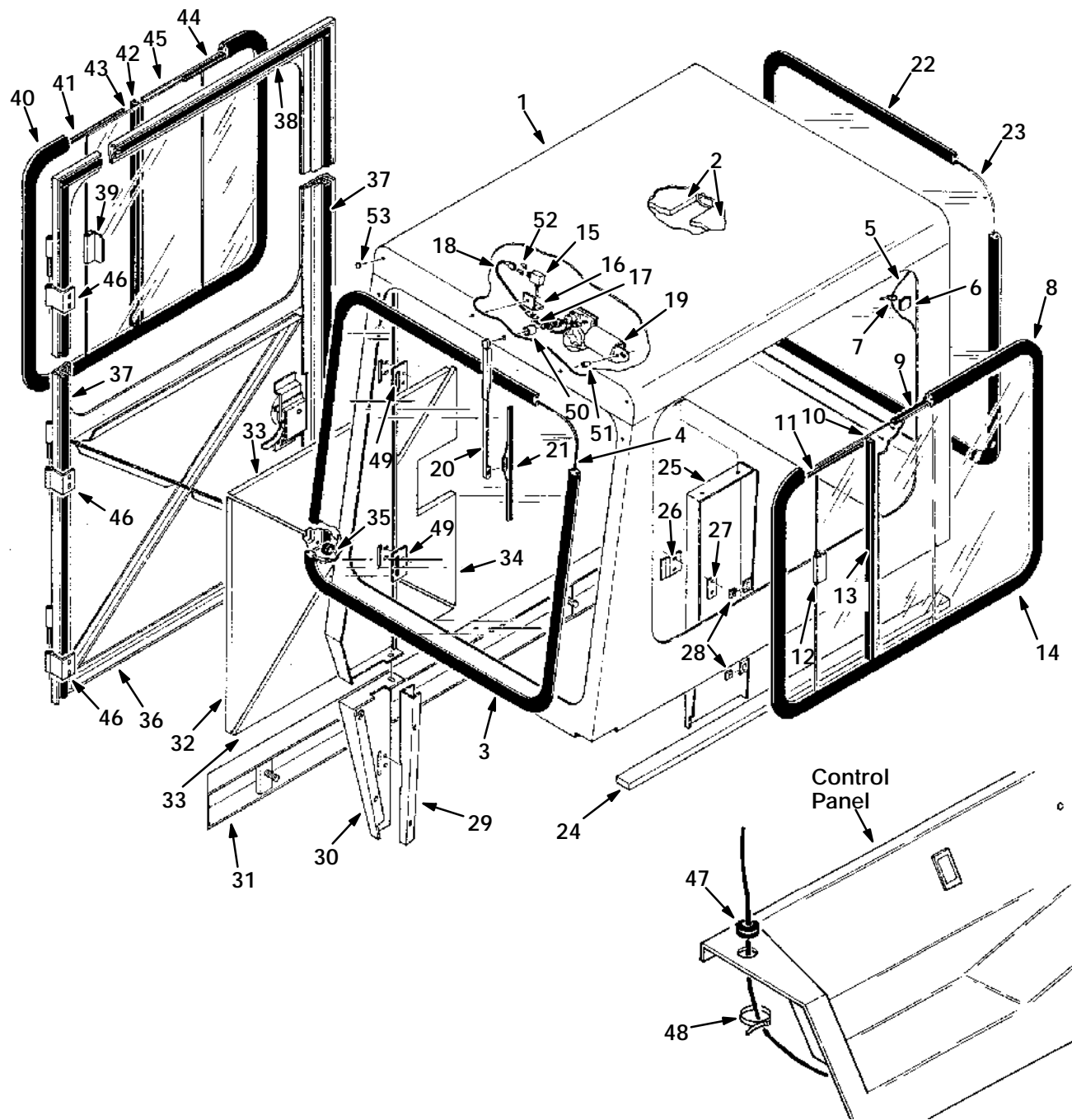


Fig. 1 -- Cab Kit

04476

Key	TENNANT® Part No.	Machine Serial Number	Description	Qty.
	82912	(000000-)	Cab Kit	1
	03253	(000000-)	Cab Assembly	1
1	03255	(000000-)	Cab	1
2	55398	(000000-)	Insulation, Foam	2
3	55349	(000000-)	Weather Strip	1
4	03234	(000000-)	Glass, Safety	1
5	07664	(000000-)	Wire Harness, Cab	1
6	55248	(000000-)	Mount, Cable Tie	2

NOTE: To identify parts shown but not listed here, see Section 5, Low Dump Model Parts.

ACCESSORIES

Key	TENNANT® Part No.	Machine Serial Number	Description	Qty.
7	49266	(000000-)	Tie, Cable	2
8	55393	(000000-)	Weather Strip	1
9	55395	(000000-)	Channel, Flexible	1
10	12039	(000000-)	Glass, Safety	1
11	55369	(000000-)	Spacer, Rubber	1
12	15066	(000000-)	Pull and Lock Set	1
	58974	(000000-)	Pad, Rubber	2
13	55368	(000000-)	Channel, Rigid	1
14	03238	(000000-)	Glass, Safety	1
15	10701	(000000-)	Switch, Toggle	1
16	62039	(000000-)	Bracket, L	1
17	07421	(000000-)	Plate, Switch	1
18	03282	(000000-)	Wire, Wiper Motor	1
19	02507	(000000-)	Motor, Wiper	1
20	15121	(000000-)	Arm, Wiper	1
21	23947	(000000-)	Blade, Wiper	1
22	82907	(000000-)	Weather Strip	1
23	03235	(000000-)	Glass, Stationary	1
24	03247	(000000-)	Seal, Foam Rubber	1
25	82917	(000000-)	Panel, Seat Support	1
26	55429	(000000-)	Strike, Plate	1
27	55431	(000000-)	Plate, Stiffener	1
28	61110	(000000-)	Nut, Retainer	3
29	55321	(000000-)	Channel, Bail	1
30	55322	(000000-)	Panel, Bail	1
31	55400	(000000-)	Bumper	1
	03243	(000000-)	Door Assembly, Cab	1
32	55758	(000000-)	Insulation, Foam	1
33	55757	(000000-)	Insulation, Foam	2
34	55759	(000000-)	Insulation, Foam	1
35	82921	(000000-)	Bumper, Rubber	1
36	03242	(000000-)	Door	1
37	55754	(000000-)	Seal, Side	2
38	55756	(000000-)	Seal, Top	1
39	15066	(000000-)	Pull and Lock Set	1
	58974	(000000-)	Pad, Rubber	2
40	55394	(000000-)	Weather Strip	1
41	55369	(000000-)	Spacer, Rubber	1
42	55368	(000000-)	Channel, Rigid	1
43	03237	(000000-)	Glass, Safety	1
44	55396	(000000-)	Channel, Flexible	1
45	12039	(000000-)	Glass, Safety	1
46	55761	(000000-)	Hinge	3
47	10632-2	(000000-)	Grommet	1
48	49266	(000000-)	Tie, Cable	1
49	55346	(000000-)	Plate, Hinge	2
50	03280	(000000-)	Spacer	1
51	03281	(000000-)	Spacer	1
52	48252	(000000-)	Tab, Terminal	2
53	33806	(000000-)	Plugbutton	4

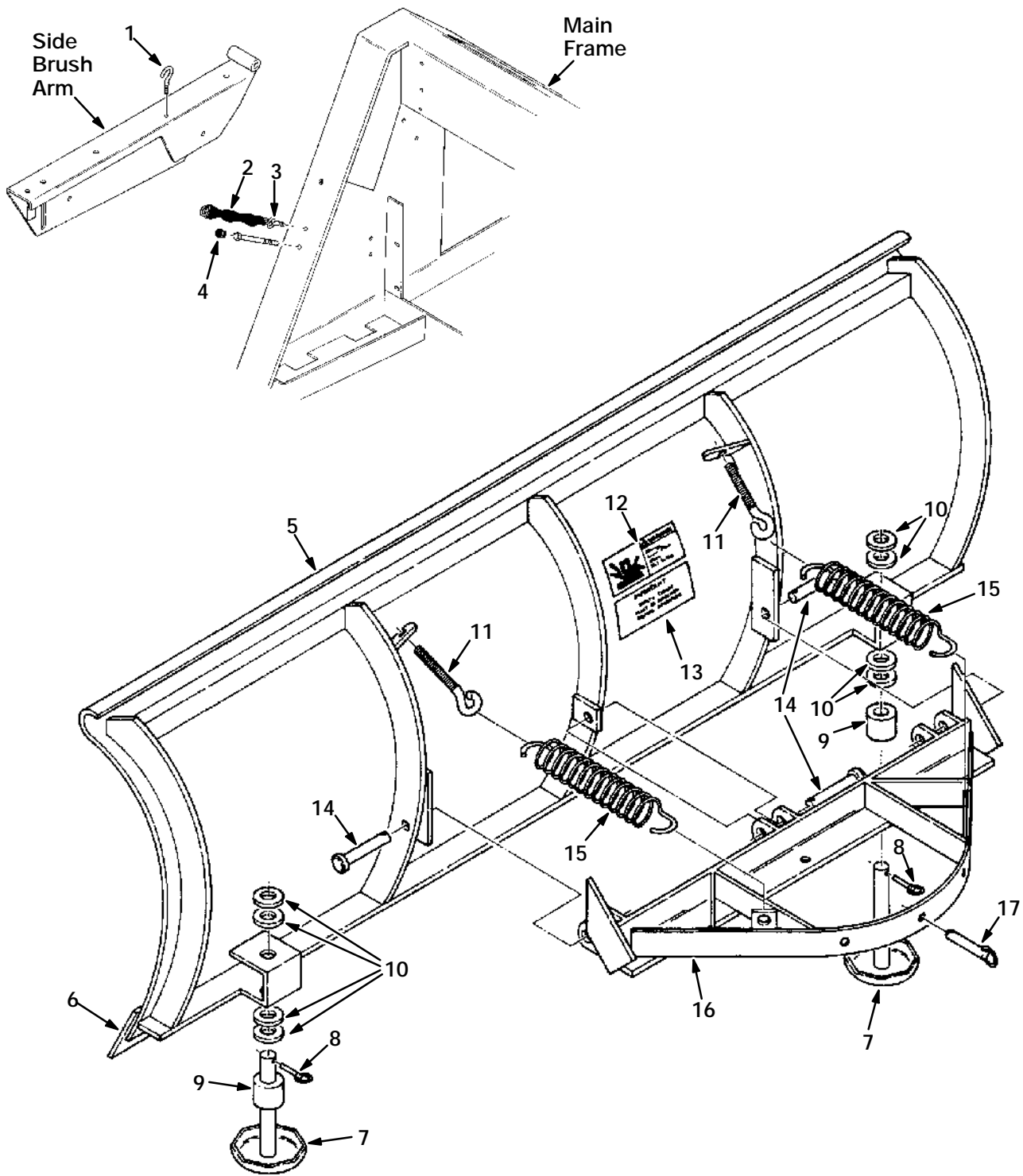


Fig. 2 -- Snow Blade Kit

NOTE: To identify parts shown but not listed here, see Section 5, Low Dump Model Parts.

Fig. 2 -- Snow Blade Kit

NOTE: Snow Blade Kit, TENNANT® Part Number 37136, includes Fig. 2, 4, 5, and 26.

Key	TENNANT® Part No.	Machine Serial Number	Description	Qty.
	47714	(000000-)	Snow Blade Kit	1
1	21097	(000000-)	Hook, Eyebolt	1
2	47280	(000000-)	Chain Assembly	1
3	11893	(000000-)	Eyebolt	1
4	01318	(000000-)	Tip, Rubber	1
5	31301	(000000-)	Blade Assembly	1
6	08050	(000000-)	Cutting Edge	1
7	08046	(000000-)	Disc Shoe Assembly	2
8	08046	(000000-)	Pin, Linch	2
9	08048	(000000-)	Spacer	2
10	32969	(000000-)	Washer	38
11	47713-2	(000000-)	Eyebolt	2
12	32180	(000000-)	Decal, Hazard	1
13	47477	(000000-)	Decal, Safety Chains	1
14	47713-3	(000000-)	Pin, Clevis	3
15	47713-1	(000000-)	Spring	2
16	31302	(000000-)	Quadrant Assembly	1
17	47715	(000000-)	Pin, Quick Release	1

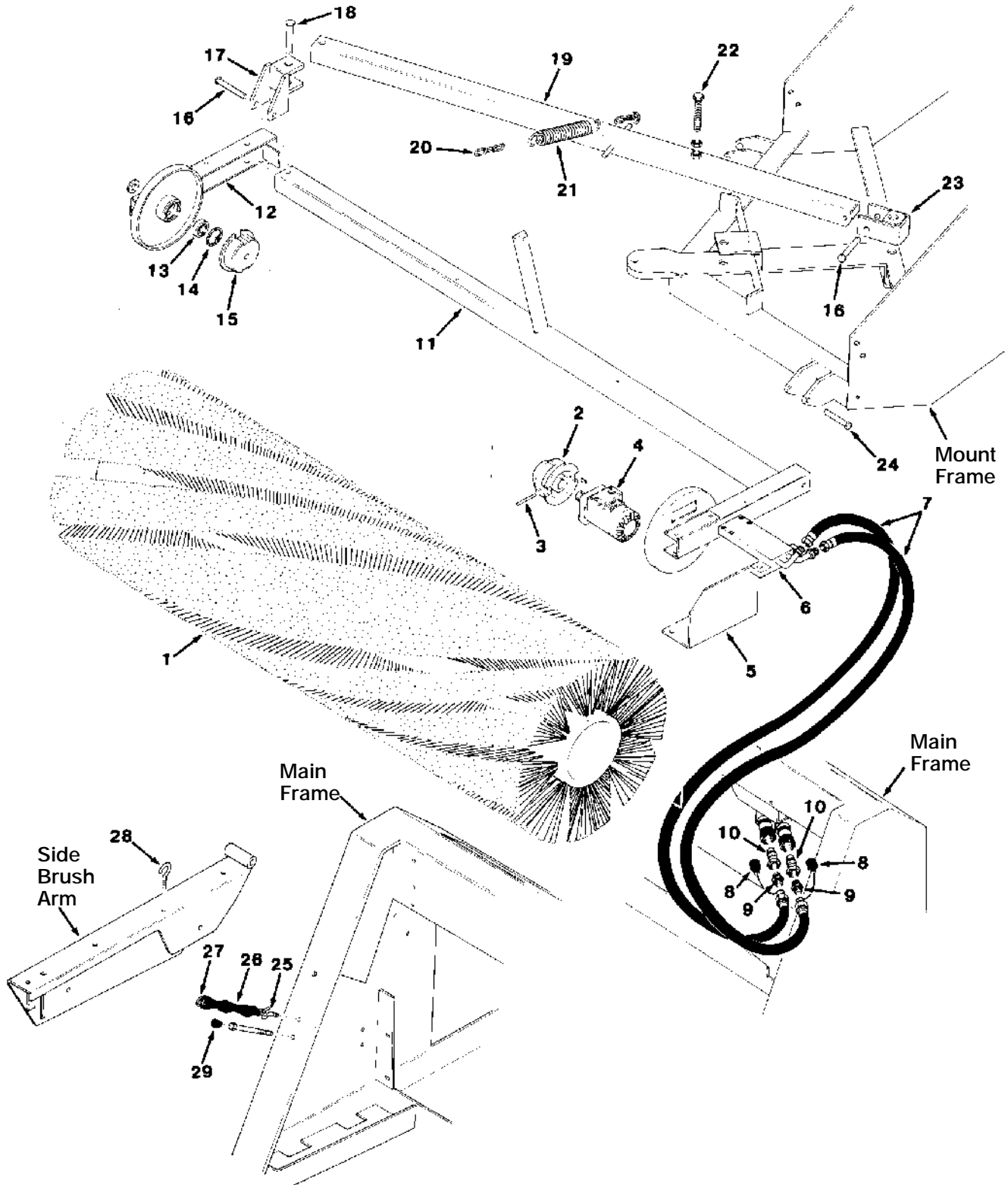


Fig. 3 -- Snow Broom Kit

NOTE: To identify parts shown but not listed here, see Section 5, Low Dump Model Parts.

Fig. 3 -- Snow Broom Kit

NOTE: Snow Broom Kit, TENNANT® Part Number 02629, includes Fig. 3, 4, 5, and 26.

Key	TENNANT Part No.	Machine Serial Number	Description	Qty.
	82082	(000000-)	Broom Kit, Snow	1
1	24741	(000000-)	Broom	1
2	24743	(000000-)	Plug, Drive	1
3	11516	(000000-)	Pin, Roll	1
4	27787	(000000-)	Motor, Hydraulic (See Hydraulic Components)	1
5	32162	(000000-)	Bracket, Bumper	1
6	82079	(000000-)	Block, Porting	1
7	82081	(000000-)	Hose, Hydraulic	2
8	33862	(000000-)	Cap, Dust	2
9	44869	(000000-)	Fitting, Straight	2
10	65084-1	(000000-)	Fitting, Coupling, Male	2
11	24705	(000000-)	Frame, Broom	1
12	24704	(000000-)	Frame, Broom, R.H.	1
13	46390	(000000-)	Bearing, Ball	1
14	10464	(000000-)	Ring, Retaining	1
15	07037	(000000-)	Plug, Brush	1
16	06474A	(000000-)	Pin, Clevis	2
17	24724	(000000-)	Yoke	1
18	24729	(000000-)	Pin, Clevis	1
19	24737	(000000-)	Arm, Broom Support	1
20	24769	(000000-)	Chain, Coil	1
21	24776	(000000-)	Spring, Tension	1
22	41177	(000000-)	Screw, Hex	1
23	24721	(000000-)	Pivot, End, Bracket	1
24	23191	(000000-)	Pin, Clevis	1
25	11893	(000000-)	Bolt, Eye	1
26	46567	(000000-)	Hose, Rubber	1
27	40758	(000000-)	Chain, Link	1
28	21097	(000000-)	Hook	1
29	01318	(000000-)	Tip, Rubber	1
	24787	(000000-)	Decal, Warning, Windrow Broom	1

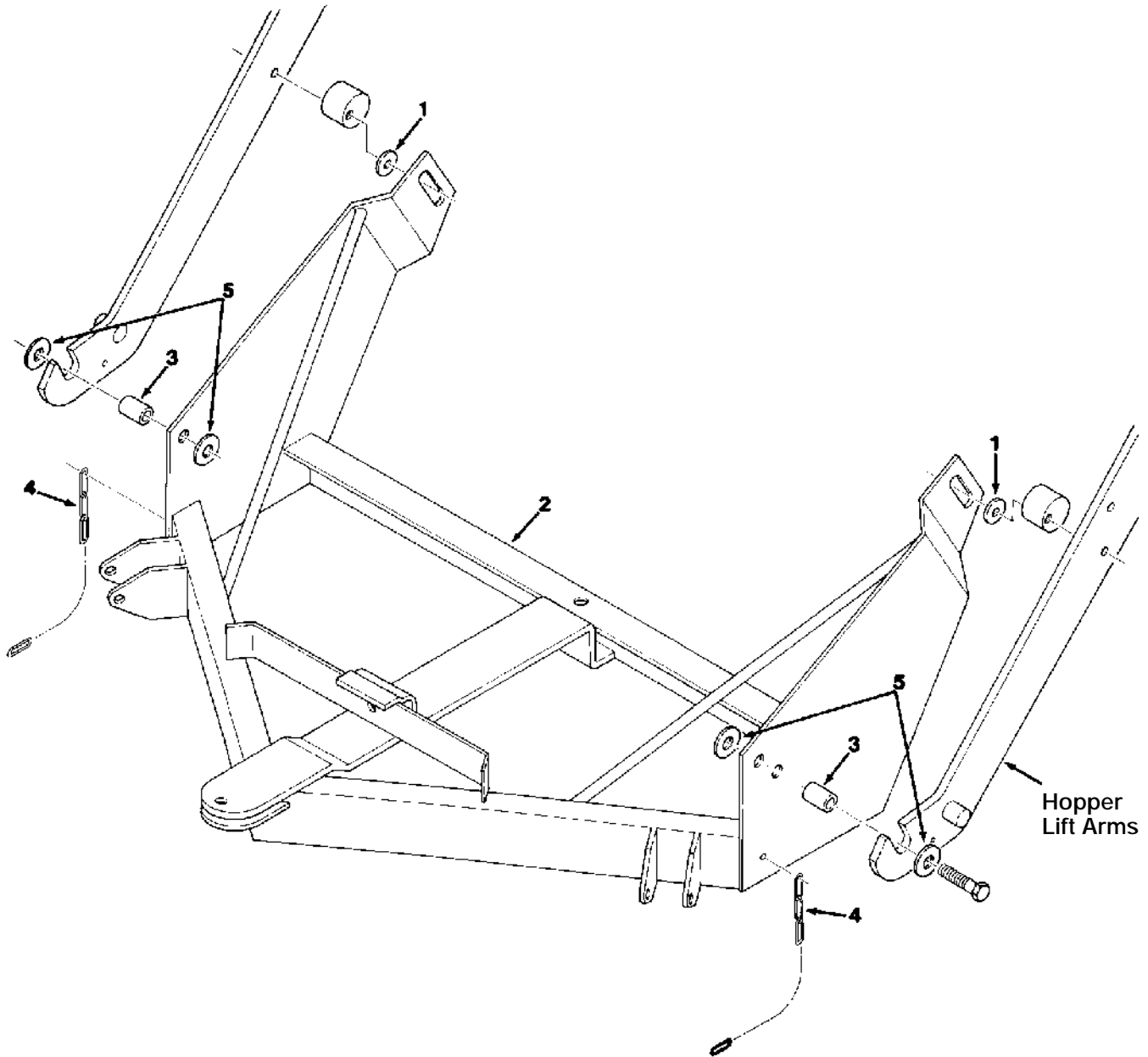


Fig. 4 -- Mount Frame Kit

02596

NOTE: Snow Broom Kit, TENNANT® Part Number 02629, includes Fig. 3, 4, 5, and 26. Snow Blade Kit, TENNANT® Part Number 37136, includes Fig. 2, 4, 5, and 26.

Key	TENNANT® Part No.	Machine Serial Number	Description	Qty.
	24767	(000000-)	Frame Kit, Mount	1
1	07027	(000000-)	Sleeve	2
2	24706	(000000-)	Frame, Mounting	1
3	24728	(000000-)	Sleeve	2
4	32321	(000000-)	Chain, Coil	2
5	32494	(000000-)	Washer	4

NOTE: To identify parts shown but not listed here, see Section 5, Low Dump Model Parts.

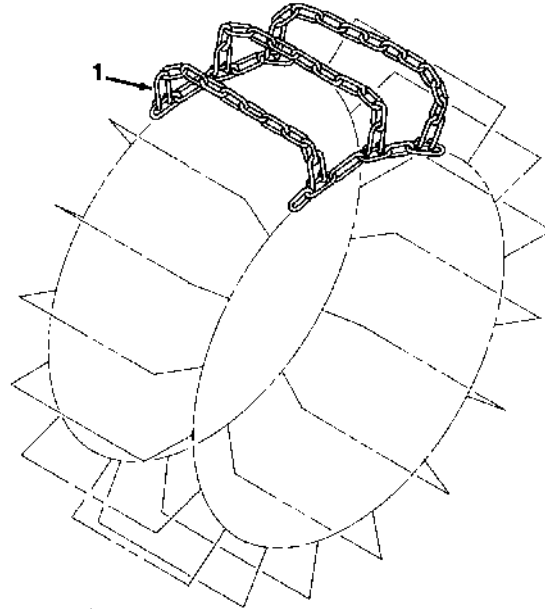


Fig. 5 -- Tire Chain Kit

02591

NOTE: Snow Broom Kit, TENNANT® Part Number 02629, includes Fig. 3, 4, 5, and 26. Snow Blade Kit, TENNANT® Part Number 37136, includes Fig. 2, 4, 5, and 26.

Key	TENNANT® Part No.	Machine Serial Number	Description	Qty.
1	53848	(000000-)	Chain, Tire	1

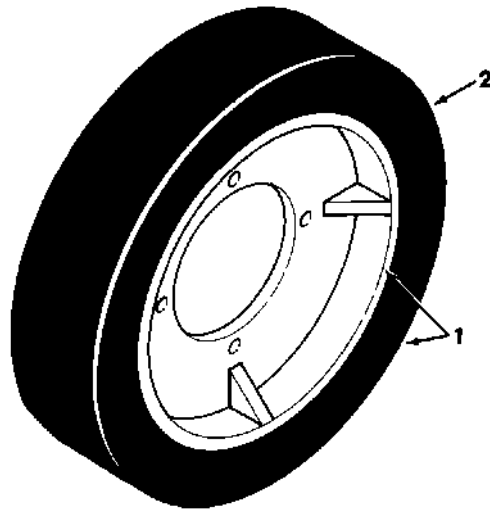


Fig. 6 -- Front Wheel Assembly, Low Dump

02616

Key	TENNANT® Part No.	Machine Serial Number	Description	Qty.
1	24120	(000000-)	Tire and Wheel Assembly, Front, Solid	2
2	25197A	(000000-)	Tire, Solid	1

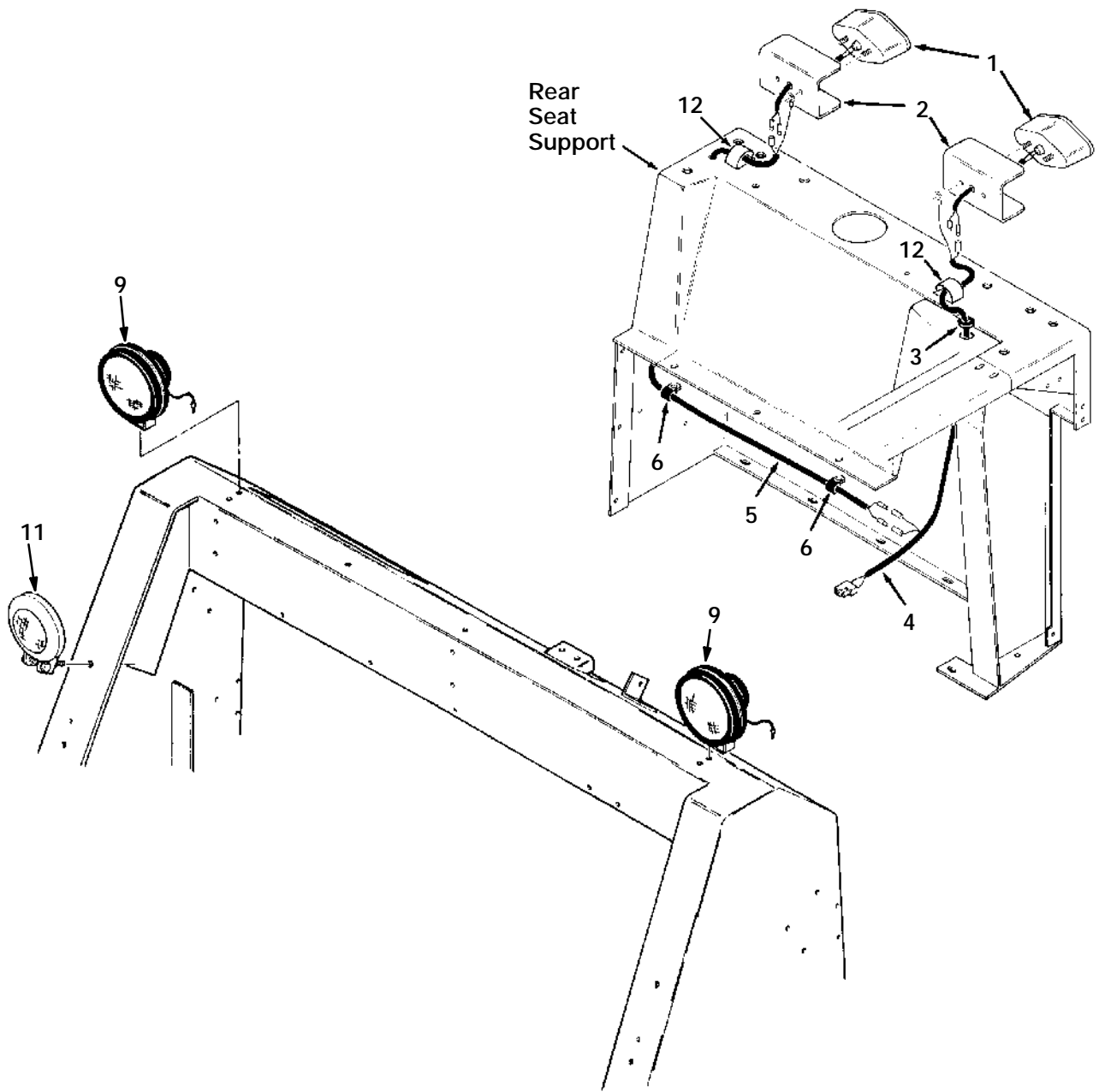


Fig. 7 -- Headlight, Taillight, and Spotlight Kit, Lintel

NOTE: To identify parts shown but not listed here, see Section 5, Low Dump Model Parts.

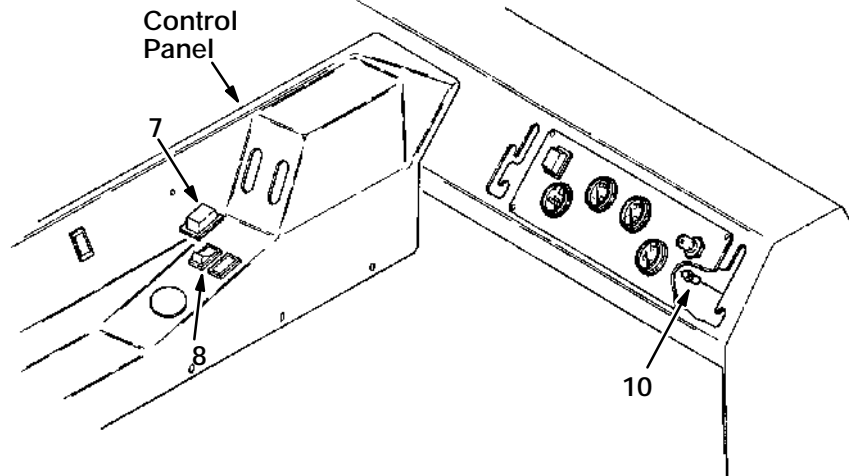


Fig. 7 -- Headlight, Taillight, and Spotlight Kit, Lintel

04463

Key	TENNANT® Part No.	Machine Serial Number	Description	Qty.
1	02692	(000000-)	Light Kit, Headlight, Taillight and Spotlight	1
	55274	(000000-)	Taillight	2
	45780	(000000-)	Bulb	1
2	82725	(000000-)	Guard, Light	2
3	10632-2	(000000-)	Grommet	1
4	82707	(000000-)	Wire Harness, L.H.	1
5	82735	(000000-)	Wire Harness, R.H.	1
6	40678	(000000-)	Clamp, Cable	3
7	57807	(000000-)	Seal, Switch	1
8	31965	(000000-)	Switch, Rocker	1
9	19827	(000000-)	Headlight	2
	51570	(000000-)	Lamp	1
10	55271	(000000-)	Light, Instrument	4
11	82595	(000000-)	Spotlight Assembly	1
	32827	(000000-)	Bulb	1
12	82637	(000000-)	Clamp, Cable	2
	55272	(000000-)	Terminal, Snap Plug	1
	49266	(000000-)	Tie, Cable	4
	55248	(000000-)	Mount, Cable Tie	1

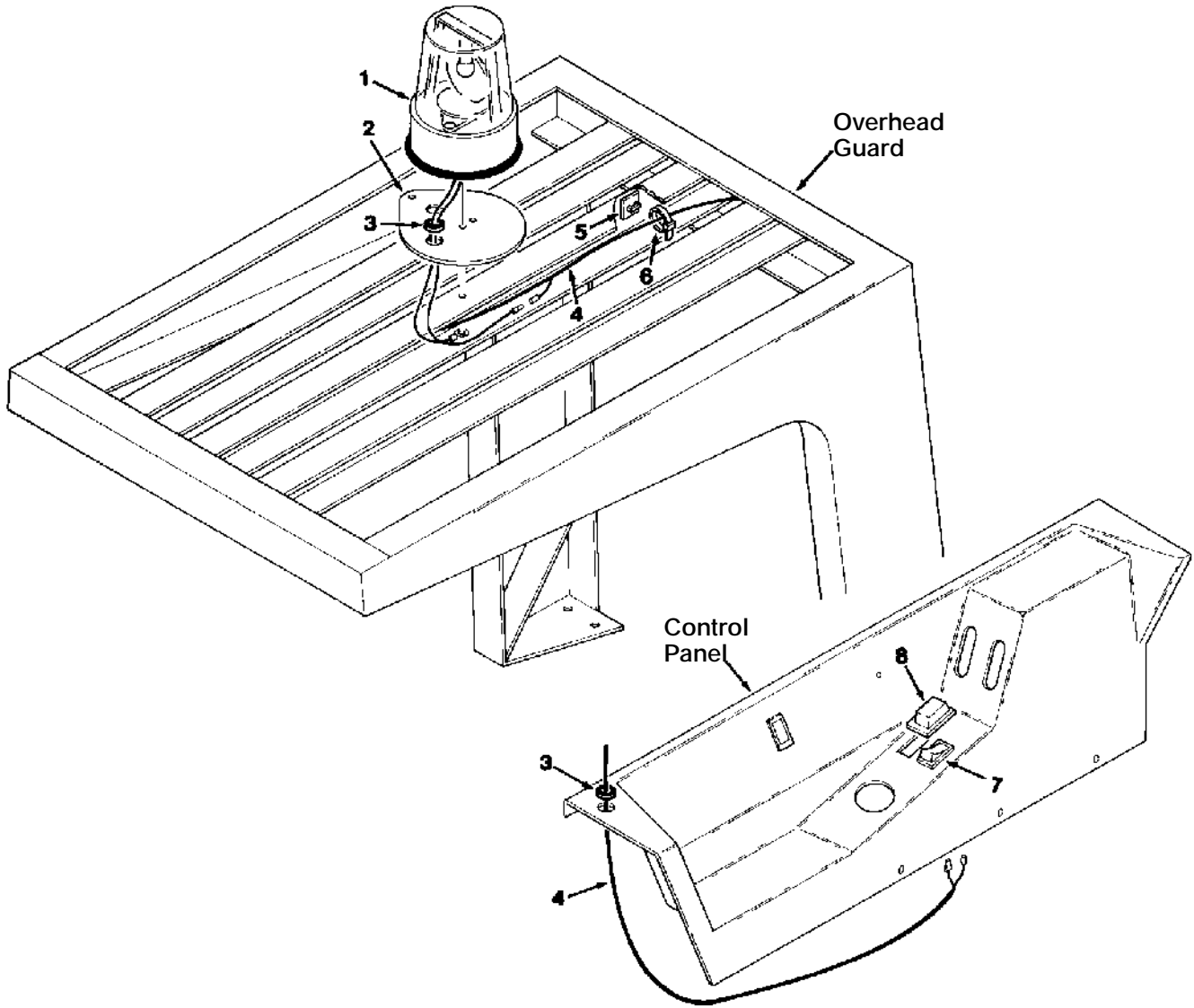


Fig. 8 -- Revolving Light Kit, Overhead Guard

02605

Key	TENNANT® Part No.	Machine Serial Number	Description	Qty.
1	82066	(000000-)	Light Kit, Revolving, Amber	1
	82200	(000000-)	Light Assembly, Revolving	1
	45779	(000000-)	Bulb	1
	44681-1	(000000-)	Lens, Amber	1
2	57220	(000000-)	Plate, Mounting	1
	10632-2	(000000-)	Grommet	2
3	10632-2	(000000-)	Grommet	2
4	07664	(000000-)	Wire Harness	1
5	55248	(000000-)	Mount, Cable Tie	8
6	49266	(000000-)	Tie, Cable	9
7	31965	(000000-)	Switch, Rocker	1
8	57807	(000000-)	Seal, Switch	1
	44681	(000000-)	Lens, Red	1
	44681-2	(000000-)	Lens, Blue	1

NOTE: To identify parts shown but not listed here, see Section 5, Low Dump Model Parts.

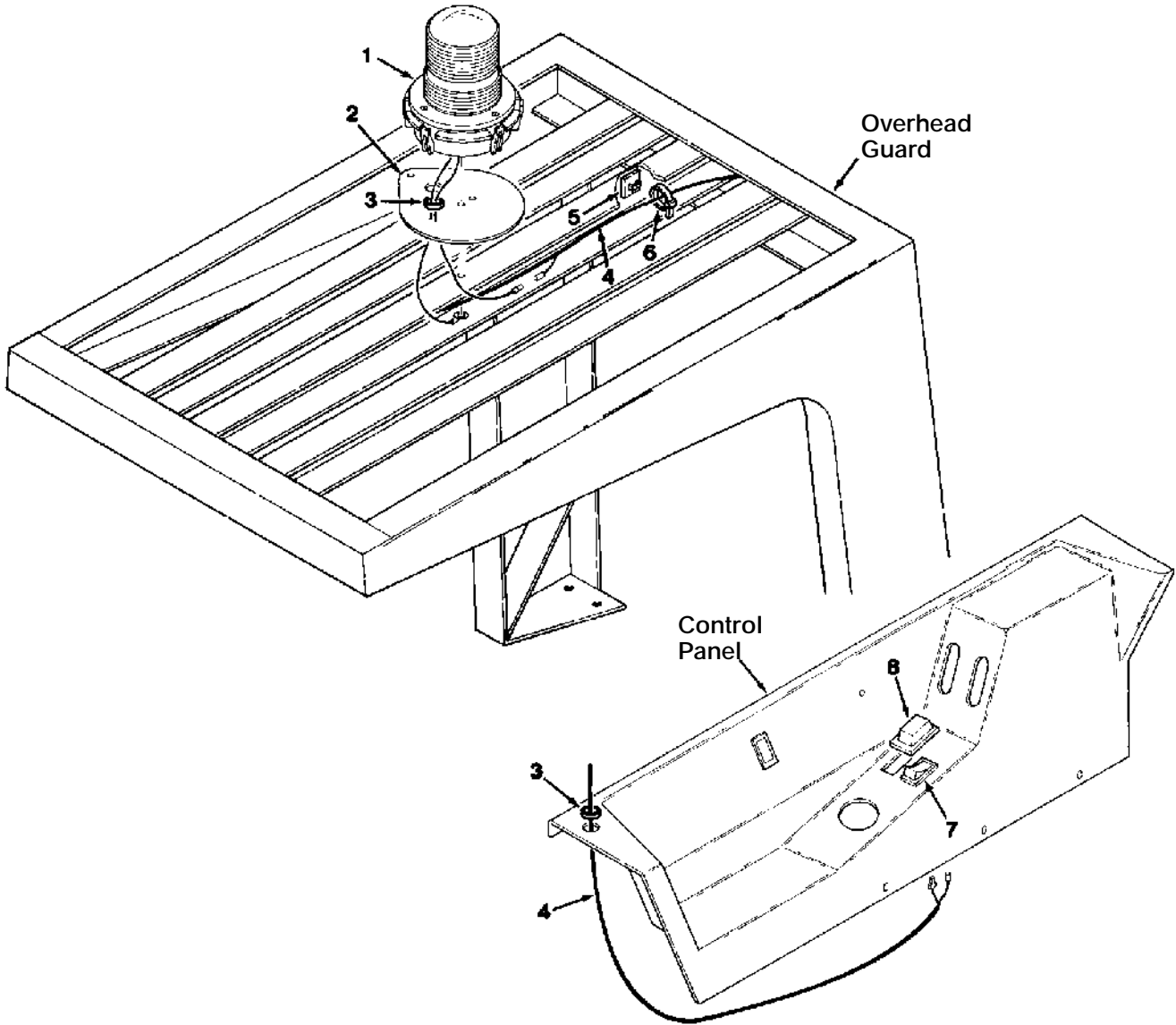


Fig. 9 -- Flashing Light Kit, Overhead Guard

02606

Key	TENNANT® Part No.	Machine Serial Number	Description	Qty.
1	82072	(000000-)	Light Kit, Flashing, Amber	1
	82063	(000000-)	Light Assembly, Flashing	1
	58520	(000000-)	Lens, Amber	1
	45779	(000000-)	Bulb	1
2	57220	(000000-)	Plate	1
3	10632-2	(000000-)	Grommet	2
4	07664	(000000-)	Wire Harness	1
5	55248	(000000-)	Mount, Cable Tie	8
6	49266	(000000-)	Tie, Cable	9
7	31965	(000000-)	Switch, Rocker	1
8	57807	(000000-)	Seal, Switch	1
	58518	(000000-)	Lens, Red	1
	58519	(000000-)	Lens, Blue	1

NOTE: To identify parts shown but not listed here, see Section 5, Low Dump Model Parts.

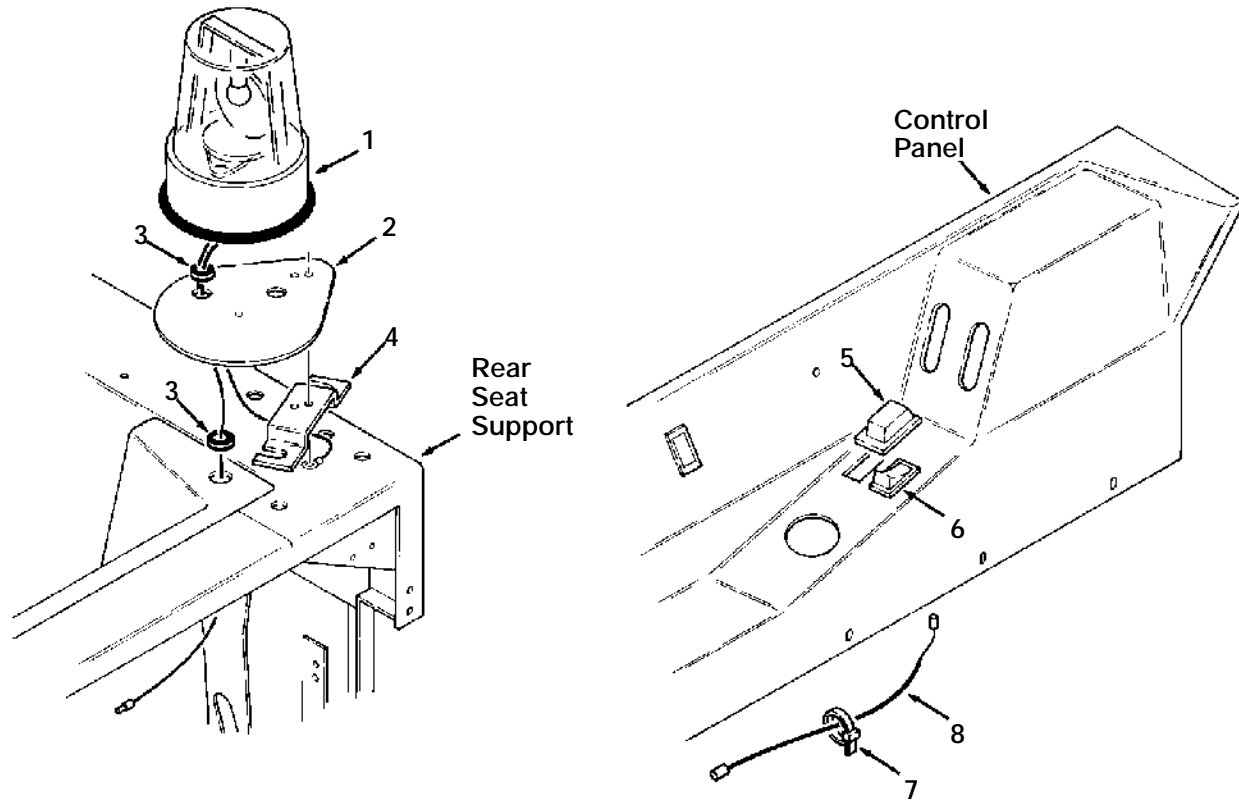


Fig. 10 -- Revolving Light Kit, Shroud

02618

Key	TENNANT® Part No.	Machine Serial Number	Description	Qty.
1	82064	(000000-)	Light Kit, Revolving, Amber	1
	82200	(000000-)	Light Assembly, Revolving	1
	45779	(000000-)	Bulb	1
	44681-1	(000000-)	Lens, Amber	1
2	57220	(000000-)	Plate, Mounting	1
	10632-2	(000000-)	Grommet	2
4	82738	(000000-)	Bracket, Mounting	1
5	57807	(000000-)	Seal, Switch	1
6	31965	(000000-)	Switch, Rocker	1
7	49266	(000000-)	Tie, Cable	1
8	82062	(000000-)	Wire Harness	1
	44681	(000000-)	Lens, Red	1
	44681-2	(000000-)	Lens, Blue	1

NOTE: To identify parts shown but not listed here, see Section 5, Low Dump Model Parts.

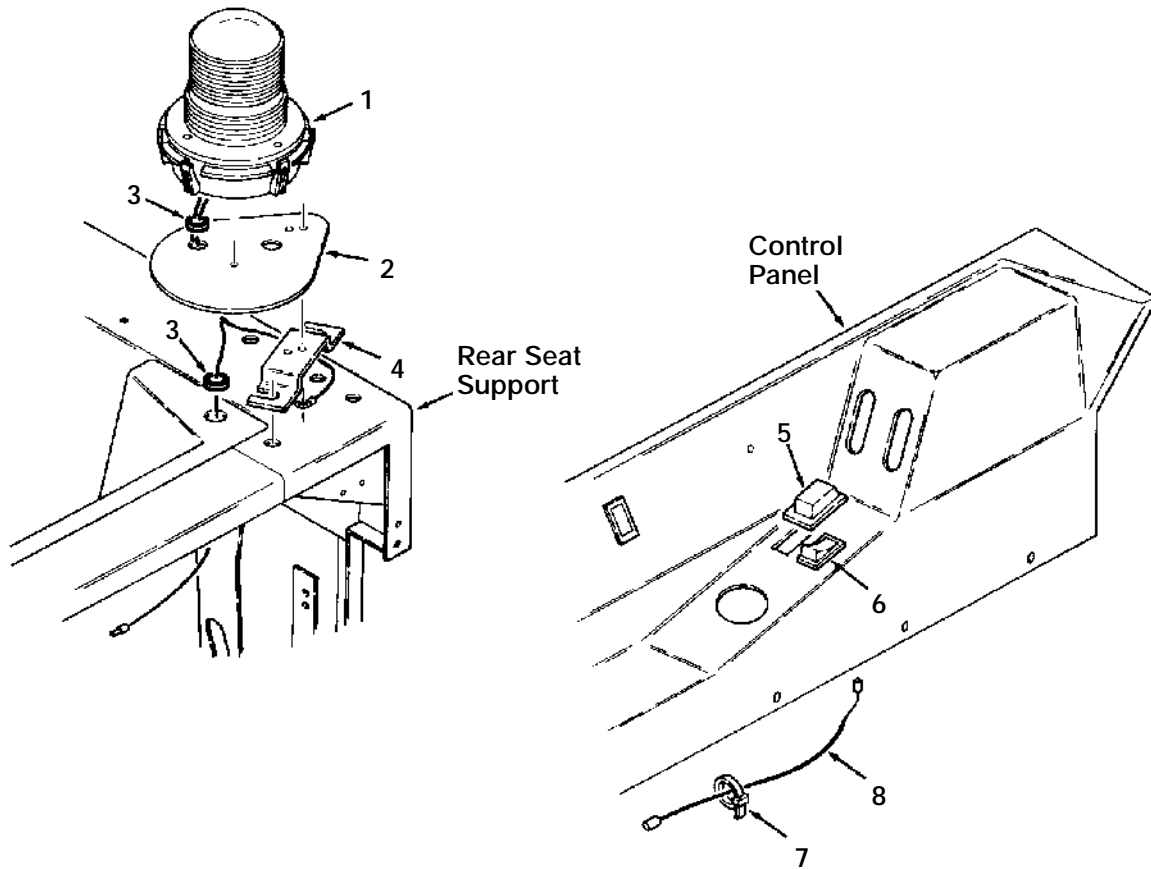


Fig. 11 -- Flashing Light Kit, Shroud

02619

Key	TENNANT® Part No.	Machine Serial Number	Description	Qty.
1	82070	(000000-)	Light Kit, Flashing, Amber	1
	82063	(000000-)	Light Assembly, Flashing	1
	58520	(000000-)	Lens, Amber	1
	45779	(000000-)	Bulb	1
2	57220	(000000-)	Plate, Mounting	1
3	10632-2	(000000-)	Grommet	2
4	82738	(000000-)	Bracket, Mounting	1
5	57807	(000000-)	Seal, Switch	1
6	31965	(000000-)	Switch, Rocker	1
7	49266	(000000-)	Tie, Cable	1
8	82062	(000000-)	Wire Harness	1
	58518	(000000-)	Lens, Red	1
	58519	(000000-)	Lens, Blue	1

NOTE: To identify parts shown but not listed here, see Section 5, Low Dump Model Parts.

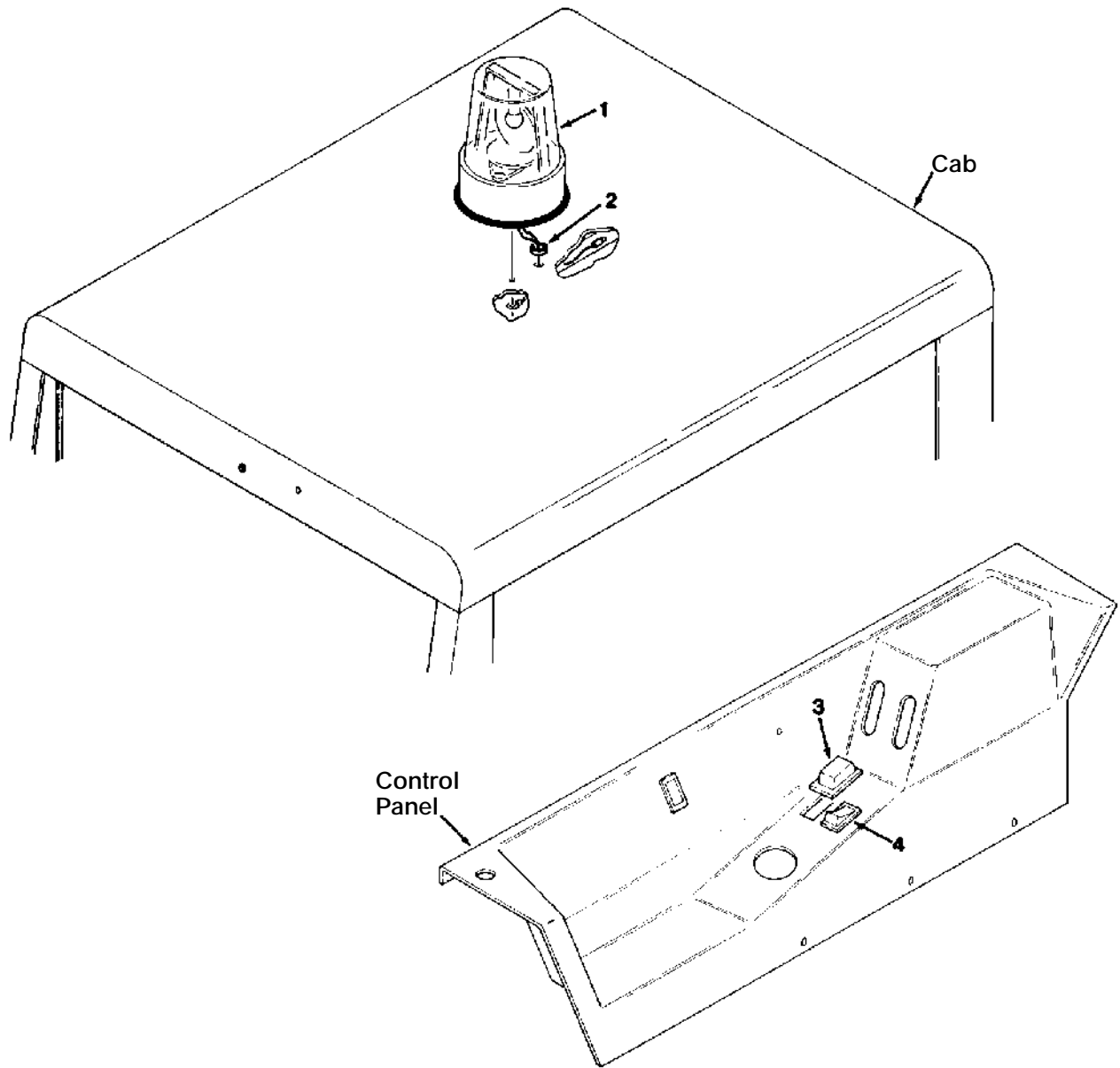


Fig. 12 -- Revolving Light Kit, Cab

02620

Key	TENNANT® Part No.	Machine Serial Number	Description	Qty.
1	82068	(000000-)	Light Kit, Revolving, Amber	1
	82200	(000000-)	Light Assembly, Revolving	1
	45779	(000000-)	Bulb	1
	44681-1	(000000-)	Lens, Amber	1
2	10632-20	(000000-)	Grommet	1
3	57807	(000000-)	Seal, Switch	1
4	31965	(000000-)	Switch, Rocker	1
	44681	(000000-)	Lens, Red	1
	44681-2	(000000-)	Lens, Blue	1

NOTE: To identify parts shown but not listed here, see Section 5, Low Dump Model Parts.

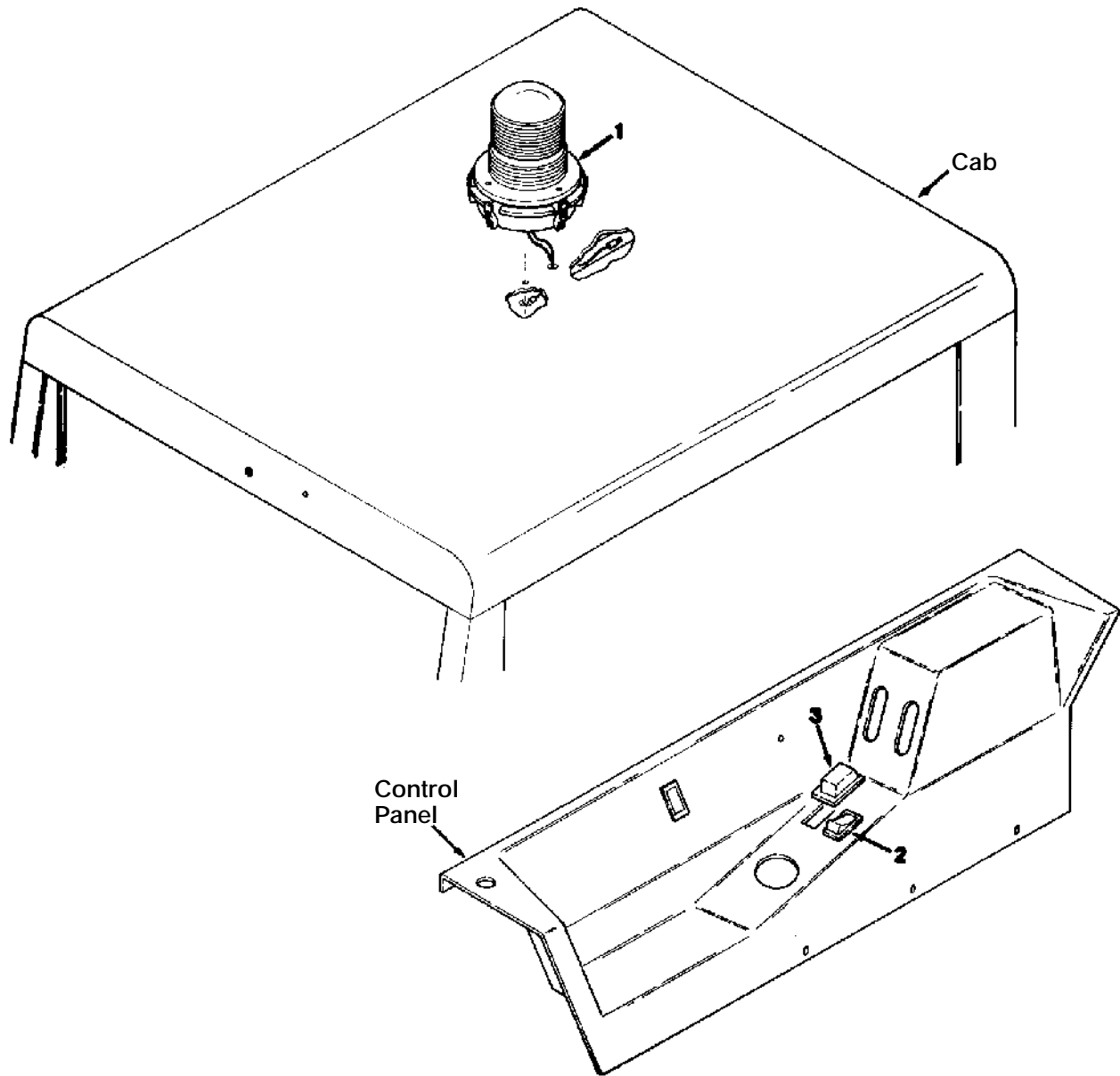


Fig. 13 -- Flashing Light Kit, Cab

02621

Key	TENNANT® Part No.	Machine Serial Number	Description	Qty.
1	82074	(000000-)	Light Kit, Flashing, Amber	1
	82063	(000000-)	Light Assembly, Flashing	1
	58520	(000000-)	Lens, Amber	1
	45779	(000000-)	Bulb	1
2	31965	(000000-)	Switch, Rocker	1
				1
3	57807	(000000-)	Seal, Switch	1
	08317	(000000-)	Sealant, Silastic	1
	58518	(000000-)	Lens, Red	1
	58519	(000000-)	Lens, Blue	1

NOTE: To identify parts shown but not listed here, see Section 5, Low Dump Model Parts.

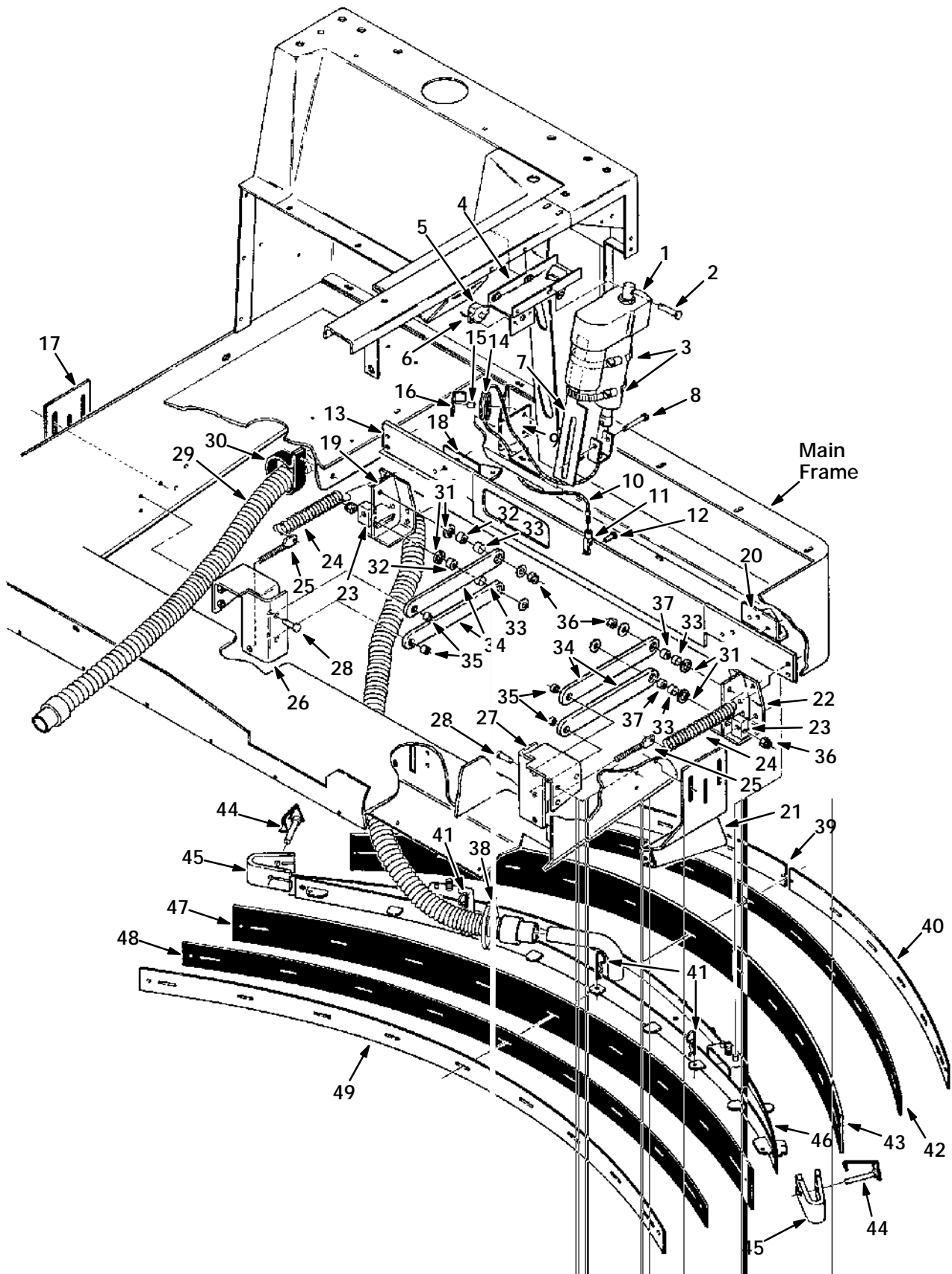


Fig. 14 -- Rear Squeegee Group

NOTE: To identify parts shown but not listed here, see Section 5, Low Dump Model Parts.

Fig. 14 -- Rear Squeegee Group

NOTE: Squeezees and Control Kit, TENNANT® Part Number 07513, includes Fig. 14, 15, 16, and 21.

Key	TENNANT® Part No.	Machine Serial Number	Description	Qty.
1	68853	(000000-)	Actuator, Side Brush Lift	1
2	63147	(000000-)	Pin, Clevis	1
3	22297	(000000-)	Clamp, Worm Drive	2
4	12005	(000000-)	Mount, Squeegee Actuator	1
5	63030	(000000-)	Circuit Breaker, 17.5A	1
6	68106	(000000-)	Tab, Terminal	2
7	07529	(000000-)	Angle, Rotation Stop	1
8	06279	(000000-)	Pin, Clevis	1
9	07063	(000000-)	Bracket, Pulley, Lift	1
10	12008	(000000-)	Cable, Squeegee Lift	1
11	14595-1	(000000-)	Clevis, Adjustable	1
12	51727	(000000-)	Pin, Clevis	1
13	07585	(000000-)	Bar, Squeegee Lift	1
14	58279	(000000-)	Pulley, Cable	1
15	07469	(000000-)	Sleeve	1
16	36077	(000000-)	Bracket, L	1
17	11938	(000000-)	Guard, Squeegee, R.H.	1
18	11925	(000000-)	Angle, Squeegee Mount, R.H.	1
19	30383	(000000-)	Bracket, Link, R.H.	1
20	11924	(000000-)	Angle, Squeegee Mount, L.H.	1
21	11939	(000000-)	Guard, Squeegee, L.H.	1
22	30384	(000000-)	Bracket, Link, L.H.	1
23	69459	(000000-)	Block, Pivot	2
24	07503	(000000-)	Spring, Tension	2
25	30386	(000000-)	Bolt, Eye	2
26	11918	(000000-)	Mount, Linkage, R.H.	1
27	11915	(000000-)	Mount, Linkage, L.H.	1
28	29557	(000000-)	Pin, Clevis	4
29	07477	(000000-)	Hose and Cuff Assembly	1
30	47795-1	(000000-)	Strap, Rubber	1
31	07448	(000000-)	Bearing, Thrust	4
32	07384	(000000-)	Spacer, Link	2
33	07449	(000000-)	Bearing, Fiberglide	4
34	07351	(000000-)	Link	4
35	07447	(000000-)	Bearing, Bronze	4
36	59156	(000000-)	Nut, Nylon Hex	4
37	07382	(000000-)	Spacer, Link	2
	04175	(000000-)	Squeegee Assembly, Rear	1
38	49263	(000000-)	Tie, Cable	1
39	11959	(000000-)	Retainer, Squeegee, R.H.	1
40	11958	(000000-)	Retainer, Squeegee, L.H.	1
41	02942	(000000-)	Pin, Hair Cotter	3
42	11957	(000000-)	Squeegee, Rear Back-Up	1
43	07051	(000000-)	Blade, Rear Squeegee	1
44	02662	(000000-)	Pin Assembly, Keeper	2
45	11961	(000000-)	Bumper, Squeegee End	2
46	07478	(000000-)	Frame, Squeegee	1
47	11952	(000000-)	Blade, Front Squeegee	1
48	11956	(000000-)	Squeegee, Front Back-Up	1
49	11951	(000000-)	Band Squeegee, Front	1

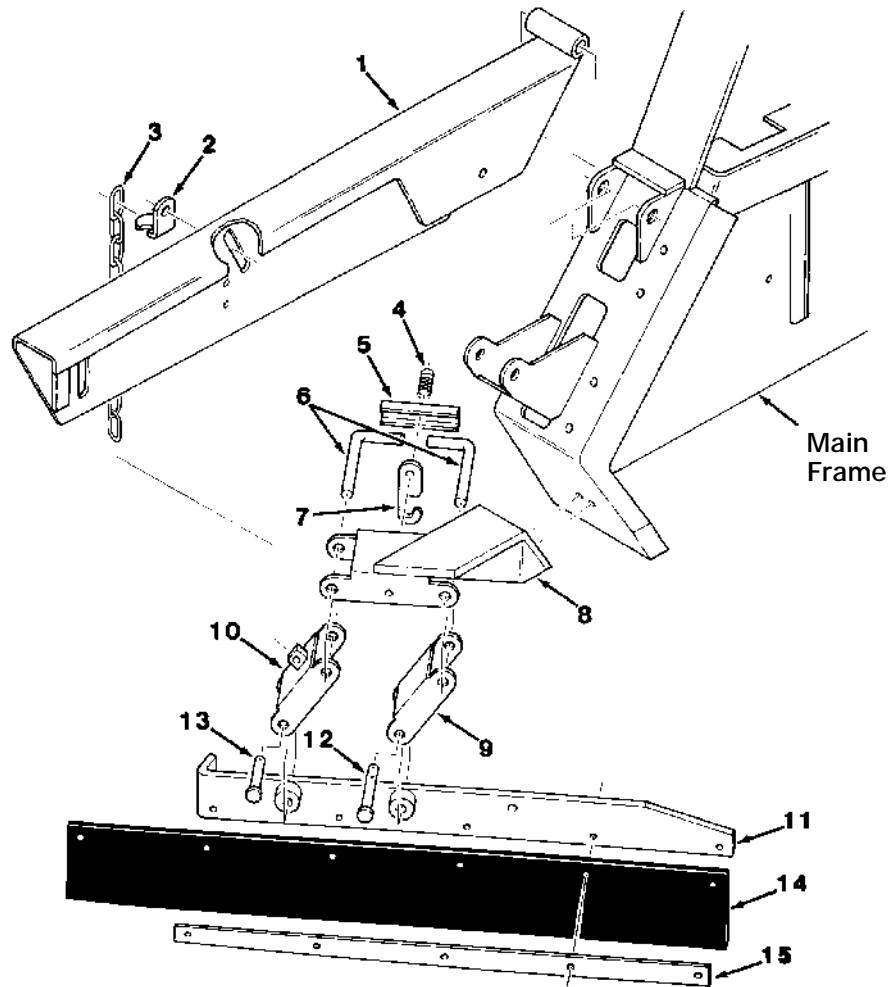


Fig. 15 -- Side Squeegee Group

02729

NOTE: Squeegees and Control Kit, TENNANT® Part Number 07513, includes Fig. 14, 15, 16, and 21.

Key	TENNANT® Part No.	Machine Serial Number	Description	Qty.
1	48062-1	(000000-)	Arm, Side, R.H.	1
2	43499	(000000-)	Bracket, Clip	1
3	43500	(000000-)	Chain	1
4	04428A	(000000-)	Spring, Compression	1
5	43204	(000000-)	Channel	1
6	43299	(000000-)	Pin	2
7	43549	(000000-)	Catch	1
8	43497	(000000-)	Support, Squeegee	1
9	43295	(000000-)	Link	1
10	43317	(000000-)	Link Assembly	1
11	43291	(000000-)	Support, Squeegee, Back	1
12	43553	(000000-)	Pin, Clevis	1
13	43290	(000000-)	Pin, Clevis	1
14	60013	(000000-)	Squeegee, Side	1
15	43294	(000000-)	Retainer	1

NOTE: To identify parts shown but not listed here, see Section 5, Low Dump Model Parts.

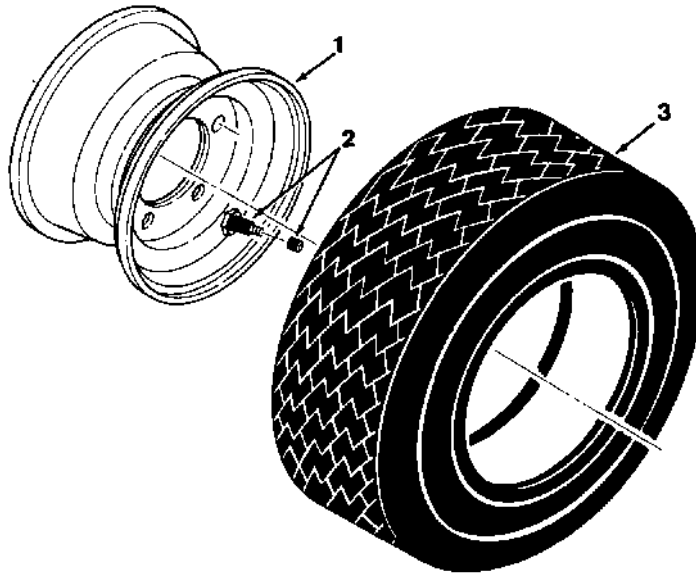


Fig. 16 -- Tire and Wheel Assembly

02727

NOTE: Squeegees and Control Kit, TENNANT® Part Number 07513, includes Fig. 14, 15, 16, and 21.

Key	TENNANT® Part No.	Machine Serial Number	Description	Qty.
	82245	(000000-)	Tire and Wheel Assembly	1
1	82225	(000000-)	Wheel	1
2	75365	(000000-)	Stem, Valve	1
3	47525	(000000-)	Tire	1

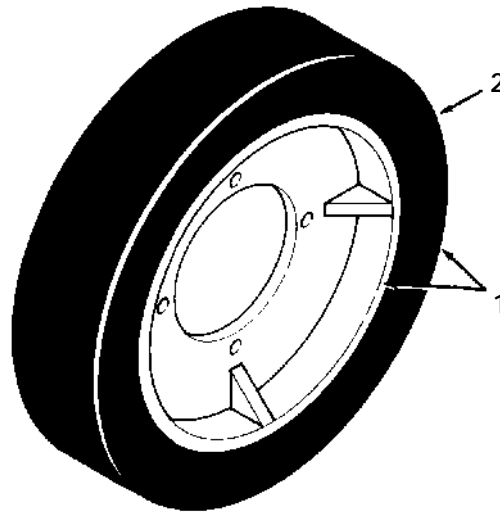


Fig. 17 -- Front Wheel Assembly

02616

Key	TENNANT® Part No.	Machine Serial Number	Description	Qty.
1	24120	(000000-)	Tire and Wheel Assembly, Front, Solid	2
2	25197A	(000000-)	Tire, Solid	1

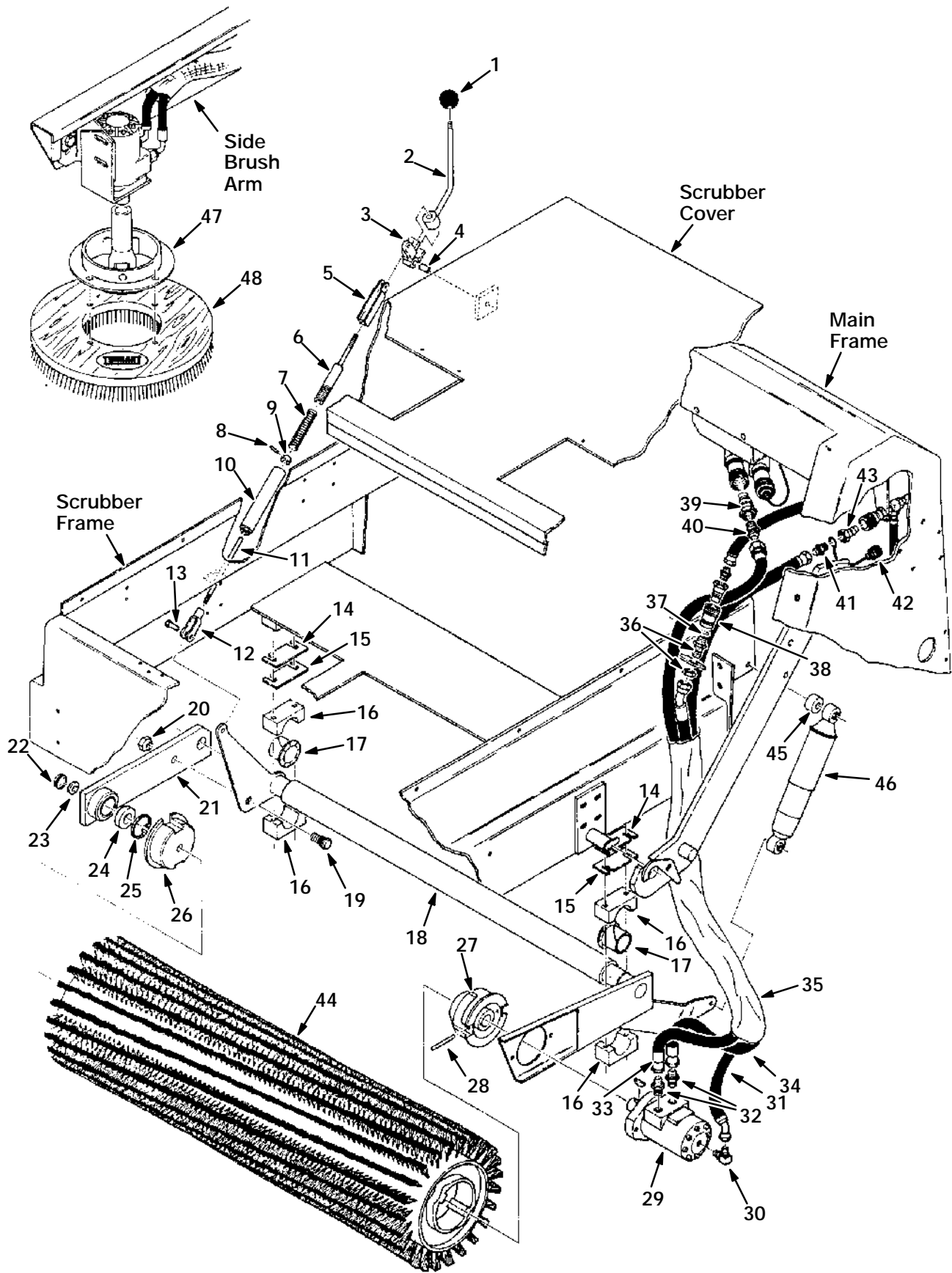


Fig. 18 -- Scrub Brush Drive Group

NOTE: To identify parts shown but not listed here, see Section 5, Low Dump Model Parts.

Fig. 18 -- Scrub Brush Drive Group

NOTE: Scrubber Attachment Kit, Tennant® Part Number 07436, includes Fig. 18, 19, 20, 22, 23, and 26.

Key	TENNANT® Part No.	Machine Serial Number	Description	Qty.
1	26156	(000000-)	Knob	1
2	03024	(000000-)	Handle, Scrub Brush Lift	1
3	43086	(000000-)	Crank	1
4	26065	(000000-)	Bushing, Sleeve	1
5	43502	(000000-)	Clevis	1
6	43505	(000000-)	End, Cylinder	1
7	43164	(000000-)	Spring, Compression	1
8	20160	(000000-)	Pin, Roll	1
9	43116	(000000-)	Collar	1
10	43096	(000000-)	Cylinder, Spring	1
11	82893	(000000-)	Rod, Brush Lift	1
12	14330	(000000-)	Yoke, Adjustable End	1
13	14331	(000000-)	Pin, Clevis	1
14	46642-1	(000000-)	Shim	4
15	46642-2	(000000-)	Shim	2
16	46605	(000000-)	Block, Bearing	2
17	46443	(000000-)	Bushing, Flange	2
18	43491	(000000-)	Arm and Shaft, Brush Lift	1
19	32126	(000000-)	Stud, Wheel	1
20	24339	(000000-)	Nut, Angle Wheel	1
21	46442	(000000-)	Arm, Brush	1
22	47178-13	(000000-)	Plugbutton	1
23	07026	(000000-)	Sleeve	1
24	46390	(000000-)	Bearing, Ball	1
25	10464	(000000-)	Ring, Retaining	1
26	07037	(000000-)	Plug, Brush	1
27	24743	(000000-)	Plug, Brush Drive	1
28	11398	(000000-)	Pin, Roll	1
29	27796	(000000-)	Motor, Hydraulic (See Hydraulic Components)	1
30	77097	(000000-)	Fitting, Elbow	1
31	82648	(000000-)	Hose, Hydraulic	1
32	56692	(000000-)	Fitting, Straight	2
33	34356	(000000-)	Hose, Hydraulic	1
34	82506	(000000-)	Hose, Hydraulic	1
35	31646	(000000-)	Sleeve, Nylon	1
36	82918	(000000-)	Fitting, Straight	1
37	77006	(000000-)	Seal, O-Ring	1
38	65084-2	(000000-)	Fitting, Coupling Half, Female	1
39	65084-1	(000000-)	Fitting, Coupling Half, Male	1
40	44869	(000000-)	Fitting, Straight	1
41	06678	(000000-)	Fitting, Straight	1
42	33798	(000000-)	Cap, Dust	1
43	34413	(000000-)	Fitting, Coupling Half, Male	1
44	43592	(000000-)	Brush, Scrub, 24 Row Polypropylene	1
45	43653	(000000-)	Sleeve	1
46	43652	(000000-)	Absorber, Shock	1
47	02663	(000000-)	U-Joint Assembly, Side Brush Drive	1
48	43148	(000000-)	Brush, Side Scrub, Polypropylene	1

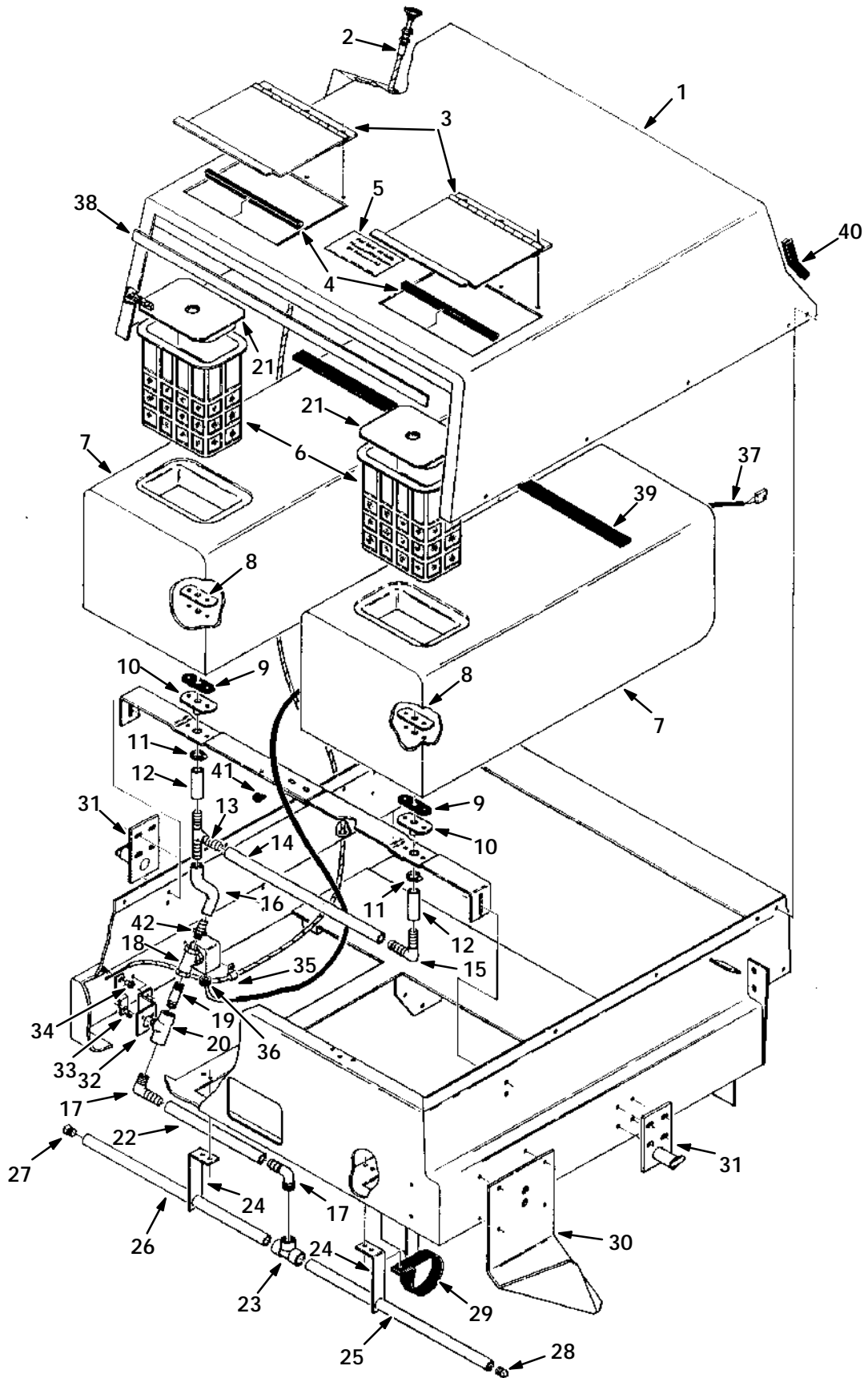


Fig. 19 -- Solution Tanks Group

Fig. 19 -- Solution Tanks Group

NOTE: Scrubber Attachment Kit, Tennant® Part Number 07436, includes Fig. 18, 19, 20, 22, 23, and 26.

Key	TENNANT® Part No.	Machine Serial Number	Description	Qty.
1	82949	(000000-)	Cover, Scrubber	1
2	03074	(000000-)	Cable, Control	1
3	43287	(000000-)	Lid	2
4	49282	(000000-)	Molding, Rigid	2
5	46847	(000000-)	Label, Detergent Recommended	1
6	43516A	(000000-)	Basket, Soap	2
7	82887	(000000-)	Tank, Detergent	2
8	43056	(000000-)	Flange	2
9	43016	(000000-)	Gasket	2
10	43057	(000000-)	Connector	2
11	54333	(000000-)	Clamp, Worm Drive	2
12	45487-1	(000000-)	Hose, Vinyl	2
13	45488	(000000-)	Fitting, Barbed Tee	1
14	45487-3	(000000-)	Hose, Vinyl	1
15	45486	(000000-)	Fitting, Barbed Elbow	1
16	03073	(000000-)	Hose, Vinyl	1
17	45484	(000000-)	Fitting, Barbed Elbow	2
18	82599	(000000-)	Valve Assembly, Solenoid	1
19	11442-3	(000000-)	Fitting, Nipple	1
20	12770	(000000-)	Valve, Water	1
21	02967	(000000-)	Plug Assembly, Soap Basket	2
22	45487-4	(000000-)	Hose, Vinyl	1
23	56092	(000000-)	Fitting, Tee	1
24	45481	(000000-)	Hanger	2
25	56090	(000000-)	Tube, Spreader	1
26	45528	(000000-)	Tube, Spreader	1
27	01622	(000000-)	Plug, Pipe W/hole	1
28	56119	(000000-)	Fitting, Plug	1
29	47795-1	(000000-)	Strap, Rubber	1
30	33811	(000000-)	Guard, Motor	1
31	43039	(000000-)	Support	
2				
32	12046	(000000-)	Bracket	1
33	12047	(000000-)	Arm, Water Valve	1
34	43242	(000000-)	Swivel	1
35	40678	(000000-)	Clamp, Conduit	1
36	10632-4	(000000-)	Grommet, Rubber	1
37	07442	(000000-)	Wire Harness, Scrubber	1
38	02925	(000000-)	Seal, Foam Rubber	1
39	02970	(000000-)	Seal, Rubber	1
40	62170-4	(000000-)	Molding, Rigid	1
41	46236	(000000-)	Clamp, Cable	2
42	79273-4	(000000-)	Fitting, Barbed Coupling	1

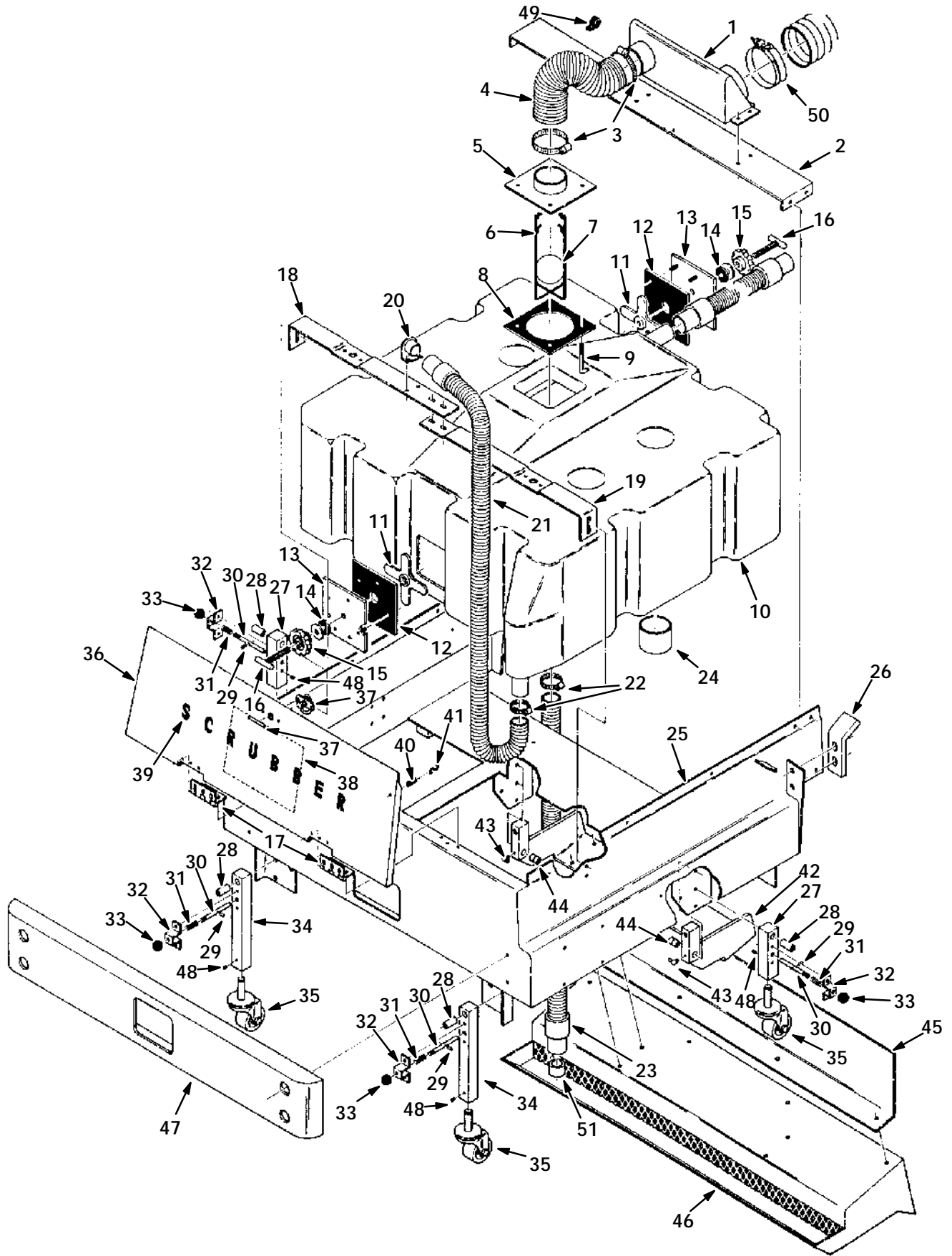


Fig. 20 -- Recovery Tank Group

Fig. 20 -- Recovery Tank Group

NOTE: Scrubber Attachment Kit, Tennant® Part Number 07436, includes Fig. 18, 19, 20, 22, 23, and 26.

Key	TENNANT® Part No.	Machine Serial Number	Description	Qty.
1	03130	(000000-)	Duct, Vacuum	1
2	82959	(000000-)	Brace	1
3	43555	(000000-)	Clamp, Worm Drive	2
4	43490	(000000-)	Hose, Flex	1
5	47475	(000000-)	Collar, Float Cage	1
6	56489	(000000-)	Guide, Float	1
7	43170	(000000-)	Float, Ball	1
8	43552	(000000-)	Gasket	1
9	32685	(000000-)	Bolt, J	4
10	82888	(000000-)	Tank, Recovery	1
11	82939	(000000-)	Cam, Locking	2
12	32683	(000000-)	Seal, Cleanout Door	2
13	12878	(000000-)	Door, Cleanout	2
14	82967	(000000-)	Seal, Washer	2
15	82958	(000000-)	Knob, Cleanout Door	2
16	03043	(000000-)	Handle, Cleanout Door	2
17	47974	(000000-)	Hinge	2
18	03141	(000000-)	Bracket, Mounting, R.H.	1
19	03142	(000000-)	Bracket, Mounting, L.H.	1
20	20215	(000000-)	Plug	1
21	69207	(000000-)	Hose, Drain	1
22	11531	(000000-)	Clamp, Worm Drive	2
23	43207	(000000-)	Hose and Cuff Assembly	1
24	32677	(000000-)	Tube, Tank Locating	2
25	07437	(000000-)	Frame, Scrubber	1
26	82590	(000000-)	Support, L.H.	1
27	43615	(000000-)	Leg, Rear	2
28	43609	(000000-)	Sleeve	4
29	20160	(000000-)	Pin, Roll	4
30	32449	(000000-)	Pin, Threaded	4
31	04428A	(000000-)	Spring, Compression	4
32	43030	(000000-)	Bracket, Pin	4
33	26565	(000000-)	Knob	4
34	43614	(000000-)	Leg, Front	2
35	43616	(000000-)	Stem, Swivel Caster	4
36	82957	(000000-)	Door, Tank	1
37	82964	(000000-)	Latch, Spring Tee	1
38	02962	(000000-)	Label, Scrubber Installation	1
39	46276	(000000-)	Label, Scrubber	1
40	43203	(000000-)	Chain	1
41	43363	(000000-)	Hook, S	1
42	43005	(000000-)	Support, Trough	1
43	11048	(000000-)	Fitting, Grease	2
44	26065	(000000-)	Bushing, Sleeve	2
45	53368	(000000-)	Shield, Spray	1
46	43004	(000000-)	Trough, Pickup	1
47	82891	(000000-)	Channel, Bumper	1
48	39336	(000000-)	Screw, Set	4
49	26395	(000000-)	Clamp, Cable	1
50	02912	(000000-)	Clamp, Hose	1
51	46688	(000000-)	Sleeve	1

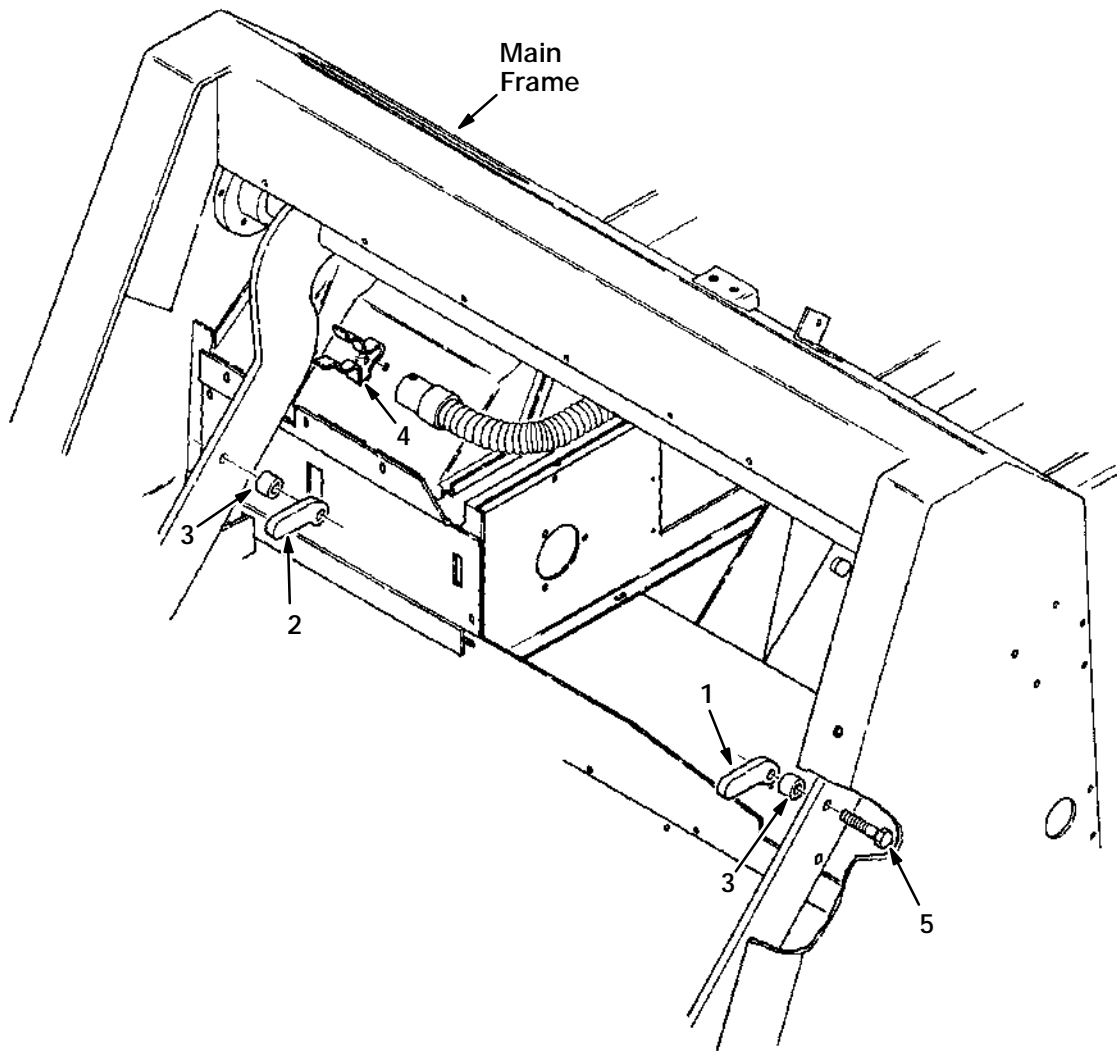


Fig. 21 -- Scrub Attachment Cam Group

02851

NOTE: Squeegees and Control Kit, TENNANT® Part Number 07513, includes Fig. 14, 15, 16, and 21.

Key	TENNANT® Part No.	Machine Serial Number	Description	Qty.
1	03114	(000000-)	Cam, L.H.	1
2	03139	(000000-)	Cam, R.H.	1
3	02997	(000000-)	Spacer, Cam	2
4	67004	(000000-)	Clip, Finger Grip	1
5	03112	(000000-)	Screw, Hex, L.H.	1

NOTE: To identify parts shown but not listed here, see Section 5, Low Dump Model Parts.

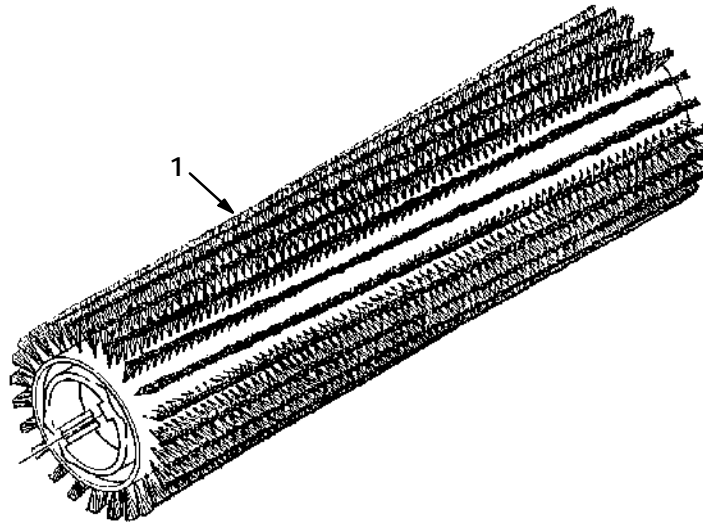


Fig. 22 -- Main Scrubber Brush Group

04479

NOTE: Scrubber Attachment Kit, Tennant® Part Number 07436, includes Fig. 18, 19, 20, 22, 23, and 26.

Key	TENNANT® Part No.	Machine Serial Number	Description	Qty.
1	43592	(000000–)	Brush, Scrub, 24 Row Polypropylene	1

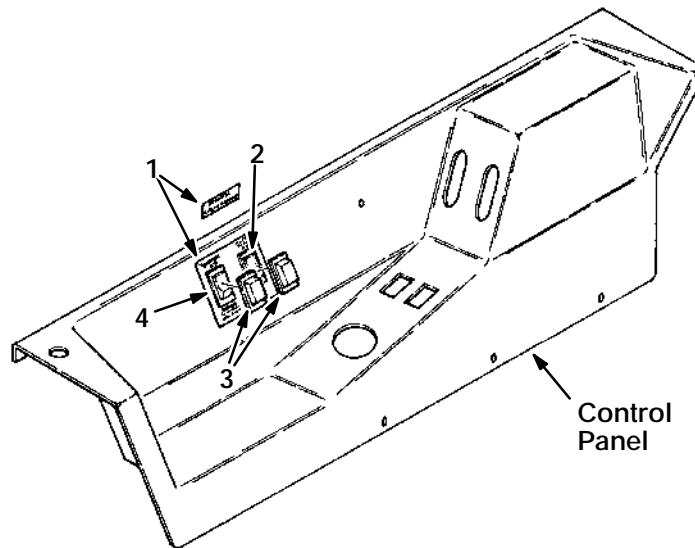


Fig. 23 -- Instrument Panel Group

04475

NOTE: Scrubber Attachment Kit, Tennant® Part Number 07436, includes Fig. 18, 19, 20, 22, 23, and 26.

Key	TENNANT® Part No.	Machine Serial Number	Description	Qty.
1	07566	(000000–)	Label Set, Scrubber Control	1
2	31965	(000000–)	Switch, Rocker, SPST	1
3	57807	(000000–)	Seal, Rocker Switch	2
4	31964	(000000–)	Switch, Rocker, DPDT	1

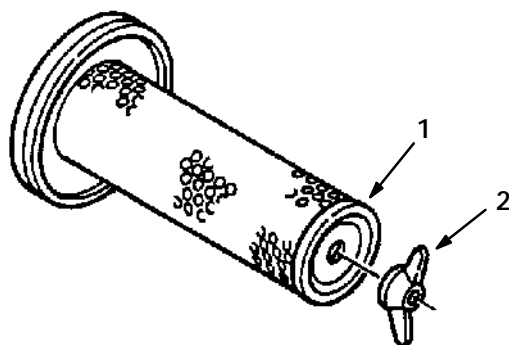


Fig. 24 -- Air Filter Safety Element Kit

04712

Key	TENNANT® Part No.	Machine Serial Number	Description	Qty.
	07565	(000000–)	Element Kit, Air, Safety	1
1	58121	(000000–)	Element, Safety	1
2	07562	(000000–)	Wingnut	1

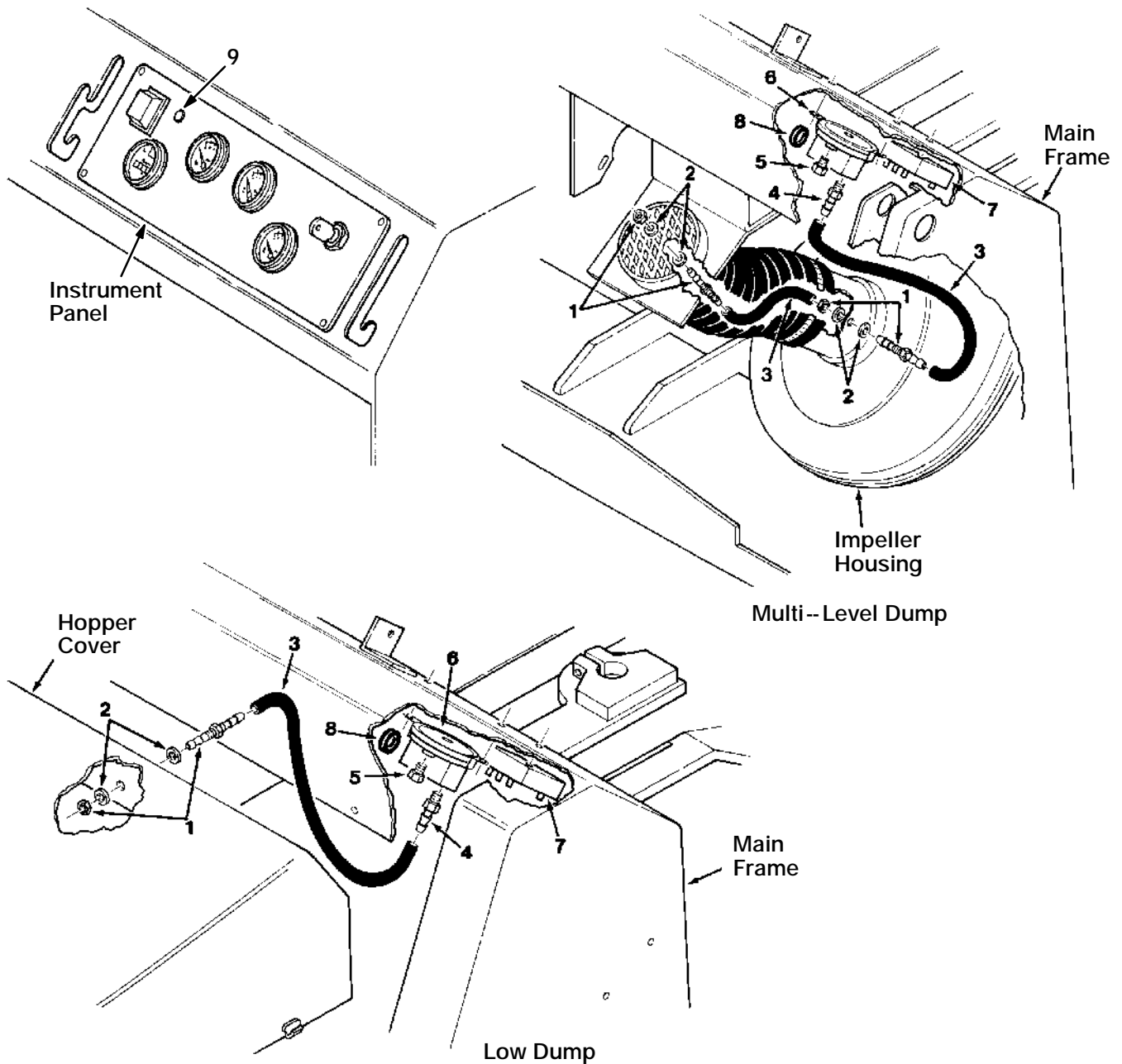


Fig. 25 -- Clogged Filter Indicator Kit

04474

Key	TENNANT® Part No.	Machine Serial Number	Description	Qty.
	11978	(000000-)	Indicator Kit, Clogged Filter	1
1	39923	(000000-)	Fitting, Barbed Bulkhead	2
2	43454	(000000-)	Washer, Nylon	4
3	39780-1	(000000-)	Hose, Rubber	1
4	40607	(000000-)	Fitting, Barbed Straight	1
5	82739	(000000-)	Fitting, Breather	1
6	34868	(000000-)	Switch, Pressure	1
7	34816	(000000-)	Timer, Shaker	1
8	10632-4	(000000-)	Grommet, Rubber	1
9	34820	(000000-)	Lamp, Indicator	1

NOTE: To identify parts shown but not listed here, see Section 5, Low Dump Model Parts.

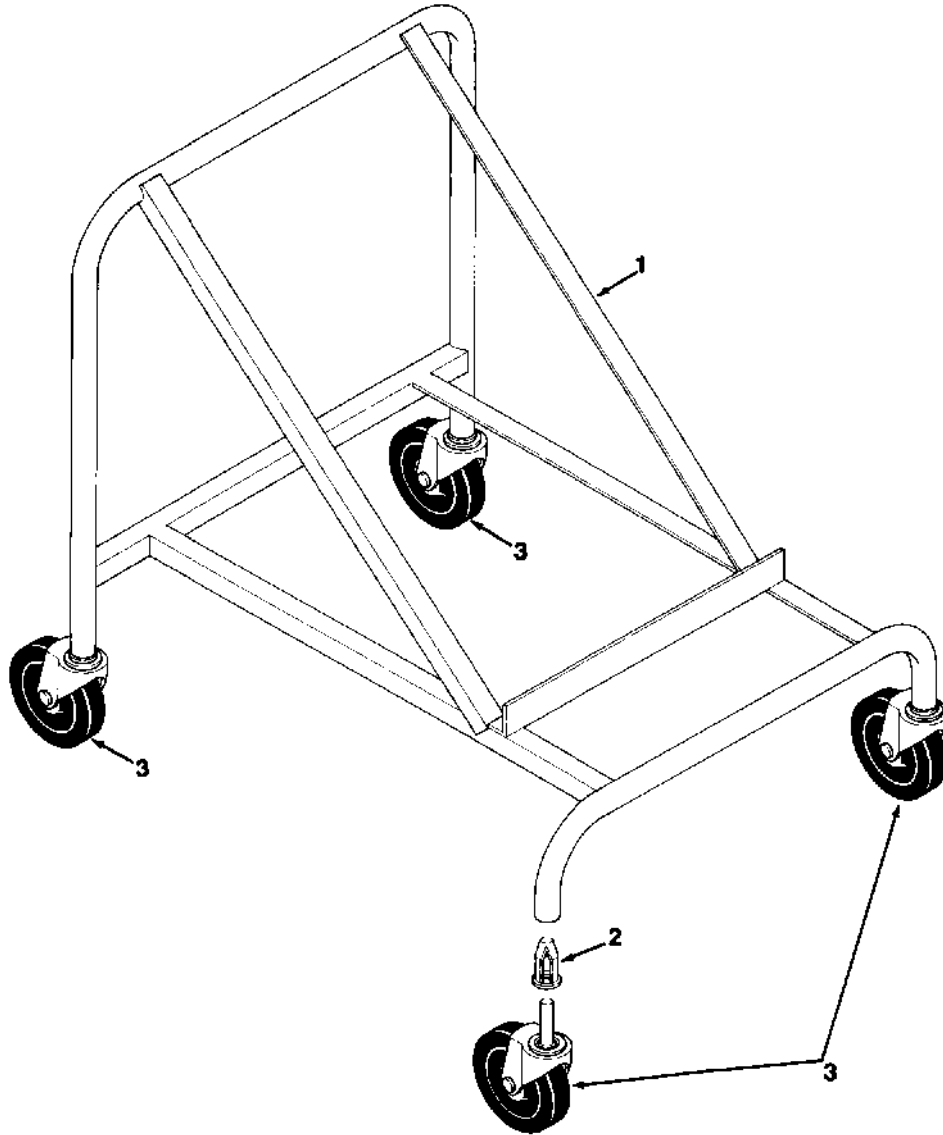


Fig. 26 -- Hopper Dolly Assembly

02594

NOTE: Scrubber Attachment Kit, TENNANT® Part Number 07436, includes Fig. 18, 19, 20, 22, 23, and 26. Snow Broom Kit, TENNANT® Part Number 02629, includes Fig. 3, 4, 5, and 26. Snow Blade Kit, TENNANT® Part Number 37136, includes Fig. 2, 4, 5, and 26.

Key	TENNANT® Part No.	Machine Serial Number	Description	Qty.
	24147	(000000-)	Dolly Assembly, Hopper	1
1	24145	(000000-)	Dolly, Hopper	1
2	24149	(000000-)	Socket, Caster	4
3	24259A	(000000-)	Caster	4

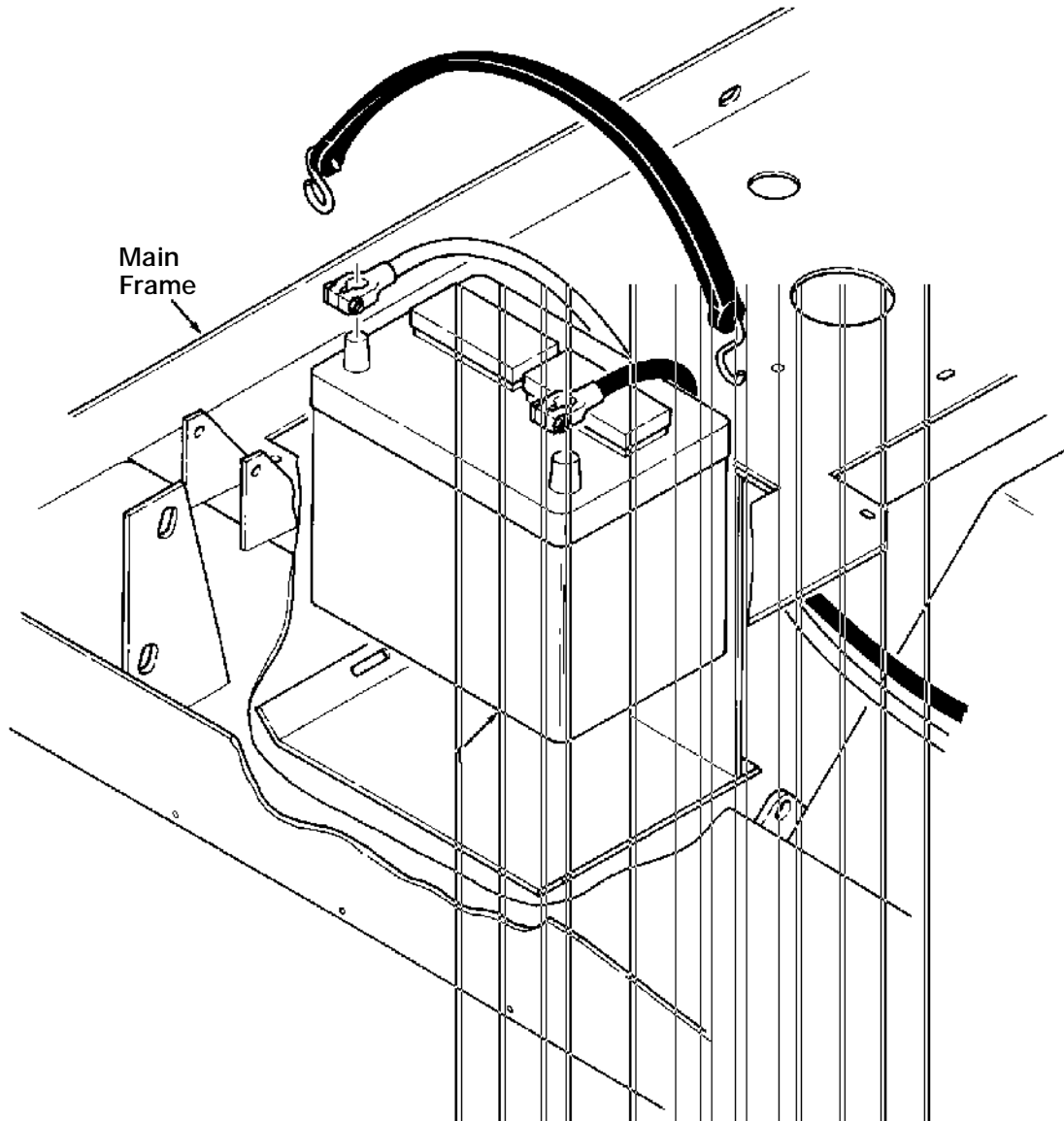


Fig. 27 -- Dry Battery Kit

02797

Key	TENNANT® Part No.	Machine Serial Number	Description	Qty.
1	10144	(000000-)	Battery, Dry, 540 CCA	1

NOTE: To identify parts shown but not listed here, see Section 5, Low Dump Model Parts.

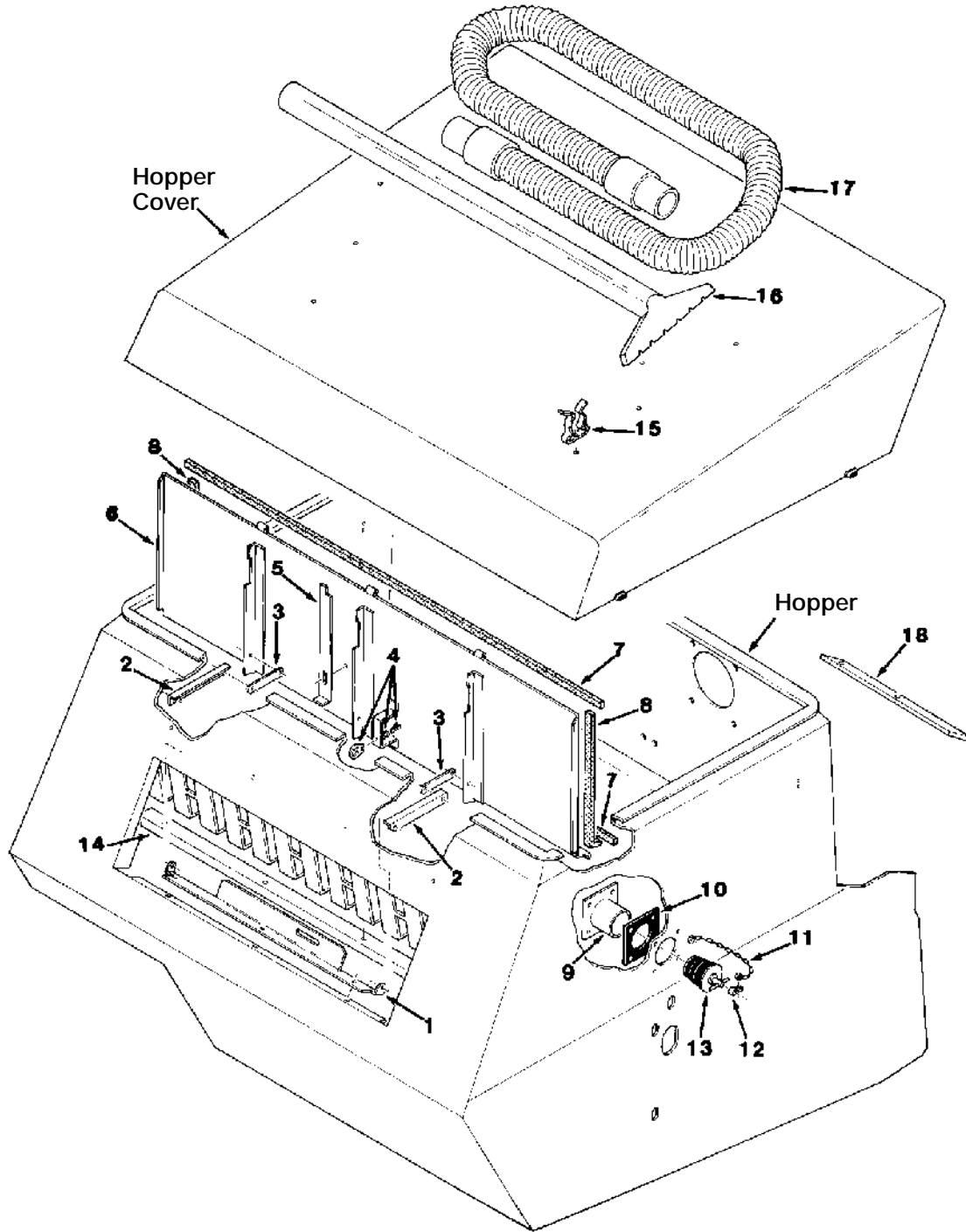


Fig. 28 -- Vacuum Wand Kit, Low Dump

NOTE: To identify parts shown but not listed here, see Section 5, Low Dump Model Parts.

Fig. 28 -- Vacuum Wand Kit, Low Dump

Key	TENNANT® Part No.	Machine Serial Number	Description	Qty.
	82978	(000000-)	Wand Kit, Vacuum	1
1	82375	(000000-)	Bracket, Stop	1
2	82376	(000000-)	Angle, Door	2
3	82439	(000000-)	Bar, Door	2
4	82315	(000000-)	Latch, Quarter Turn	1
5	82437	(000000-)	Bar, Retaining	1
6	82414	(000000-)	Door, Vacuum Wand	1
7	82297	(000000-)	Seal, Door	2
8	82296	(000000-)	Seal, Door	2
9	82458	(000000-)	Adaptor, Hose	1
10	82459	(000000-)	Seal, Adaptor	1
11	44166	(000000-)	Chain	1
12	26395-2	(000000-)	Clamp, Cable	1
13	42124	(000000-)	Plug, Drain	1
14	82419	(000000-)	Angle, Baffle	1
15	67004	(000000-)	Clip, Finger Grip	7
16	54012	(000000-)	Wand	1
17	54009	(000000-)	Hose and Cuff Assembly	1
18	82576	(000000-)	Counterweight	7

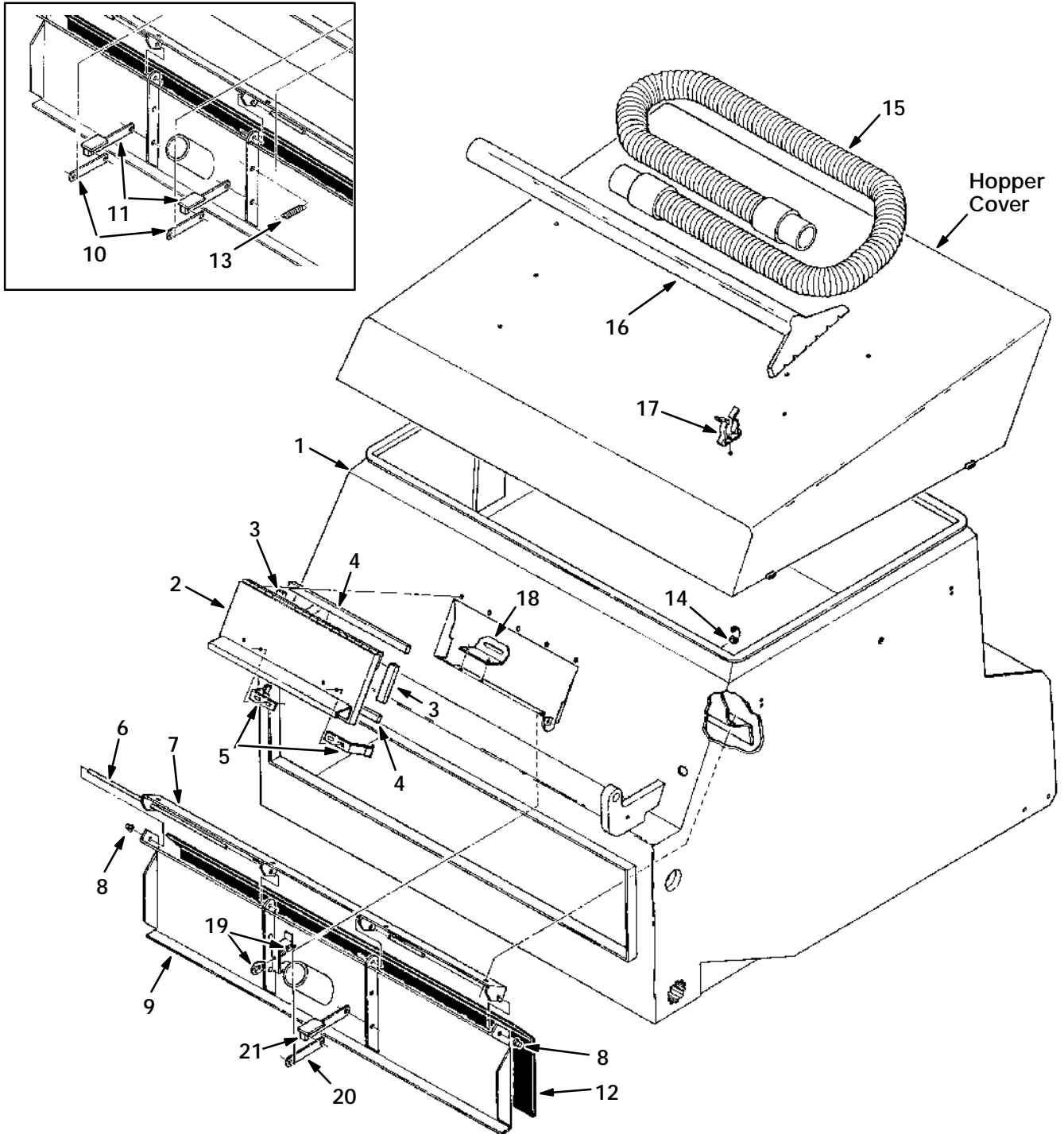


Fig. 29 -- Vacuum Wand Group, Multi--level Dump

NOTE: To identify parts shown but not listed here, see Section 5, Low Dump Model Parts.

Fig. 29 -- Vacuum Wand Group, Multi--level Dump

Key	TENNANT® Part No.	Machine Serial Number	Description	Qty.
1	02674	(000000--)	Hopper, Vacuum Wand	1
2	50590	(000000--)	Door, Access	1
3	75423	(000000--)	Seal, Foam Rubber	2
4	50525	(000000--)	Seal, Foam Rubber	2
5	53697	(000000--)	Catch, Spring	2
6	82283	(000000--)	Pin, Hinge	1
7	82280	(000000--)	Mount, Hinge	1
8	82284	(000000--)	Fastener, Cap	2
9	82275	(000000--)	Door, Vacuum Wand	1
10	82288	(000000--010024)	Link, Outer	2
11	82270	(000000--010024)	Link	2
12	82292	(000000--)	Seal, Door	1
13	13352	(000000--010024)	Spring	1
14	47591	(000000--)	Strain Relief	1
15	54009	(000000--)	Hose and Cuff Assembly	1
16	54012	(000000--)	Wand	1
17	67004	(000000--)	Clip, Finger Grip	7
18	07871	(010025--)	Bracket, Stop	1
19	82315	(010025--)	Latch, Quarter Turn	1
20	82288	(010025--)	Link, Outer	1
21	82270	(010025--)	Link	1

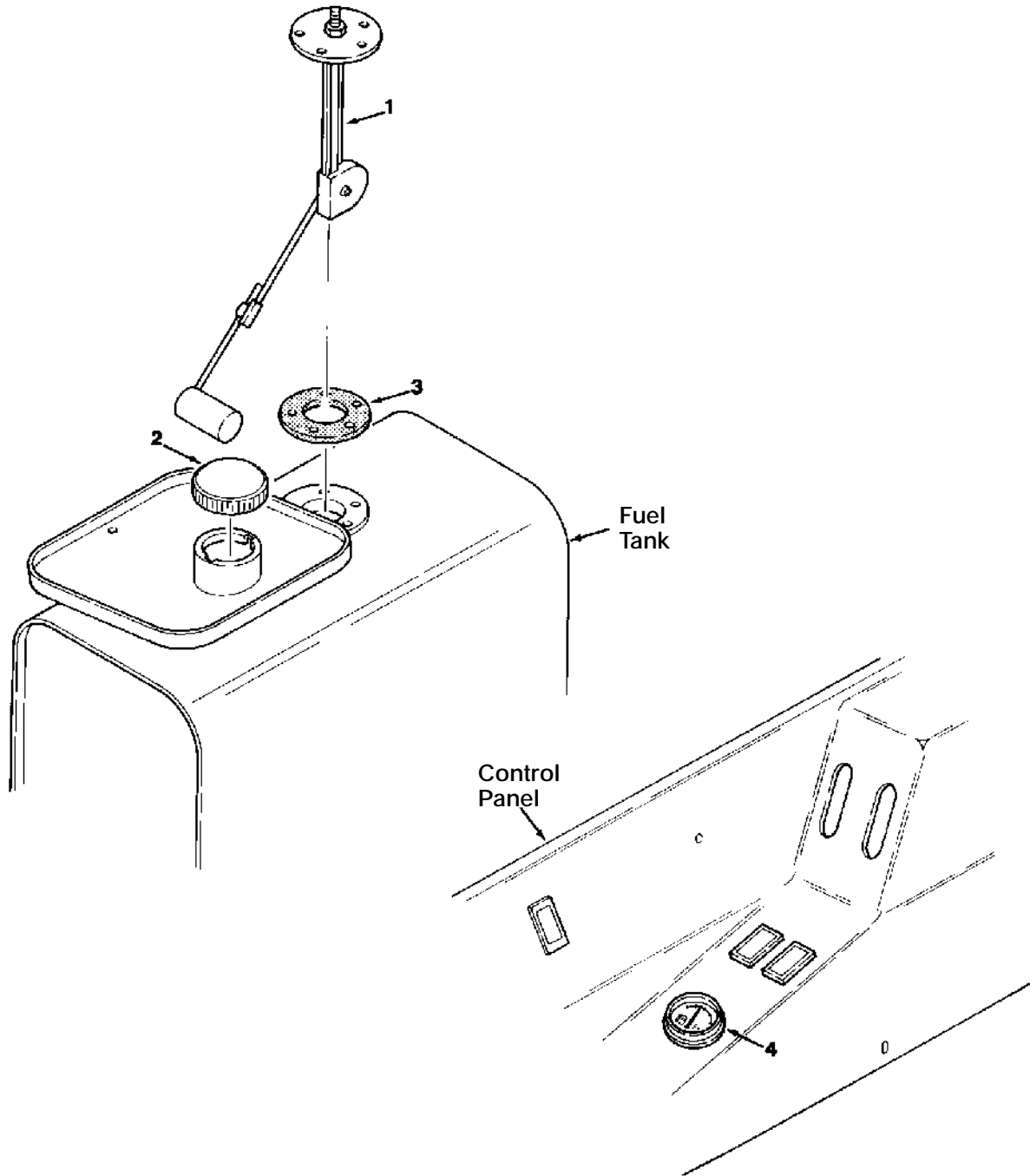


Fig. 30 -- Fuel Gauge Kit

02592

Key	TENNANT® Part No.	Machine Serial Number	Description	Qty.
	82994	(000000-)	Gauge Kit, Fuel	1
1	07874	(000000-)	Sending Unit, Tank	1
2	48267	(000000-)	Cap, Tank	1
3	14131	(000000-)	Gasket	1
4	34813	(000000-)	Gauge, Fuel	1

NOTE: To identify parts shown but not listed here, see Section 5, Low Dump Model Parts.

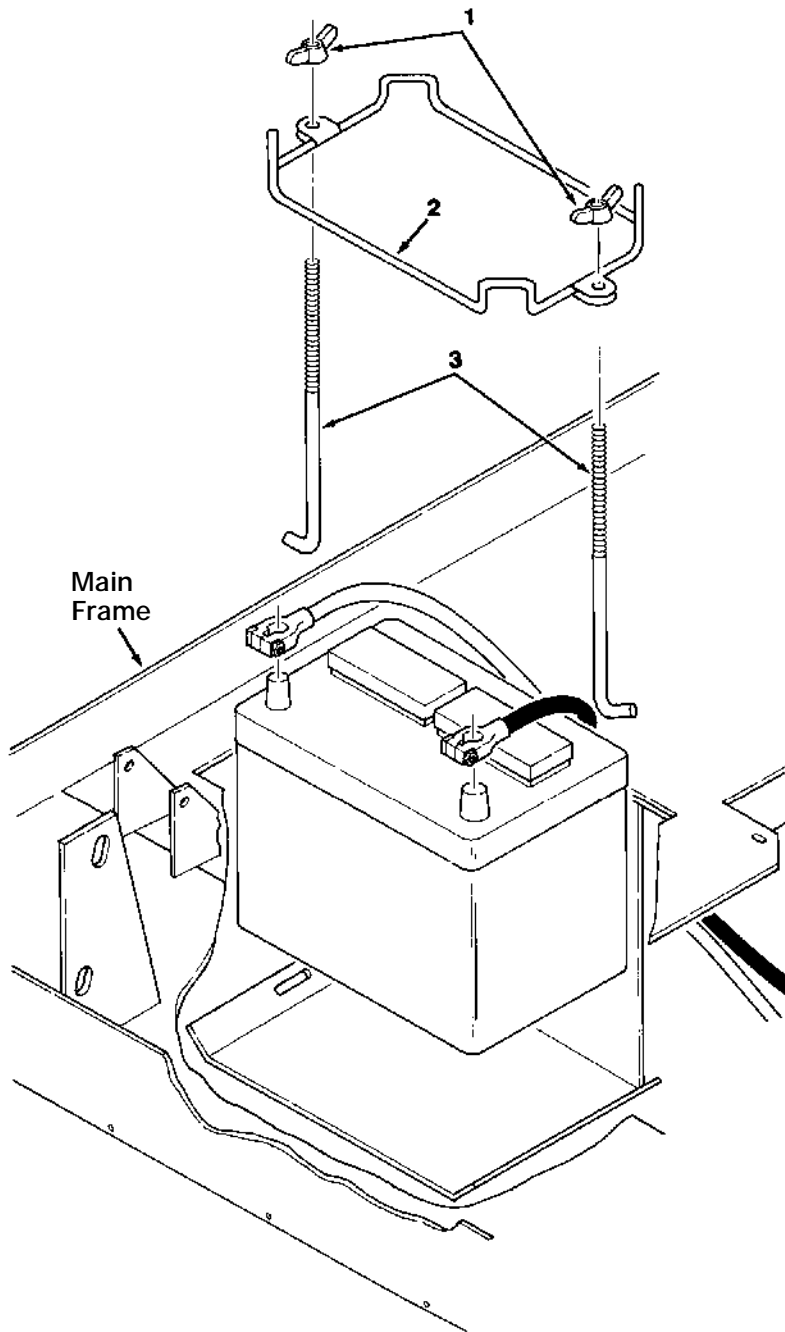


Fig. 31 -- Battery Hold Down Kit

02593

Key	TENNANT® Part No.	Machine Serial Number	Description	Qty.
	82922	(000000-)	Hold Down Kit, Battery	1
1	39272	(000000-)	Nut, Wing	2
2	13016	(000000-)	Bracket, Hold Down	1
3	13015	(000000-)	Bolt, Hold Down	2

NOTE: To identify parts shown but not listed here, see Section 5, Low Dump Model Parts.

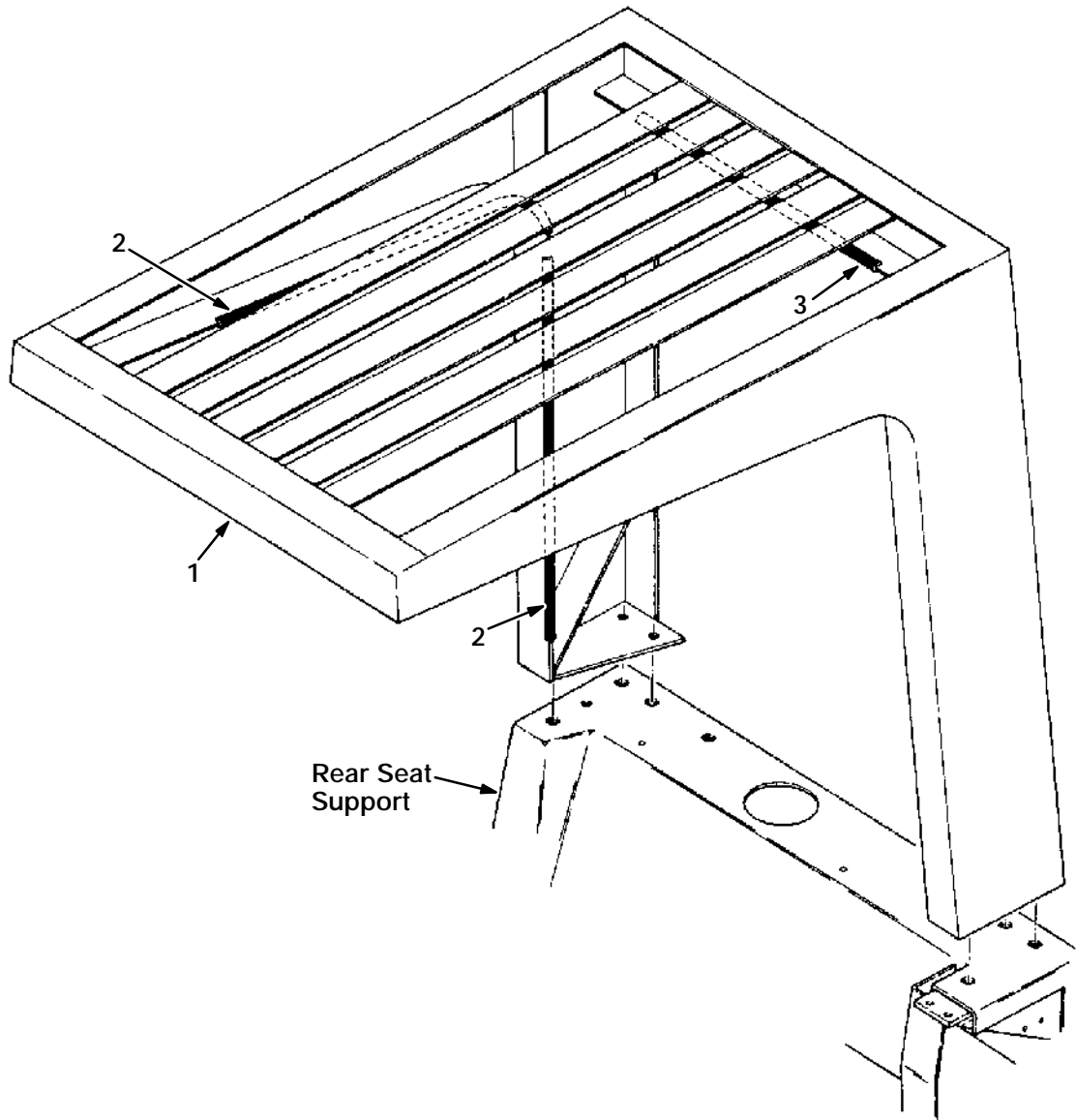


Fig. 32 -- Overhead Guard Kit

04468

Key	TENNANT® Part No.	Machine Serial Number	Description	Qty.
	82998	(020001-)	Guard Kit, Overhead	1
1	55150	(020001-)	Guard, Overhead	1
2	62595-11	(020001-)	Molding, Rigid	2
3	62595-2	(020001-)	Molding, Rigid	1

NOTE: To identify parts shown but not listed here, see Section 5, Low Dump Model Parts.

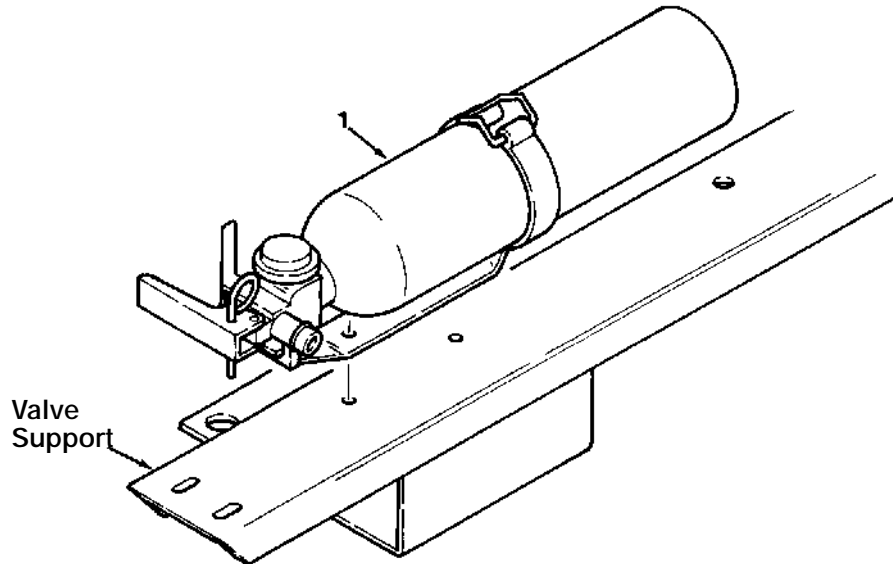


Fig. 33 -- Fire Extinguisher Kit

02597

Key	TENNANT® Part No.	Machine Serial Number	Description	Qty.
1	46938	(000000–)	Extinguisher Kit, Fire	1
	25312	(000000–)	Extinguisher, Fire	1

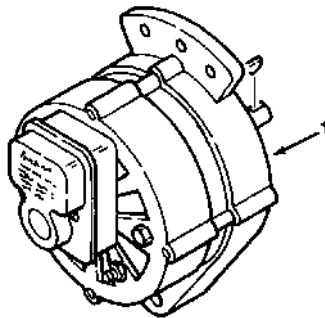


Fig. 34 -- Alternator Kit

02798

Key	TENNANT® Part No.	Machine Serial Number	Description	Qty.
1	07211	(000000–)	Alternator, Sealed 51A	1

NOTE: To identify parts shown but not listed here, see Section 5, Low Dump Model Parts.

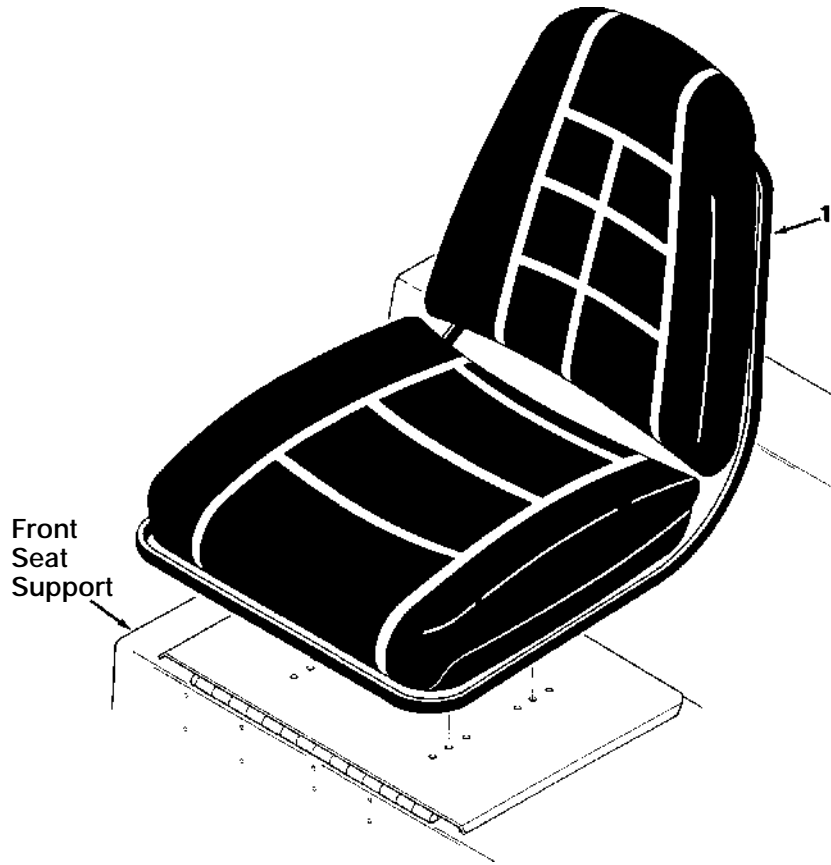


Fig. 35 -- Suspension Seat Kit

02595

Key	TENNANT® Part No.	Machine Serial Number	Description	Qty.
1	82992	(000000-)	Seat Kit, Suspension	1
	82343	(000000-)	Seat, Suspension	1

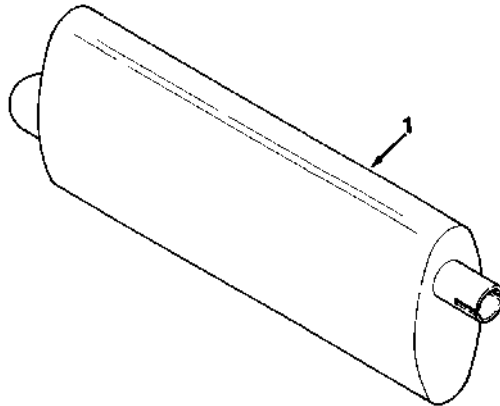


Fig. 36 -- Spark Arresting Muffler Kit

02589

Key	TENNANT® Part No.	Machine Serial Number	Description	Qty.
1	82652	(000000-)	Muffler, Spark Arresting	1

NOTE: To identify parts shown but not listed here, see Section 5, Low Dump Model Parts.

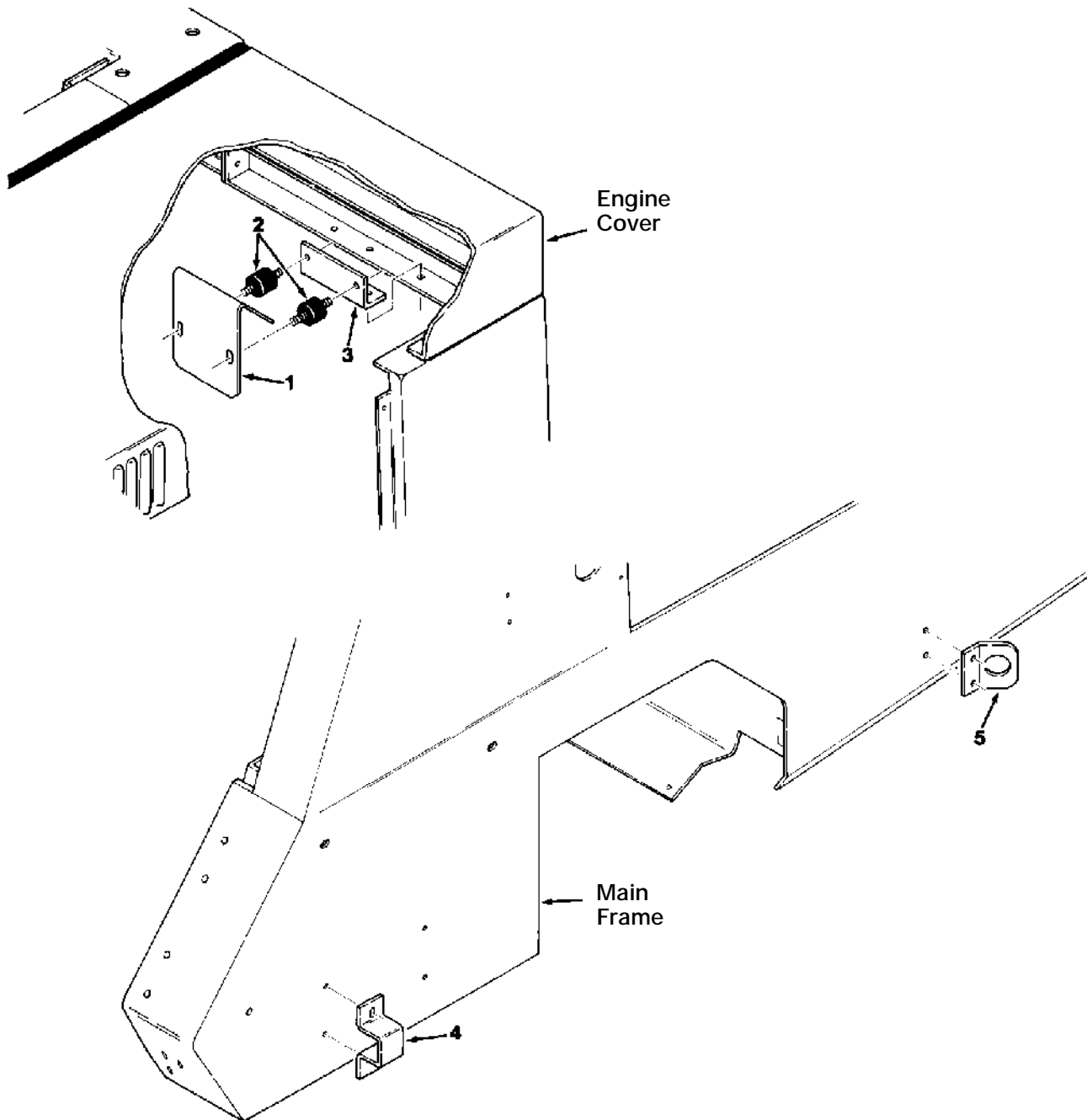


Fig. 37 -- Hood Latch and Machine Tie--Down Kit

02813

Key	TENNANT® Part No.	Machine Serial Number	Description	Qty.
	82382	(000000-)	Tie-Down Kit, Hood Latch and Machine	1
1	82380	(000000-)	Latch, Engine Cover	1
2	82661	(000000-)	Isolator, Vibration	2
3	82381	(000000-)	Angle, Support	1
4	82195	(000000-)	Bracket, Front Tie-Down	2
5	82196	(000000-)	Bracket, Rear Tie-Down	2

NOTE: To identify parts shown but not listed here, see Section 5, Low Dump Model Parts.

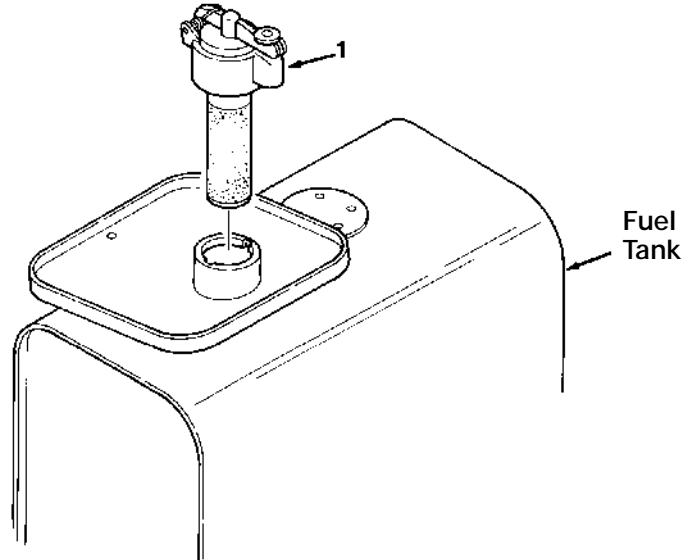


Fig. 38 -- Protectoseal Fuel Tank Cap Kit

02550

Key	TENNANT® Part No.	Machine Serial Number	Description	Qty.
1	02506-6	(000000-)	Cap, Protectoseal	1

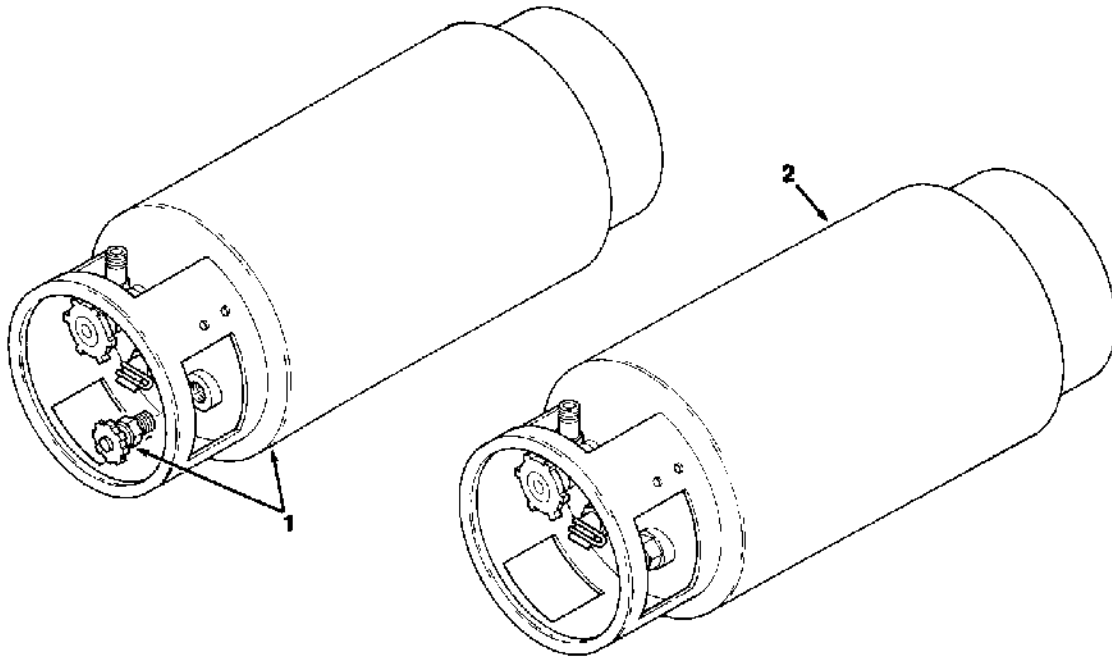


Fig. 39 -- Fuel Tanks Group, LPG

02574

Key	TENNANT® Part No.	Machine Serial Number	Description	Qty.
1	24928-1	(000000-)	Tank, LPG, With Filler Valve	1
2	24928	(000000-)	Tank, LPG	1

NOTE: To identify parts shown but not listed here, see Section 5, Low Dump Model Parts.

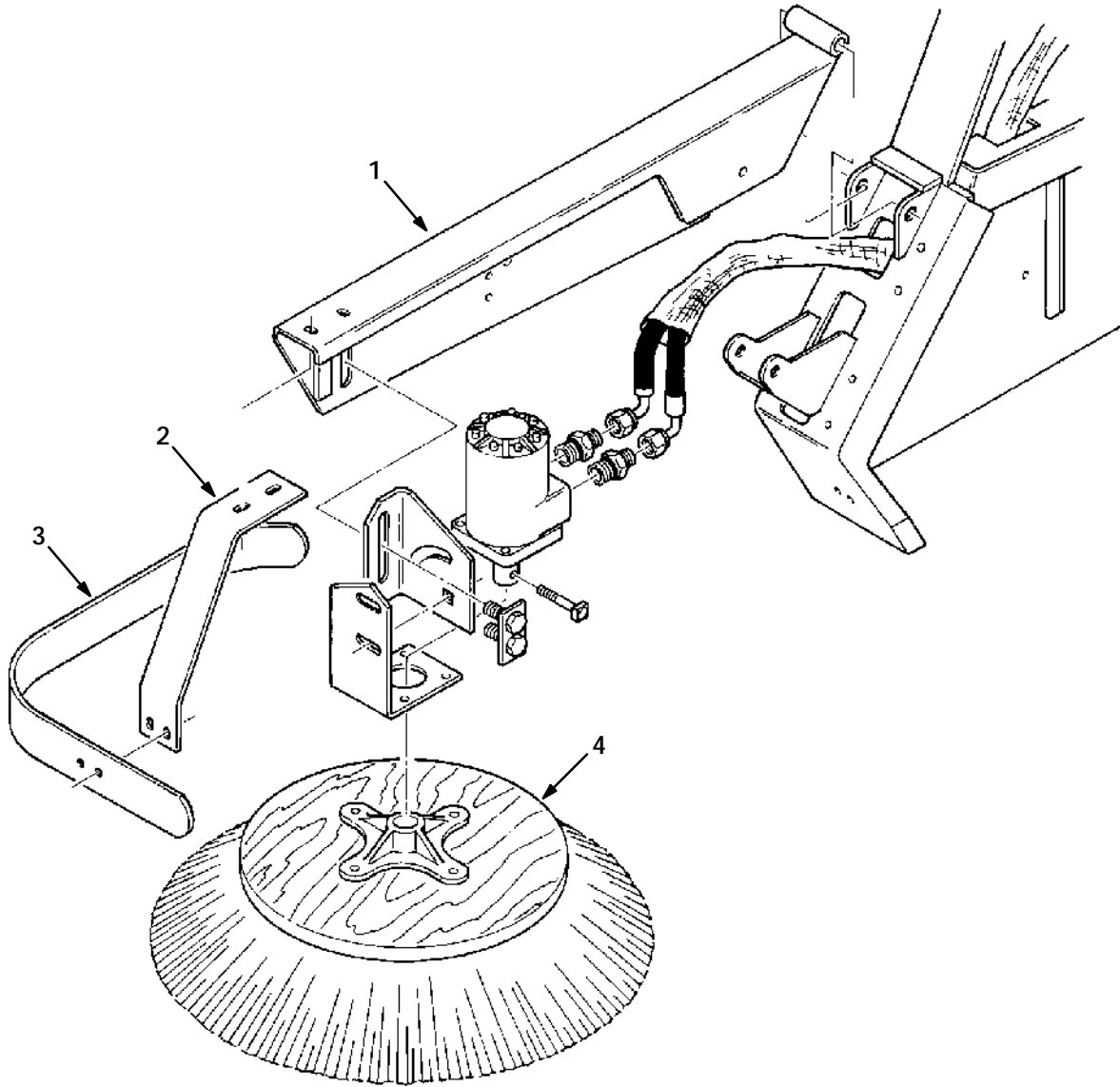


Fig. 40 -- Extra Reach Side Brush Group, Low Dump

04090

Key	TENNANT Part No.	Machine Serial Number	Description	Qty.
1	48062-1	(000000-)	Arm, Side Brush	1
2	08015	(000000-)	Support, Bumper Side Brush	1
3	08016	(000000-)	Bumper, Side Brush	1
4	08017	(000000-)	Side Brush Assembly	1

NOTE: To identify parts shown but not listed here, see SECTION 5, LOW DUMP MODEL PARTS.

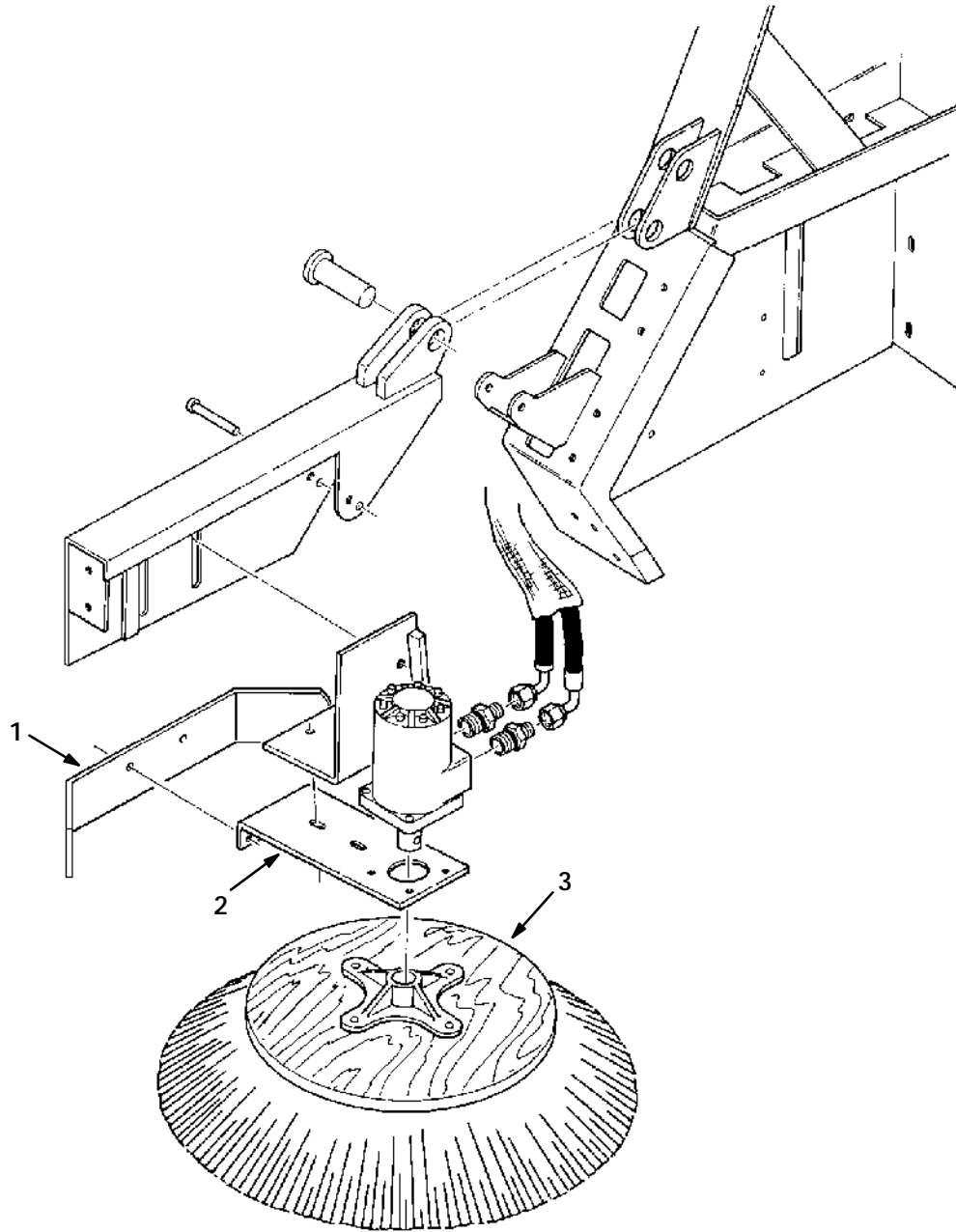


Fig. 41 -- Extra Reach Side Brush Group, Multi--Level Dump

04054

Key	TENNANT Part No.	Machine Serial Number	Description	Qty.
1	08007	(000000--)	Bumper, Side Brush	1
2	08008	(000000--)	Bracket, Side Brush Motor	1
3	08017	(000000--)	Side Brush Assembly	1

NOTE: To identify parts shown but not listed here, see SECTION 5, LOW DUMP MODEL PARTS.

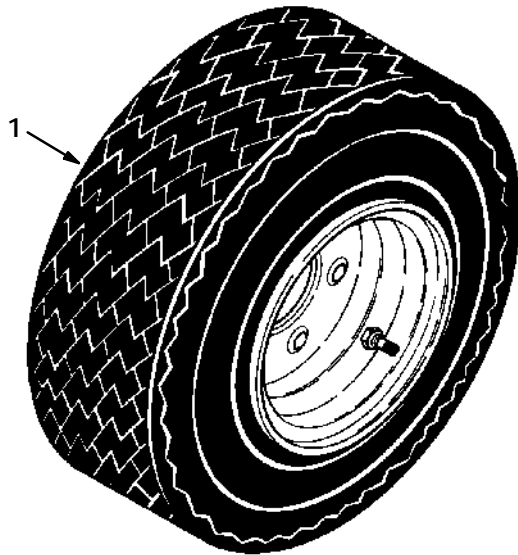


Fig. 42 -- Rear Wheel Assembly, Foam filled

02586

Key	TENNANT Part No.	Machine Serial Number	Description	Qty.
1	82924	(000000-)	Tire and Wheel Assembly, Foam Filled	1

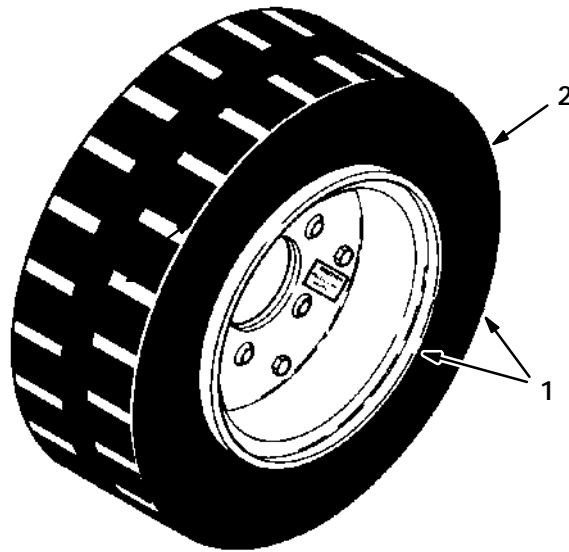


Fig. 43 -- Rear Wheel Assembly, Solid

02587

Key	TENNANT Part No.	Machine Serial Number	Description	Qty.
1	53817	(000000-)	Tire and Wheel Assembly, Solid	1
2	53816	(000000-)	Tire, Solid	1
3	24507	(000000-)	Decal, Caution, This Side Out	1

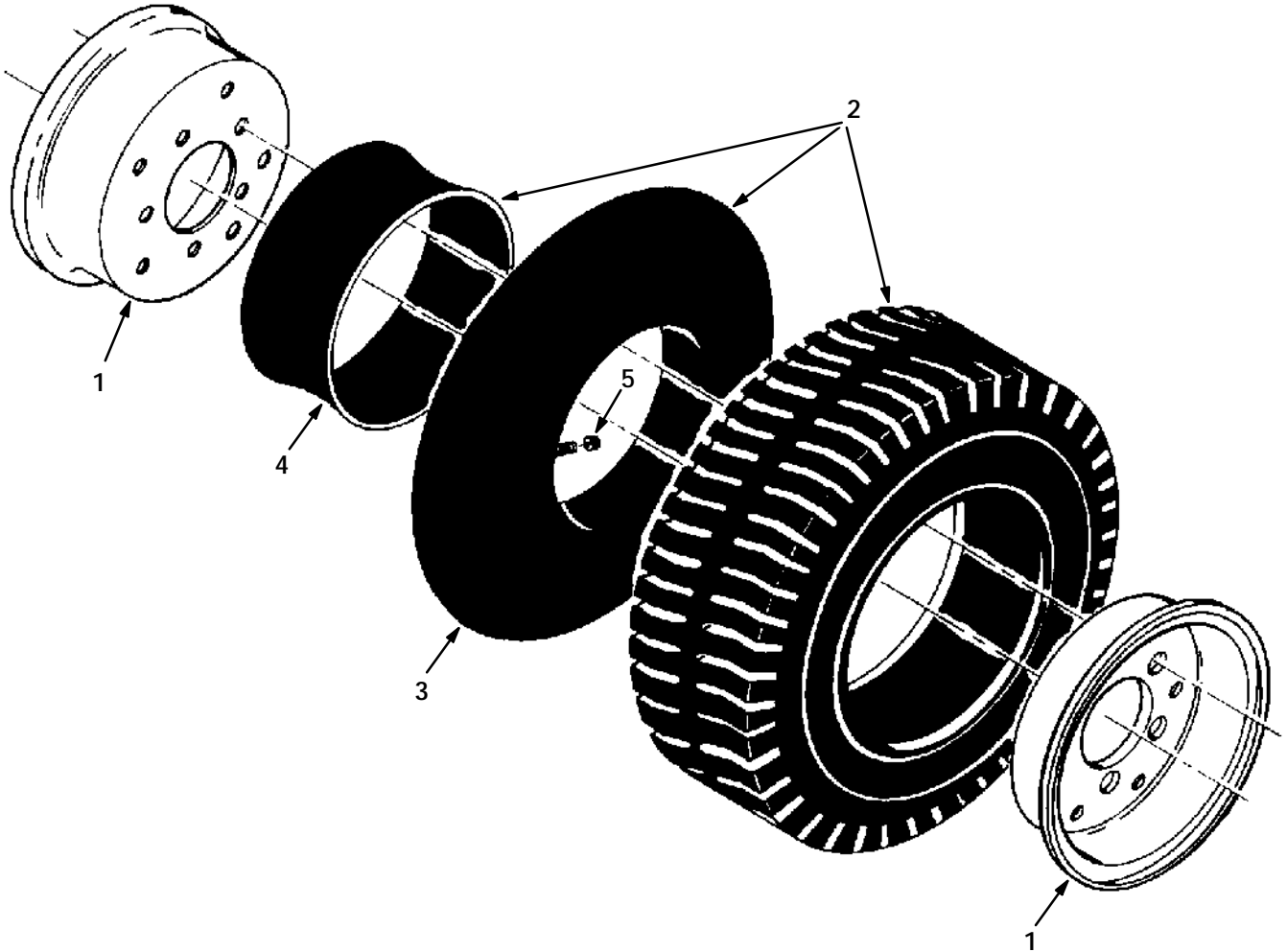


Fig. 44 -- Rear Wheel Assembly, Steelguard

02588

Key	TENNANT Part No.	Machine Serial Number	Description	Qty.
1	53640	(000000-)	Tire and Wheel Assembly, Steelguard	1
2	53818	(000000-)	Rim Assembly	1
3	53819	(000000-)	Tire, Tube and Flap Assembly	1
4	53819-1	(000000-)	Tube, Inner	1
4	53819-2	(000000-)	Flap, Tube	1
5	45786	(000000-)	Cap, Valve Stem	1

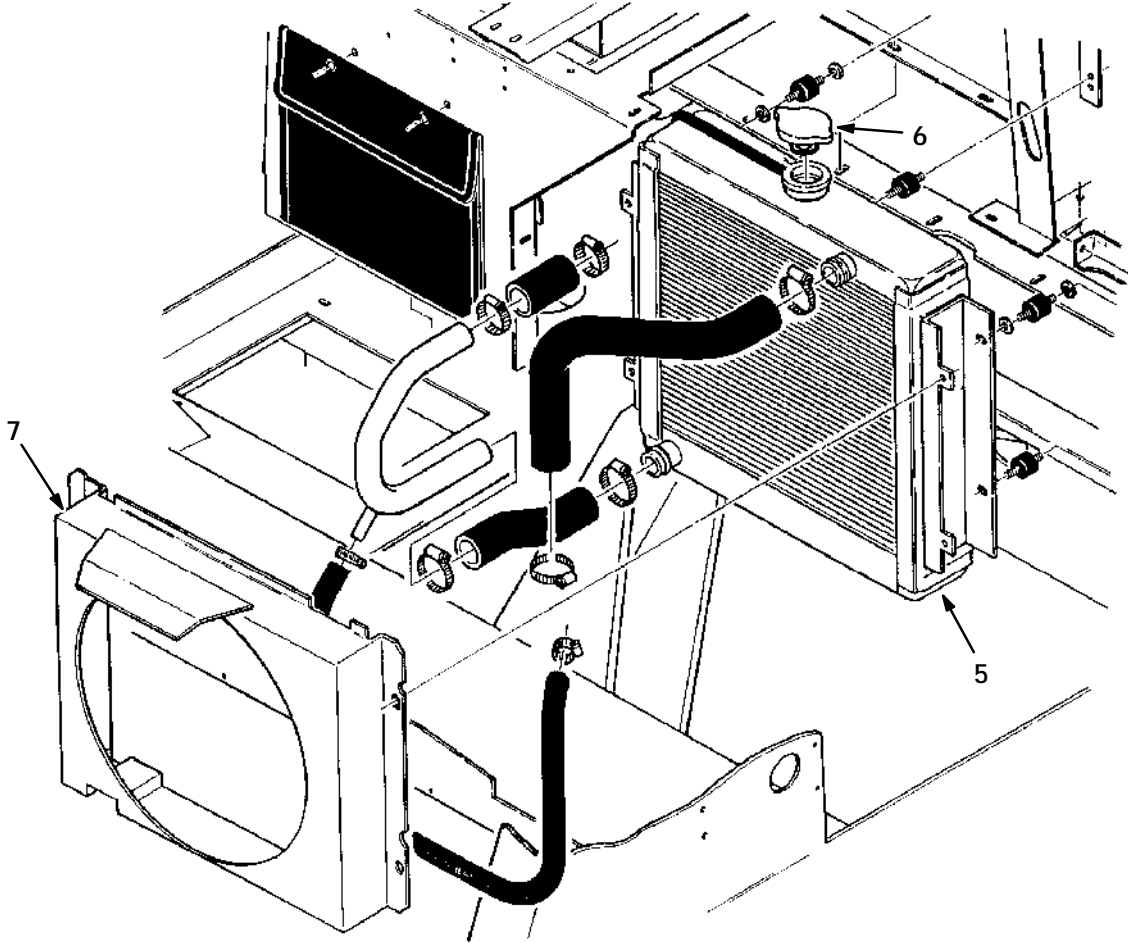


Fig. 45 -- Heavy Duty Radiator Group

05606

Key	TENNANT Part No.	Machine Serial Number	Description	Qty.
	31158	(000000-)	Heavy Duty Radiator Kit	1
1	03251	(000000-)	Radiator, Heavy Duty	1
2	82688	(000000-)	Cap, Radiator	1
3	07676	(000000-)	Shroud, Fan	1

NOTE: To identify parts shown but not listed here, see SECTION 5, LOW DUMP MODEL PARTS.

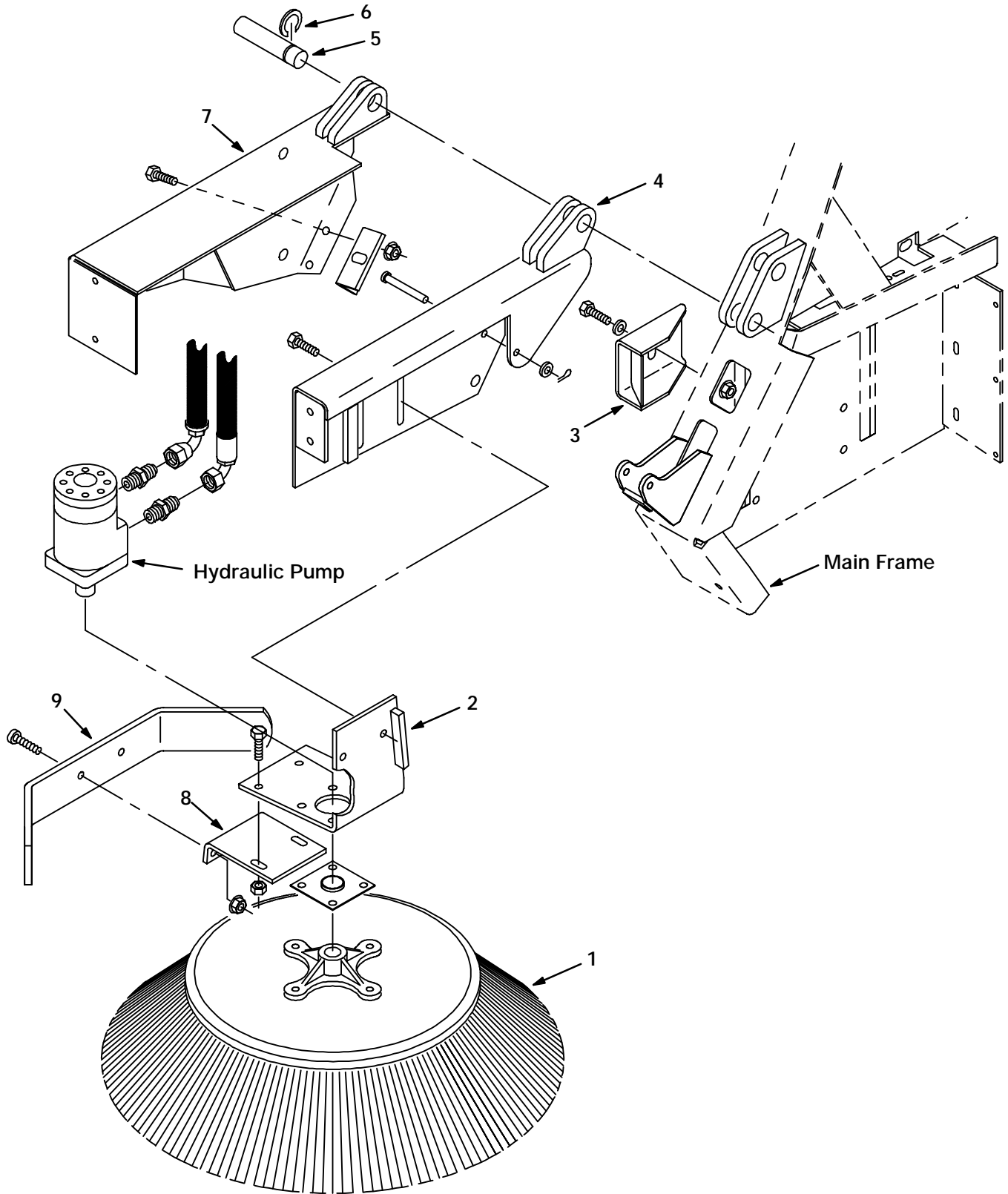


Fig. 46 -- Maximum Path Side Brush Group

Fig. 46 -- Maximum Path Side Brush Group

Key	TENNANT Part No.	Machine Serial Number	Description	Qty.
1	08017	(000000-)	Brush Assembly	1
2	30522	(000000-)	Bracket, Gutter Sweep	1
3	30534	(000000-)	Bumper, End	1
4	30523	(000000-)	Arm, Side Brush	1
5	36993	(000000-)	Pin	1
6	23788	(000000-)	Ring	1
7	30526	(000000-)	Bumper	1
8	30518	(000000-)	Bracket, Bumper	1
9	08007	(000000-)	Bumper	1

NOTE: To identify parts shown but not listed here, see SECTION 5, LOW DUMP MODEL PARTS.

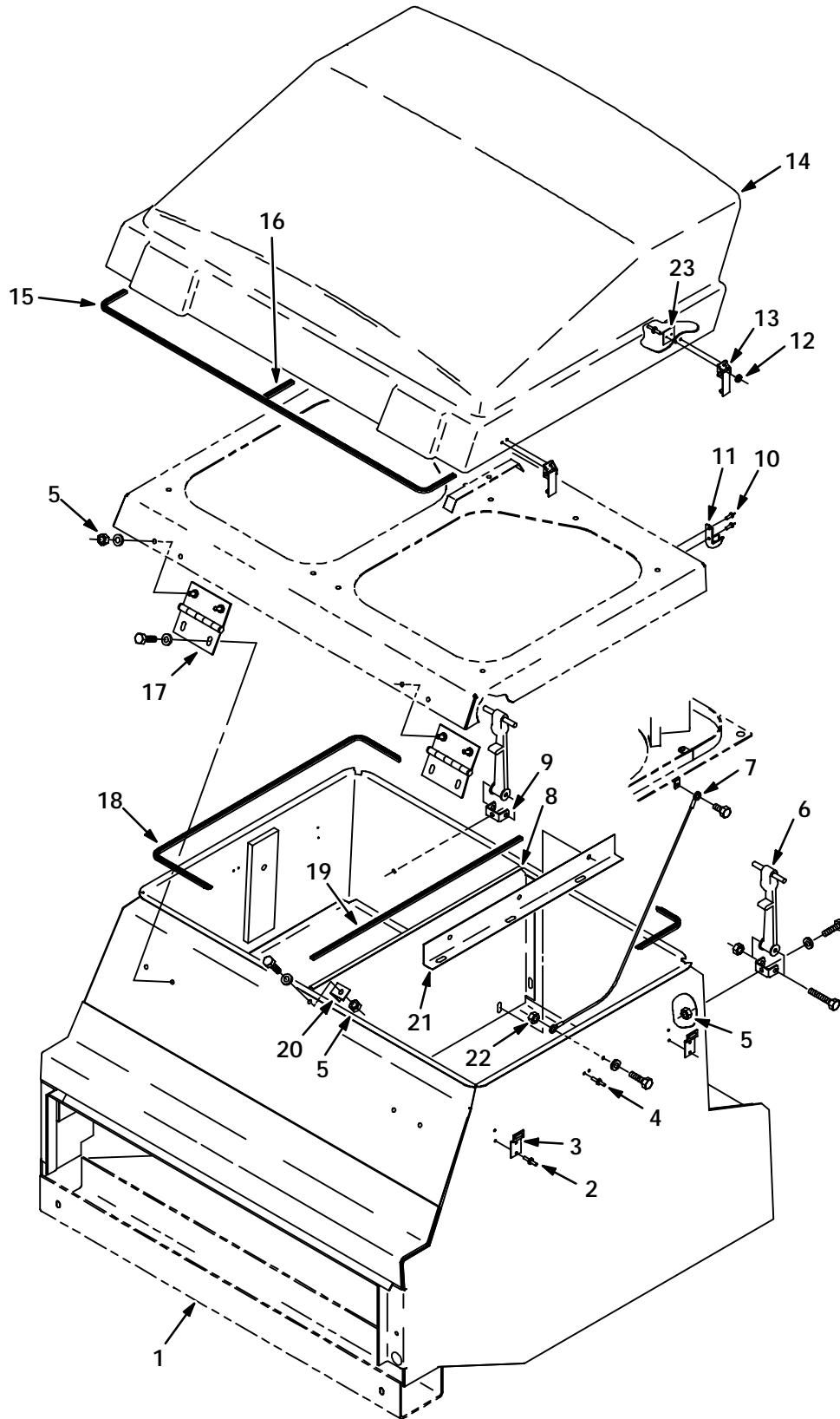


Fig. 47 -- Hopper and Cover Group, RFS

Fig. 47 -- Hopper and Cover Group, RFS

Key	TENNANT Part No.	Machine Serial Number	Description	Qty.
1	32148	(000000-)	Hopper	1
2	34738	(000000-)	Rivet, Pop	8
3	87056	(000000-)	Strike, Hopper Cover	4
4	02731	(000000-)	Rivet, Plastic	4
5	32983	(000000-)	Nut, Hex	22
6	75118	(000000-)	Hook, Rubber	2
7	87298	(000000-)	Cable, Brush Lift	1
8	32045	(000000-)	Plate, Divider	1
9	40671	(000000-)	Bracket, U	2
10	41732	(000000-)	Rivet, Pop	4
11	40670	(000000-)	Catch, Rubber	2
12	82457	(000000-)	Rivet, Pop	8
13	87579	(000000-)	Latch, Tension	4
14	32107	(000000-)	Cover Assembly	1
15	32262	(000000-)	Seal	1
16	32263	(000000-)	Seal	1
17	32135	(000000-)	Hinge	2
18	32260	(000000-)	Seal	1
19	32261	(000000-)	Seal	1
20	32137	(000000-)	Bracket	1
21	32138	(000000-)	Bracket	1
22	32981	(000000-)	Nut, Hex	1
23	32269	(000000-)	Plate, Reinforcing	4

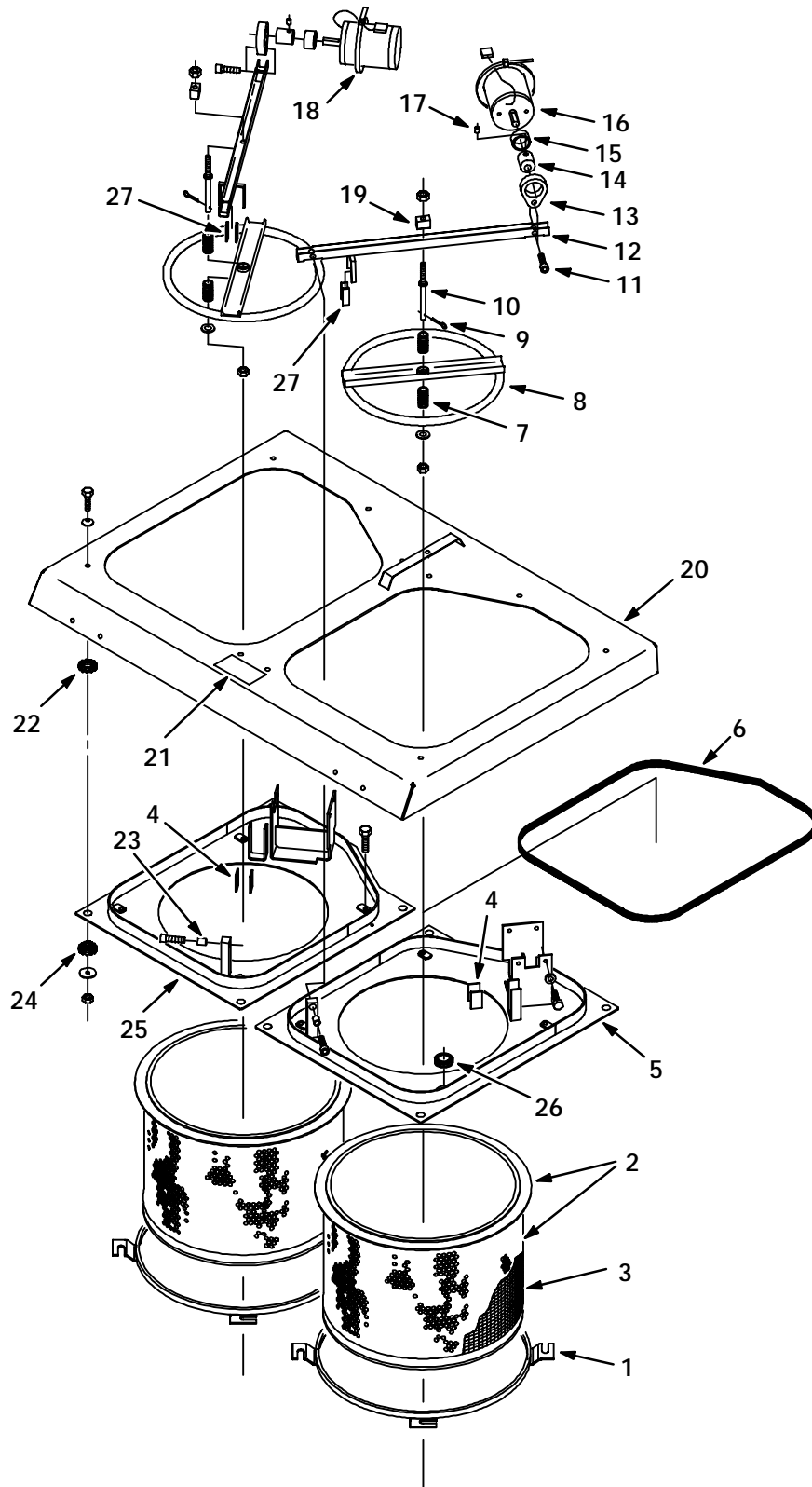


Fig. 48 -- Filter and Shaker Group, RFS

Fig. 48 -- Filter and Shaker Group, RFS

Key	TENNANT Part No.	Machine Serial Number	Description	Qty.
1	32003	(000000-)	Ring, Support	2
2	31996	(000000-)	Filter	2
3	32082	(000000-)	Screen	2
4	32288	(000000-)	Strip, Nylon	4
5	32015	(000000-)	Plate, Shaker	1
6	32266	(000000-)	Seal	2
7	32145	(000000-)	Spring	4
8	32007	(000000-)	Ring, Shaker	2
9	08182	(000000-)	Pin, Cotter	2
10	32009	(000000-)	Bar, Shaker Stem	2
11	32086	(000000-)	Screw, Shoulder	2
12	31998	(000000-)	Channel	2
13	32005	(000000-)	Link, Motor	2
14	32004	(000000-)	Coupling, Eccentric	2
15	32006	(000000-)	Bearing	2
16	31999	(000000-)	Motor, Electric	2
17	46820	(000000-)	Screw, Set	2
18	44961	(000000-)	Tie, Cable	2
19	32008	(000000-)	Spacer, Nylon	2
20	32273	(000000-)	Plate, Filter	1
21	32228	(000000-)	Label, Hazard, Heavy Panel	1
22	62172	(000000-)	Ring	8
23	32146	(000000-)	Bearing, Sleeve	2
24	62173	(000000-)	Bushing, Rubber Isolator	8
25	32010	(000000-)	Plate, Shaker	1
26	10632	(000000-)	Grommet, Rubber	2
27	32287	(000000-)	Strip, Nylon	4

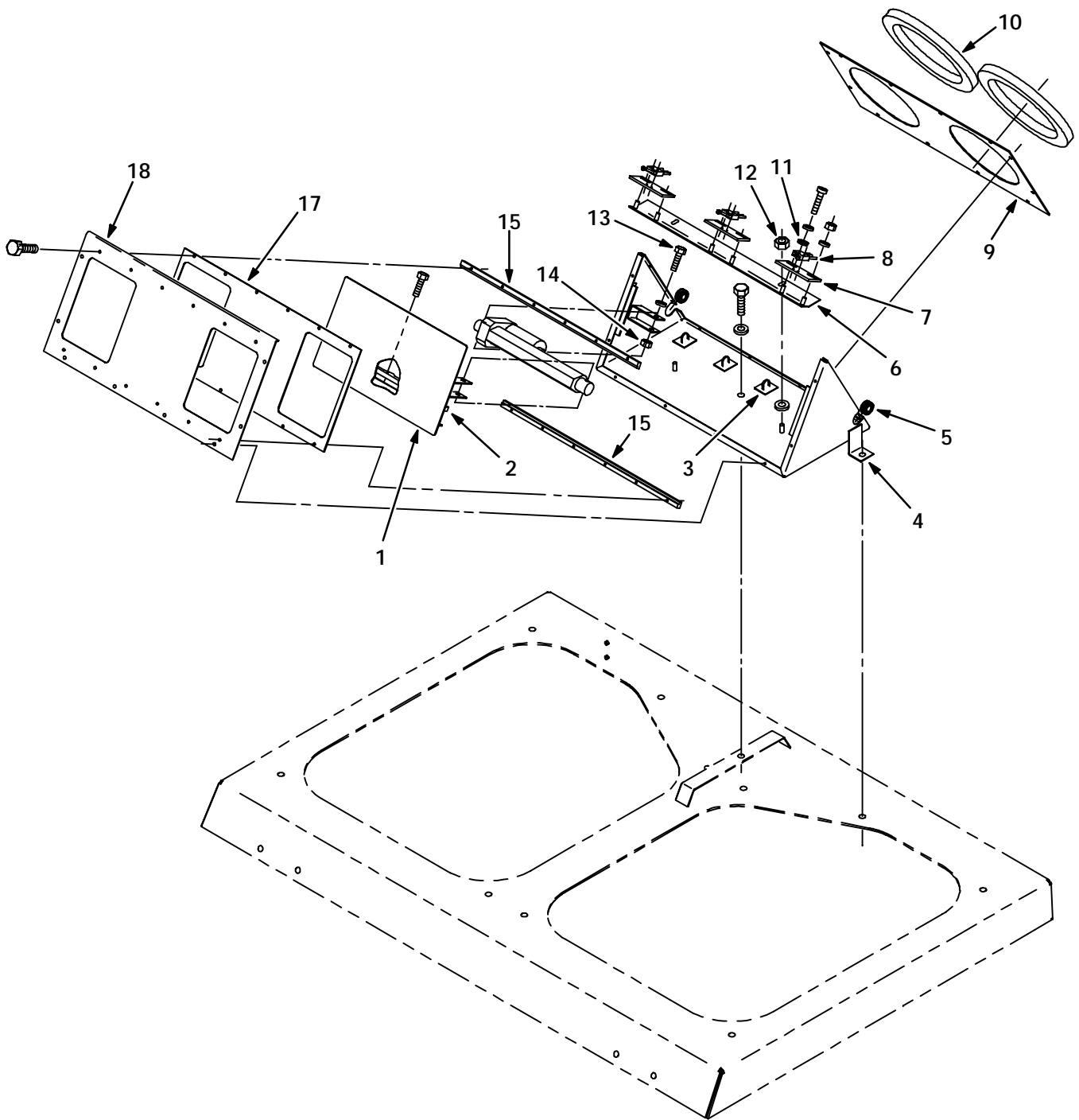


Fig. 49 -- Vacuum System Group, RFS

Fig. 49 -- Vacuum System Group, RFS

Key	TENNANT Part No.	Machine Serial Number	Description	Qty.
1	32028	(000000-)	Door, Duct	1
2	32143	(000000-)	Strip, Cam	1
3	55248	(000000-)	Mount, Cable Tie	3
4	32022	(000000-)	Duct	1
5	10632-3	(000000-)	Grommet, Rubber	2
6	32091	(000000-)	Bracket, Switch Mounting	1
7	32139	(000000-)	Plate, Switch	3
8	28663	(000000-)	Switch Assembly	3
9	32025	(000000-)	Panel, Duct, Rear	1
10	32081	(000000-)	Gasket, Duct	2
11	14878	(000000-)	Ring-O	6
12	45181	(000000-)	Nut, Hex	2
13	06946	(000000-)	Screw, Hex, M6	2
14	08708	(000000-)	Nut, Nylon Hex, M6	2
15	32049	(000000-)	Strip, Guide	2
16	31997	(000000-)	Actuator, 12 V	1
17	32048	(000000-)	Panel, Door	1
18	32024	(000000-)	Panel, Front Duct	1

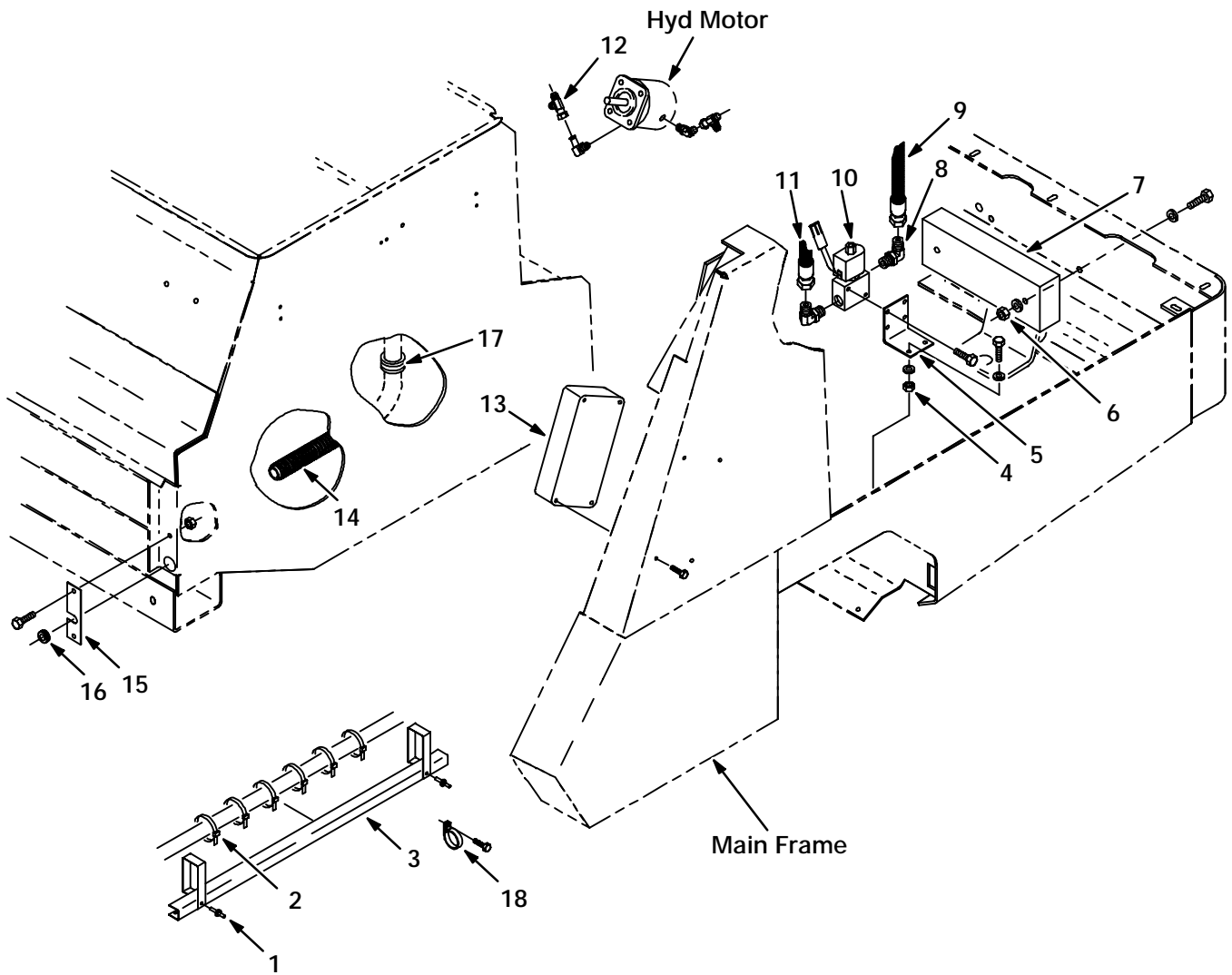


Fig. 50 -- Electrical and Hydraulic Group, RFS

Fig. 50 -- Electrical and Hydraulic Group, RFS

Key	TENNANT Part No.	Machine Serial Number	Description	Qty.
1	34738	(000000-)	Rivet, Pop	2
2	49266	(000000-)	Tie, Cable	6
3	32080	(000000-)	Channel, Harness Mounting	1
4	32981	(000000-)	Nut, Nylon Hex	2
5	32214	(000000-)	Bracket, Valve Mounting	1
6	50902	(000000-)	Nut, Nylon Hex	2
7	32011	(000000-)	Counterweight	1
8	69173	(000000-)	Fitting, Barbed Elbow	2
9	56701	(000000-)	Hose	1
10	32169	(000000-)	Solenoid, Valve	1
11	51754	(000000-)	Hose	1
12	45482	(000000-)	Fitting, Tee	2
13	32219	(000000-)	Logic Assembly, Autosshaker	1
14	68598	(000000-)	Conduit, Flex-Gard	1
15	32152	(000000-)	Plate	1
16	10632-3	(000000-)	Grommet, Rubber	2
17	10632	(000000-)	Grommet, Rubber	1
18	26395-1	(000000-)	Clamp	1

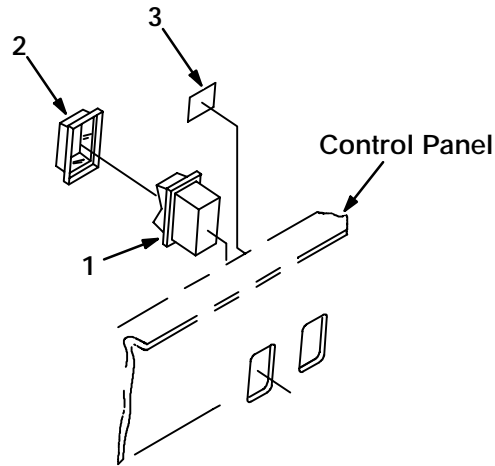
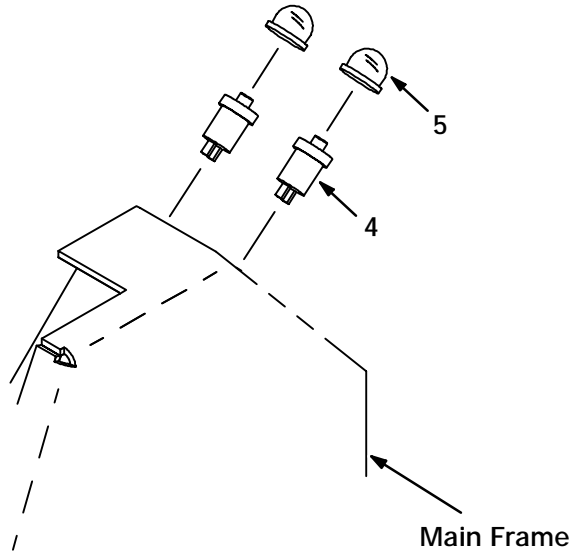


Fig. 51 -- Switch and Circuit Group, RFS

06122

Key	TENNANT Part No.	Machine Serial Number	Description	Qty.
1	31965	(000000-)	Switch, Rocker, SPST	1
2	57807	(000000-)	Cover, Rocker Switch Seal	1
3	32089	(000000-)	Label, Vacuum Fan Shut-Off	1
4	27920	(000000-)	Breaker, Circuit, 5 A	2
5	57751	(000000-)	Boot, Circuit Breaker	1

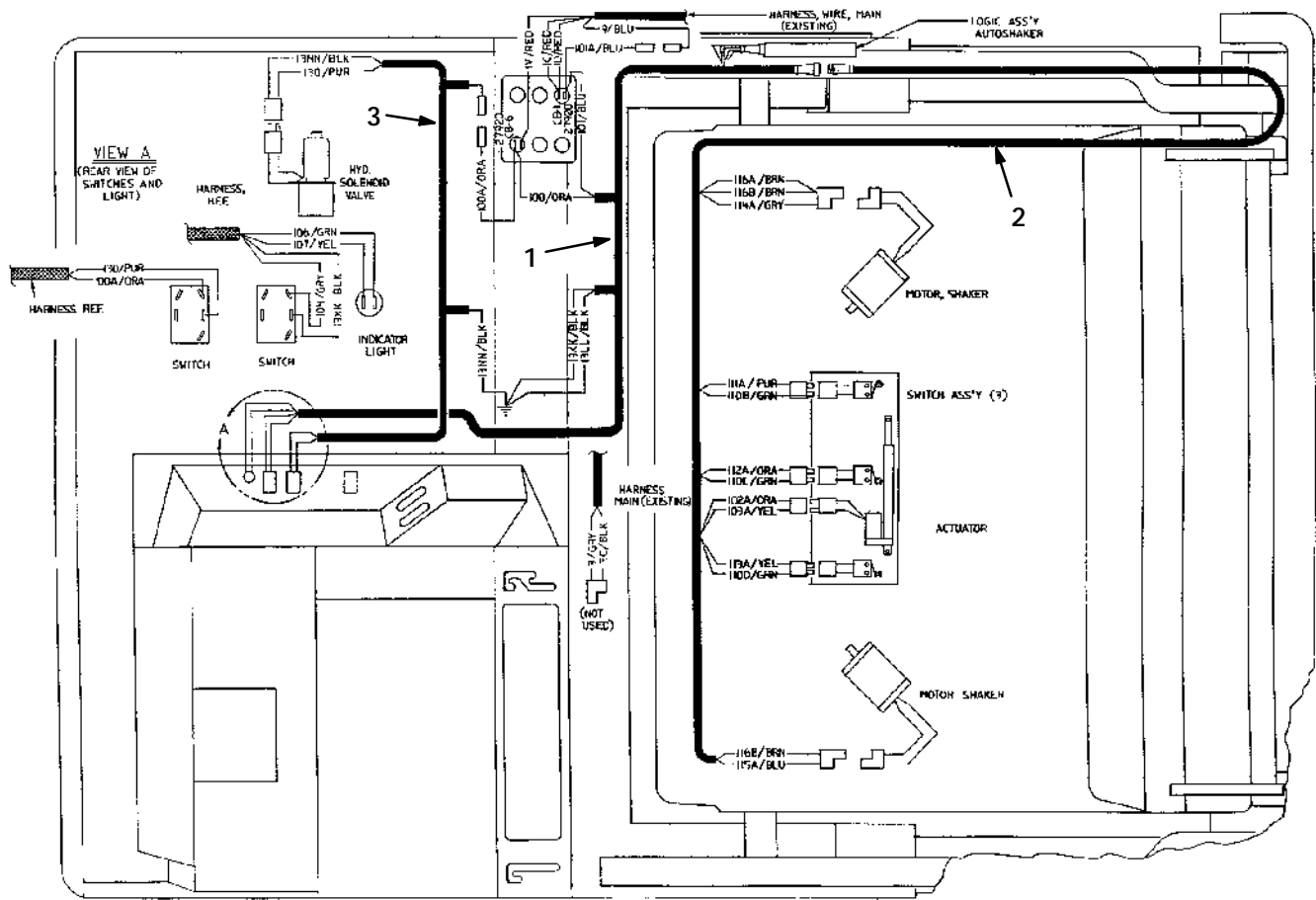


Fig. 52 -- Wire Harnesses Group, RFS

06188

Key	TENNANT Part No.	Machine Serial Number	Description	Qty.
1	28653	(000000-)	Harness, Wire, Shaker Main	1
2	28654	(000000-)	Harness, Wire, Shaker Hopper	1
3	32225	(000000-)	Harness, Wire, Vacuum Fan Bypass	1

SECTION 8

CONTENTS

	Page
ORDERING REPAIR PARTS	8-3
Fig. 1 – Hydraulic Piston Pump Breakdown 02703	8-4
Fig. 2 – Pump Hydraulic Gear Breakdown 82205	8-6
Fig. 3 – Hydraulic Motor Breakdown 02641	8-7
Fig. 4 – Hydraulic Motor Breakdown 13106	8-8
Fig. 5 – Hydraulic Motor Breakdown 27800	8-9
Fig. 6 – Hydraulic Motor Breakdown 13105	8-10
Fig. 7 – Hydraulic Motor Breakdown 28808	8-11
Fig. 8 – Hydraulic Motor Breakdown 77101	8-12
Fig. 9 – Hydraulic Motor Breakdown 27796	8-13
Fig. 10 – Hydraulic Motor Breakdown 27787	8-14
Fig. 11 – Hydraulic Valve Breakdown 62550	8-15
Fig. 12 – Hydraulic Valve Breakdown 34319	8-16
Fig. 13 – Hydraulic Solenoid Valve Breakdown 82754	8-17
Fig. 14 – Hydraulic Cylinder Breakdown 04468	8-18
Fig. 15 – Hydraulic Cylinder Breakdown 82757	8-19
Fig. 16 – Hydraulic Cylinder Breakdown 04471	8-20

*NOTE: SECTION 8, HYDRAULIC COMPONENTS,
lists repair parts for repairable hydraulic components.*

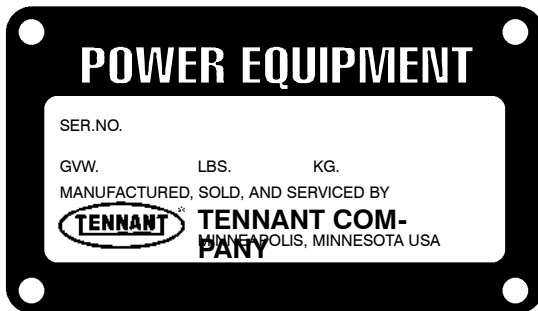
ORDERING REPAIR PARTS

The components used in this machine have been carefully selected for performance and safety. Use only Tennant Company specified or equivalent parts.

To receive prompt service in filling of your parts orders, please direct all orders for parts with Tennant Company part numbers to the Tennant Company, and all orders for parts with vendor part numbers to the local supplier of the respective vendor.

When ordering parts, please furnish all of the following information:

1. Machine model number - shown on the machine data plate.



2. Machine serial number - shown on the machine data plate.
3. Power source - gasoline, LPG, diesel, electric.
4. Company name.
5. Shipping address.
6. Billing address.
7. Name, first and last - of person ordering parts.
8. Telephone number.
9. Purchase order number.
10. Part number, description, and quantity - of each item on the order.

Do not order parts by key number or the figure number of the illustrated parts. Indented items indicate parts of assemblies. Standard hardware is furnished only when part of a purchased assembly. Please get hardware from a local hardware supplier.

If the old part cannot be identified, send it to us with the quantity needed specified on the order.

Any claim for loss or damage to a shipment in transit should be filed promptly against the transportation company making the delivery. Shipments will be complete unless the packing list or order acknowledgement indicate items back ordered.

If parts received are suspected to be incorrect or defective, please write, wire, or phone the Tennant Company representative from whom you ordered the part. They will give authorization for return and/or handle replacement shipments when required.

SERIAL NUMBER INFORMATION EXPLANATION

Serial number listings are shown to indicate on which machines each part can be used. These listings are explained by the following examples:

(000000—) The part can be used on all machines.

(003342—) The part can be used on all machines beginning with the serial number listed.

(000000— 004320) The part can be used on all machines up to and including serial number listed.

(004321—005678) The part can be used on all machines between and including the serial numbers listed.

Where xxxxx's are listed in place of a serial number, it indicates a change was made but the exact serial number had not been established when the catalog went to press.

SI UNITS OF MEASURE (INTERNATIONAL SYSTEM)

Metric equivalents have been included, where applicable, throughout this parts catalog.

FASTENER STRENGTH IDENTIFICATION

Fasteners required to have high—strength qualities equivalent to SAE Grade 8 are identified throughout this catalog by the description GR 8. Unless identified by this description, all standard fasteners are SAE Grade 5.

(Specifications and design subject to change without notice.)

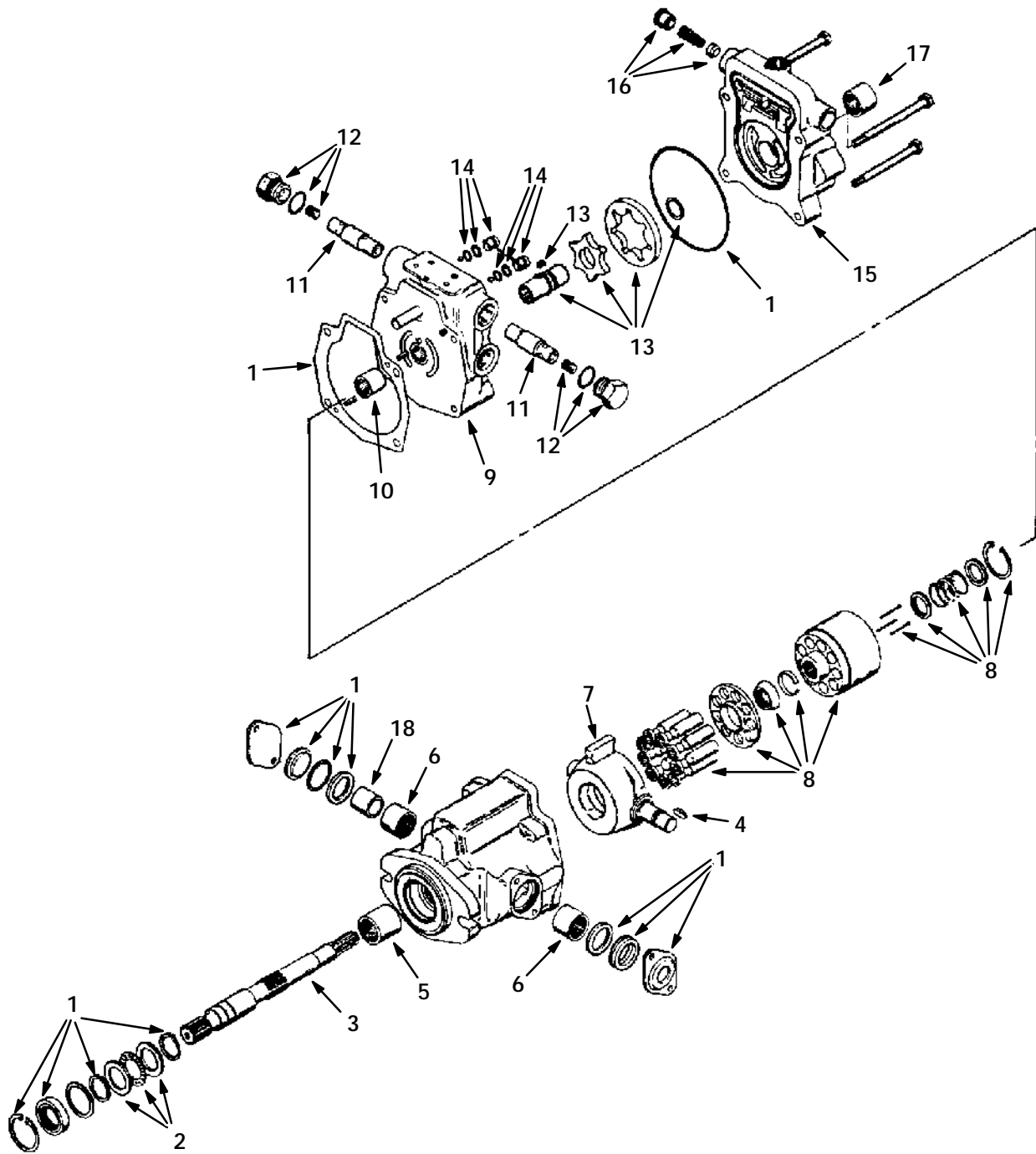


Fig. 1 -- Hydraulic Piston Pump Breakdown 02703

Fig. 1 – Hydraulic Piston Pump Breakdown 02703

Key	TENNANT® Part No.	Manufacturer Serial Number	Description	Qty.
	02703	(000000–)	Pump, Hydraulic	1
1	02711	(000000–)	Seal Kit	1
2	55922	(000000–)	Bearing Kit, Thrust	1
3	55931	(000000–)	Shaft, Pump	1
4	02710	(000000–)	Key	1
5	55939	(000000–)	Bearing, Roller	1
6	02709	(000000–)	Bearing, Trunnion	2
7	02708	(000000–)	Plate, Cam	1
8	02706	(000000–)	Rotating Kit	1
9	02707	(000000–)	Back Plate	1
10	55937	(000000–)	Bearing, Roller	1
11	02650	(000000–)	Valve, Relief	2
12	57210	(000000–)	Plug Assembly	2
13	55932	(000000–)	Gerotor and Coupler Assembly	1
14	37457	(000000–)	Valve Assembly	2
15	55930	(000000–)	Pump Adaptor Assembly	1
16	55906	(000000–)	Valve, Charge Relief	1
17	55929	(000000–)	Bearing, Roller	1
18	02705	(000000–)	Bearing, Inner Race	1

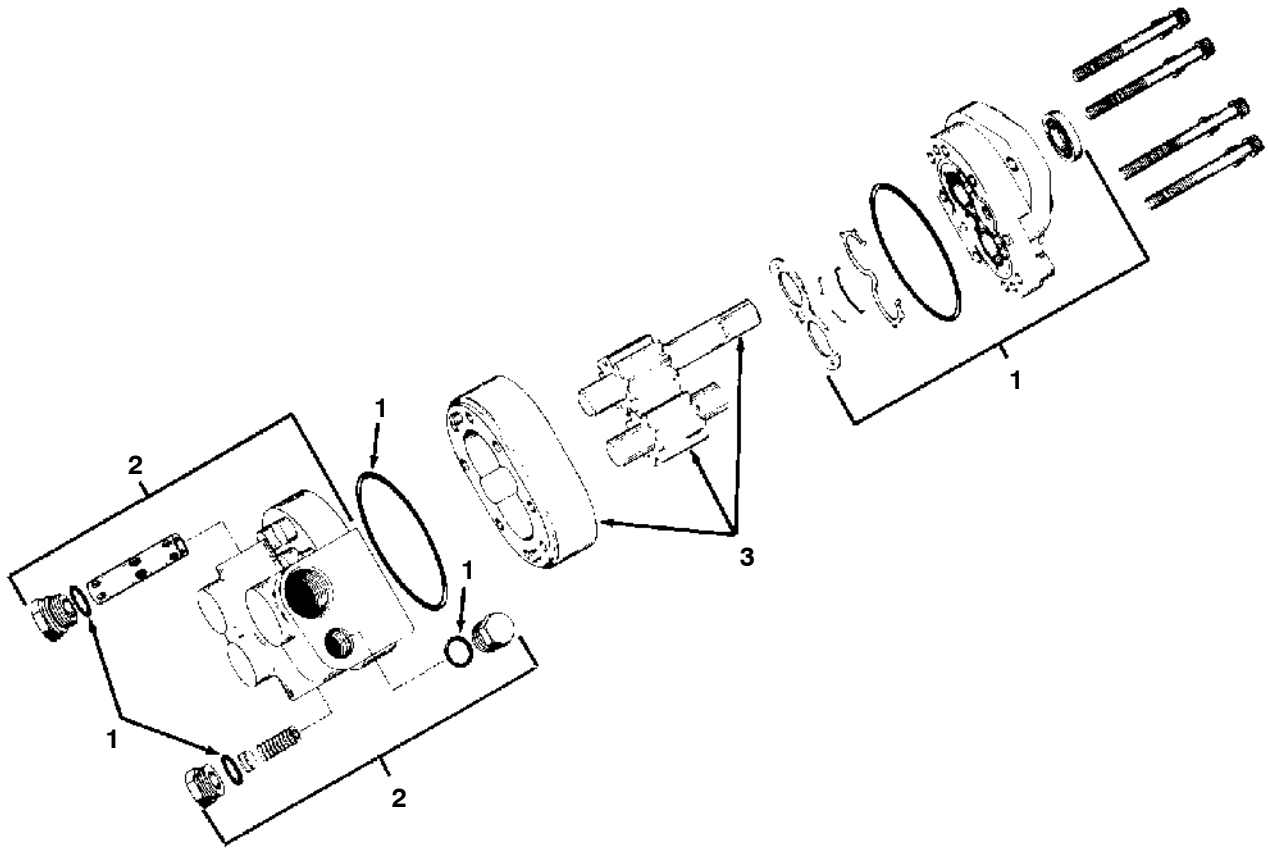


Fig. 2 – Pump Hydraulic Gear Breakdown 82205

04507

Key	TENNANT® Part No.	Manufacturer Serial Number	Description	Qty.
	82205	(000000–)	Pump, Hydraulic	1
1	57064	(000000–)	Seal Kit, Pump	1
2	82333	(000000–)	Back Plate Kit	1
3	02602	(000000–)	Gear and Body Kit	1

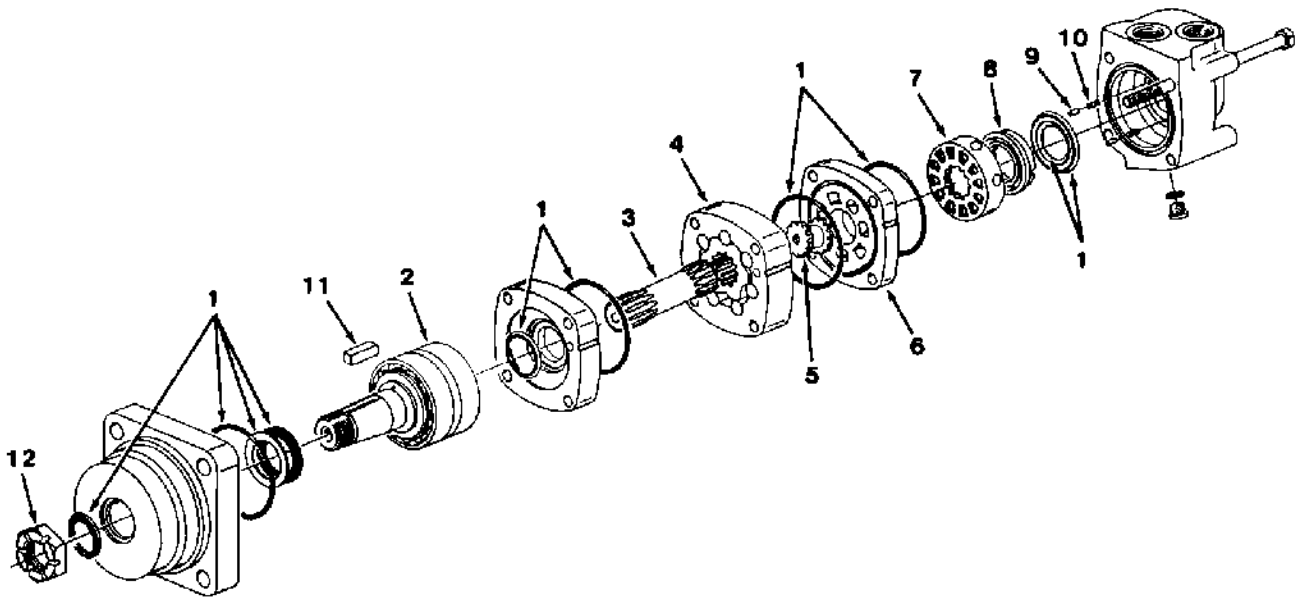


Fig. 3 – Hydraulic Motor Breakdown 02641

03407

Key	TENNANT® Part No.	Manufacturer Serial Number	Description	Qty.
	02641	(000000–)	Motor, Hydraulic	1
1	02643	(000000–)	Seal Kit	1
2	02644	(000000–)	Shaft and Bearing Kit	1
3	02603	(000000–)	Drive	1
4	02645	(000000–)	Geroler	1
5	57370	(000000–)	Valve Drive	1
6	02646	(000000–)	Valve Plate	1
7	02647	(000000–)	Valve	1
8	57373	(000000–)	Balance Ring	1
9	57374	(000000–)	Pin	2
10	57375	(000000–)	Spring	2
11	38315	(000000–)	Key	1
12	38490	(000000–)	Nut	1

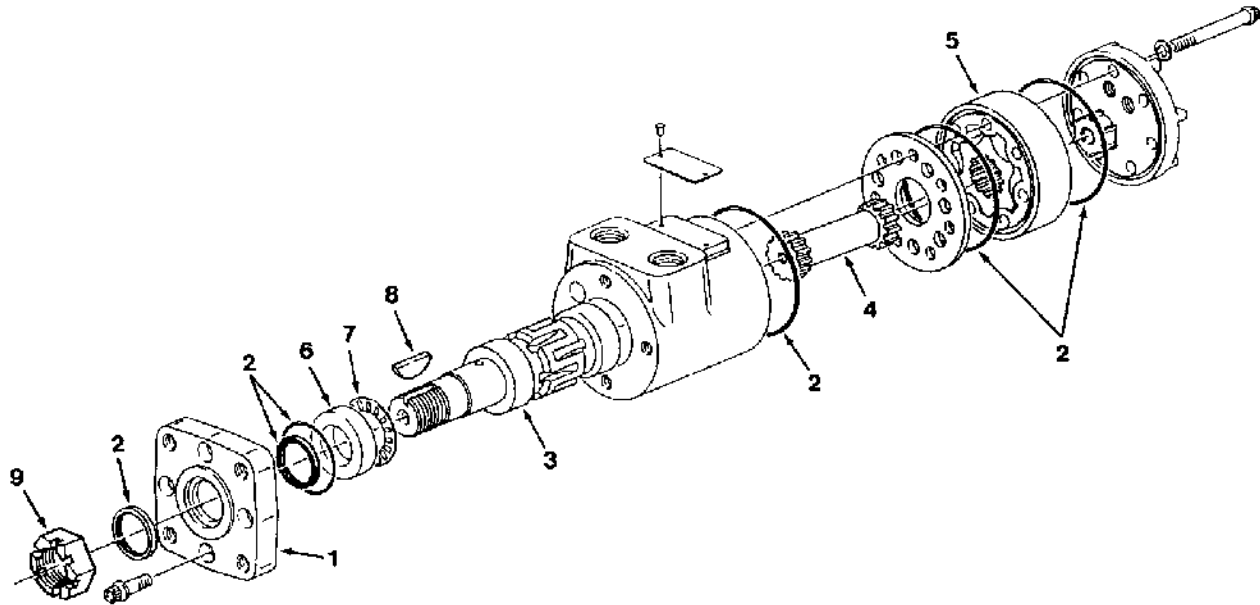


Fig. 4 – Hydraulic Motor Breakdown 13106

03939

Key	Tennant® Part No.	Manufacturer Serial Number	Description	Qty
	13106	(000000–)	Motor, Hydraulic Rep. By 27800	1
1	34174	(000000–)	Flange, Mounting	1
2	28835	(000000–)	Seal Kit	1
3	37617	(000000–)	Shaft, Output	1
4	34176	(000000–)	Drive	1
5	34177	(000000–)	Gerotor Set	1
6	16695	(000000–)	Race, Thrust	1
7	45628	(000000–)	Bearing, Thrust	1
8	00500–15	(000000–)	Key, Woodruff	1
9	39527	(000000–)	Nut, slotted Hex	1

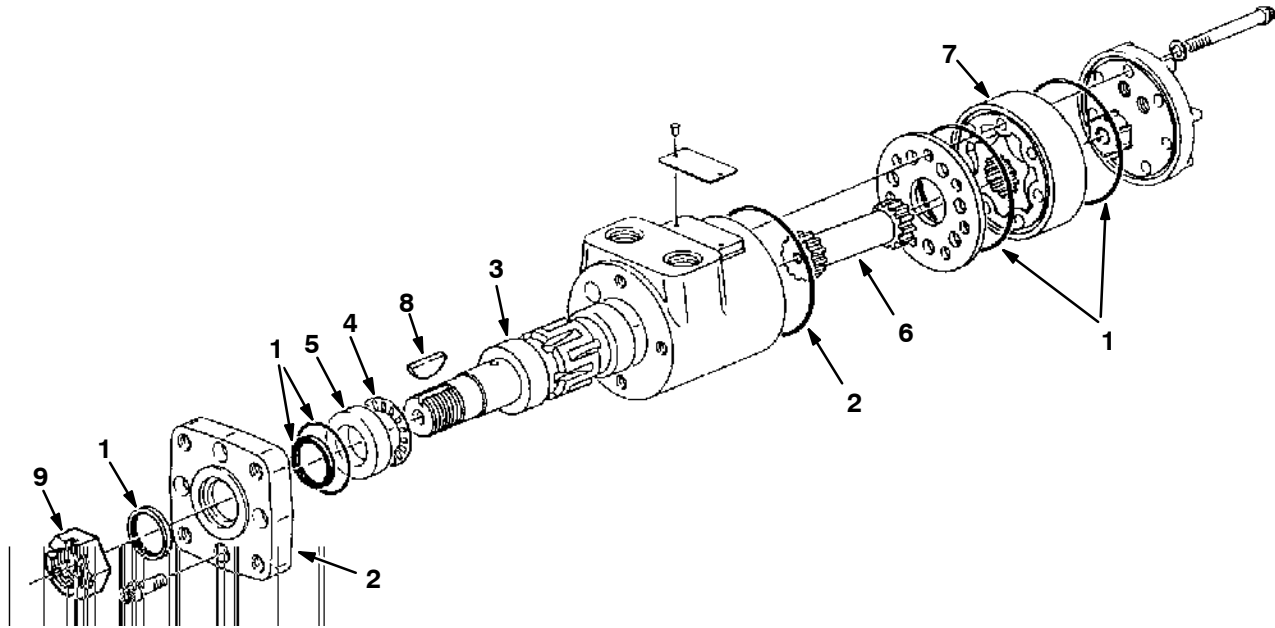
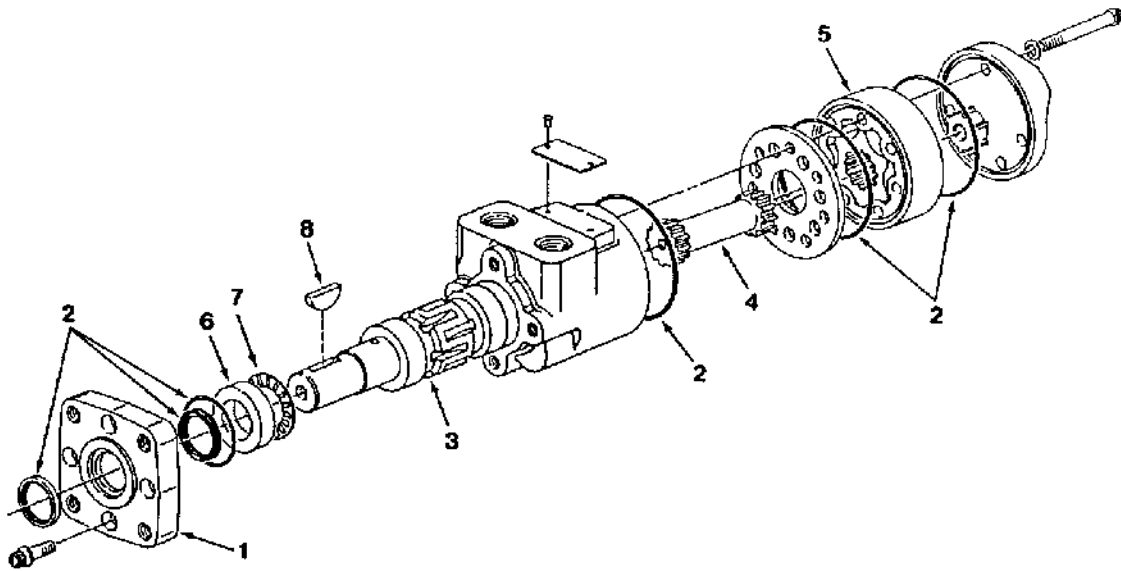


Fig. 5 – Hydraulic Motor Breakdown 27800

05347

Key	Tennant® Part No.	Manufacturer Serial Number	Description	Qty
	27800	(000000–)	Motor, Hydraulic	1
1	28835	(000000–)	Seal Kit	1
2	31354	(000000–)	Flange, Mounting	1
	31374	(000000–)	Output Shaft Assembly	1
3	31375	(000000–)	Shaft, Output	1
4	45628	(000000–)	Bearing	1
5	16695	(000000–)	Race, Thrust	1
6	31380	(000000–)	Drive	1
7	31383	(000000–)	Gerotor Set	1
8	00500–15	(000000–)	Key, Woodruff	1
9	39527	(000000–)	Nut, slotted Hex	1



03938

Fig. 6 – Hydraulic Motor Breakdown 13105

Key	Tennant® Part No.	Manufacturer Serial Number	Description	Qty
	13105	(000000–)	Motor, Hydraulic Rep. by 28808	1
1	34174	(000000–)	Flange, Mounting	1
2	28835	(000000–)	Seal Kit	1
3	16694	(000000–)	Shaft, Output	1
4	34176	(000000–)	Drive	1
5	87663	(000000–)	Gerotor	1
6	16695	(000000–)	Race, Thrust	1
7	45628	(000000–)	Bearing, Thrust	1
8	00500–15	(000000–)	Key, Woodruff	1

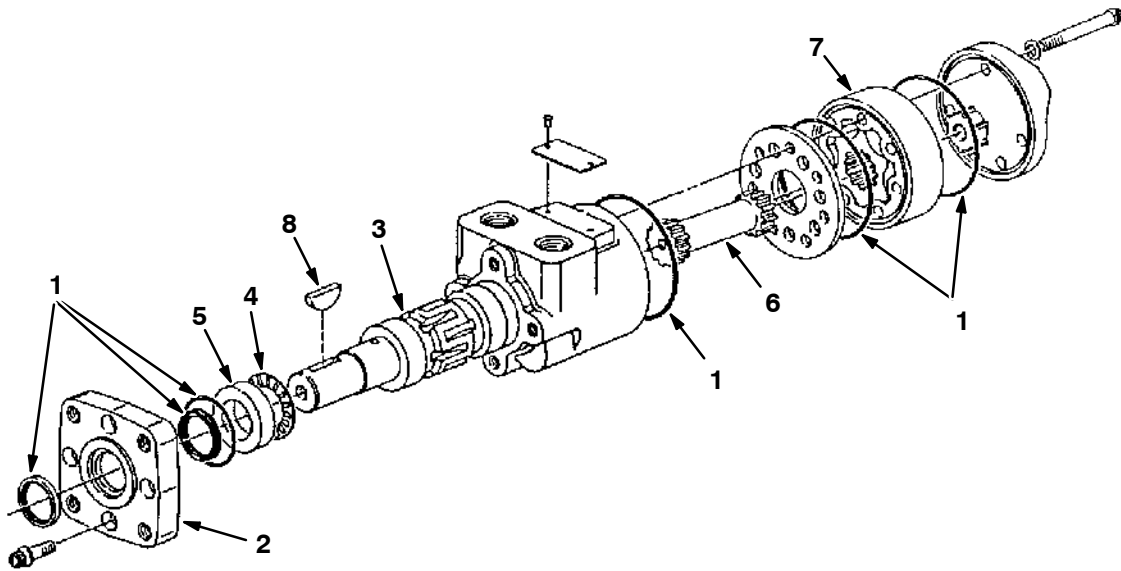


Fig. 7 – Hydraulic Motor Breakdown 28808

05349

Key	Tennant® Part No.	Manufacturer Serial Number	Description	Qty
	28808	(000000–)	Motor, Hydraulic	1
1	28835	(000000–)	Seal Kit	1
2	31354	(000000–)	Flange, Mounting	1
	34175	(000000–)	Output Shaft Assembly	1
3	16694	(000000–)	Shaft, Output	1
4	45628	(000000–)	Bearing Thrust	1
5	16695	(000000–)	Race, Thrust	1
6	34176	(000000–)	Drive	1
7	31381	(000000–)	Gerotor Set	1
8	00500–15	(000000–)	Key, Woodruff	1

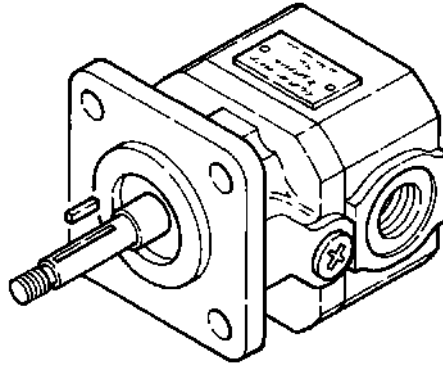


Fig. 8 – Hydraulic Motor Breakdown 77101

02613

Key	TENNANT® Part No.	Manufacturer Serial Number	Description	Qty.
	77101	(000000–)	Motor, Hydraulic	1
	SK2561	(000000–)	Seal Kit	1
	00966	(000000–)	Key	1

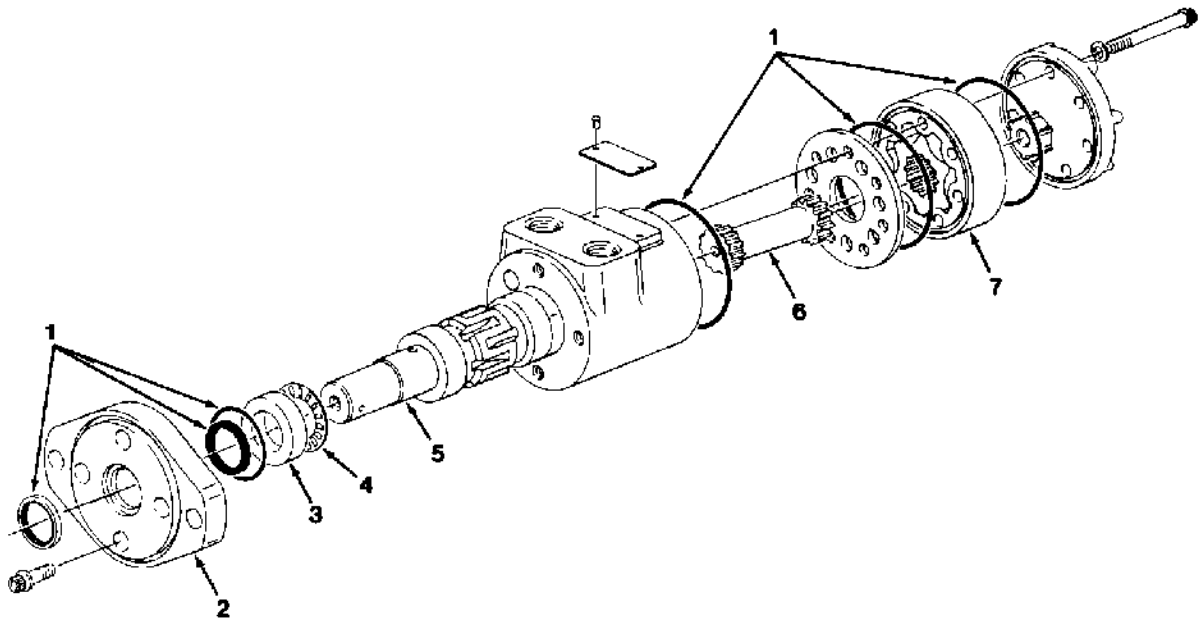


Fig. 9 – Hydraulic Motor Breakdown 27796

02799

Key	TENNANT® Part No.	Manufacturer Serial Number	Description	Qty.
	27796	(000000–)	Motor, Hydraulic	1
1	28835	(000000–)	Seal Kit	1
2	38645	(000000–)	Flange, Mounting	1
3	16695	(000000–)	Race	1
4	57283	(000000–)	Bearing	1
5	02630	(000000–)	Shaft	1
6	34176	(000000–)	Drive	1
7	34177	(000000–)	Gerotor Assembly	1

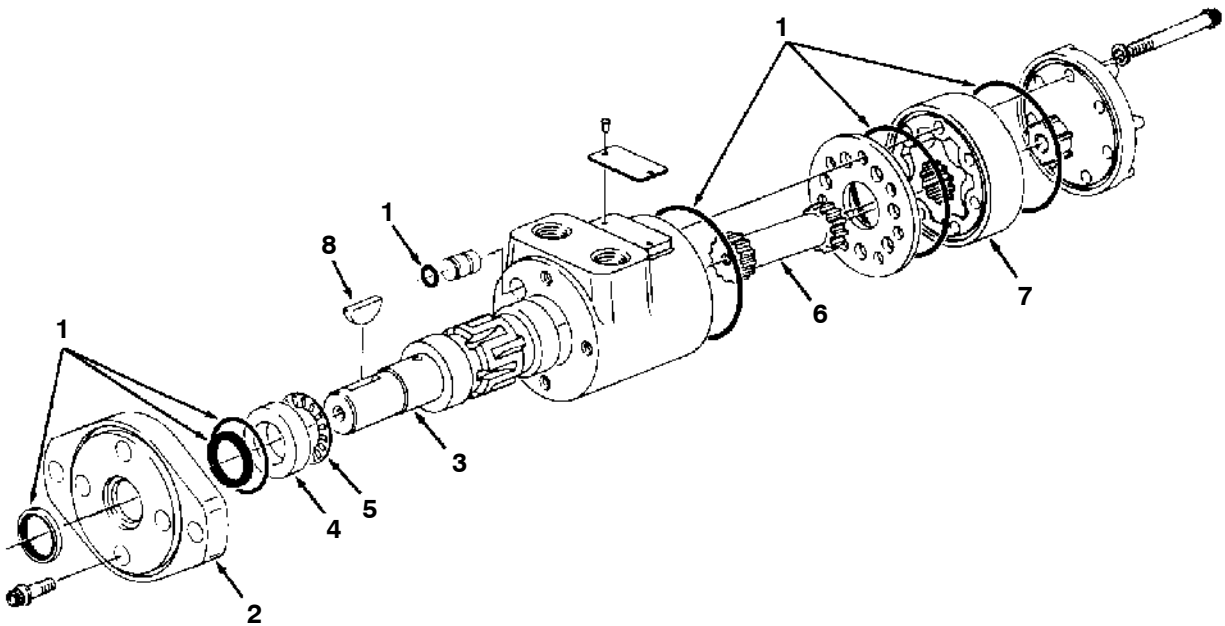


Fig. 10 – Hydraulic Motor Breakdown 27787

02800

Key	Tennant® Part No.	Manufacturer Serial Number	Description	Qty
	27787	(000000–)	Motor, Hydraulic	1
1	28835	(000000–)	Seal Kit	1
2	31354	(000000–)	Flange, Mounting	1
	31362	(000000–)	Output Shaft Assembly	1
3	31363	(000000–)	Shaft, Output	1
4	16695	(000000–)	Race, Thrust	1
5	45628	(000000–)	Bearing, Thrust	1
6	34172	(000000–)	Drive	1
7	57542	(000000–)	Gerotor Set	1
8	00500–15	(000000–)	Key, Woodruff	1

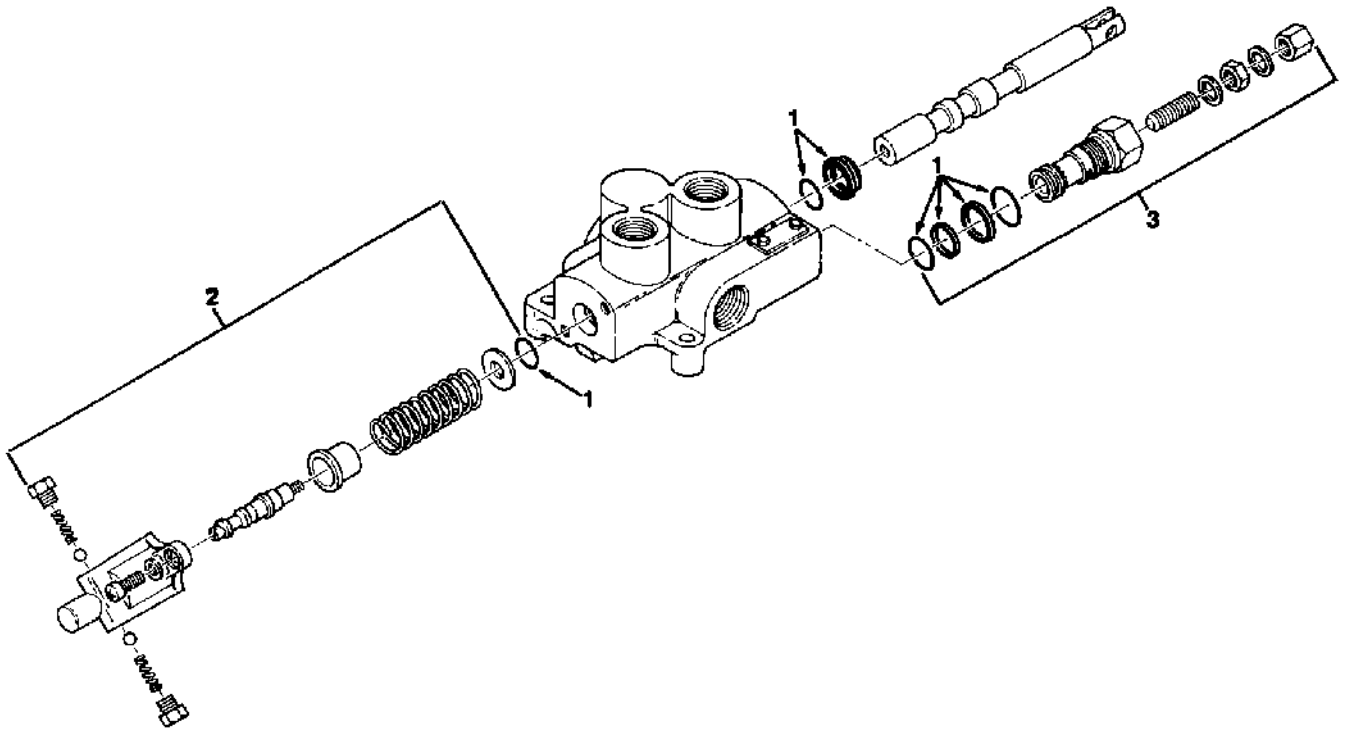


Fig. 11 – Hydraulic Valve Breakdown 62550

02581

Key	TENNANT® Part No.	Manufacturer Serial Number	Description	Qty.
	62550	(000000–)	Valve, Hydraulic	1
1	01666	(000000–)	Seal Kit	1
2	01669	(000000–)	Detent Kit	1
3	01817	(000000–)	Relief Assembly	1

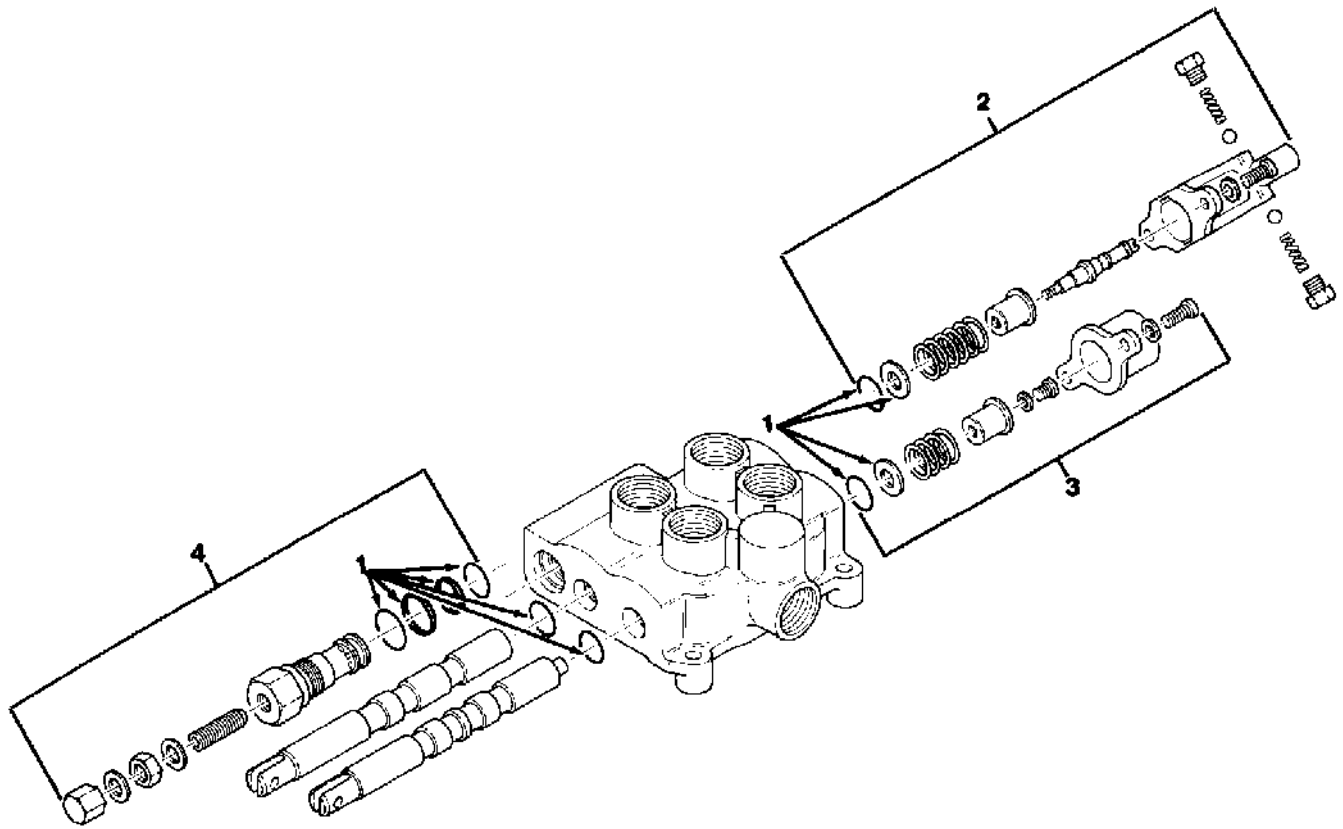


Fig. 12 – Hydraulic Valve Breakdown 34319

02563

Key	TENNANT® Part No.	Manufacturer Serial Number	Description	Qty.
	34319	(000000–)	Valve, Hydraulic	1
1	01666	(000000–)	Seal Kit	1
2	01669	(000000–)	Detent Kit	1
3	01673	(000000–)	Spring Kit, Centering	1
4	01818	(000000–)	Relief Assembly	1

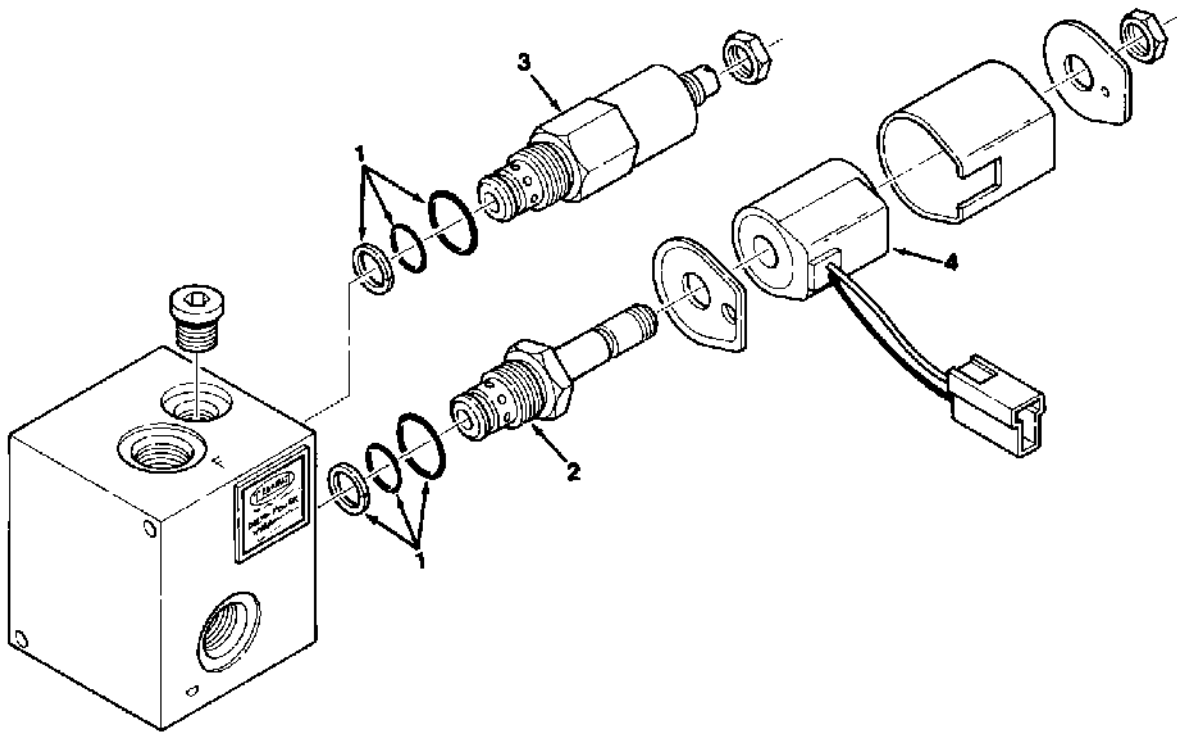
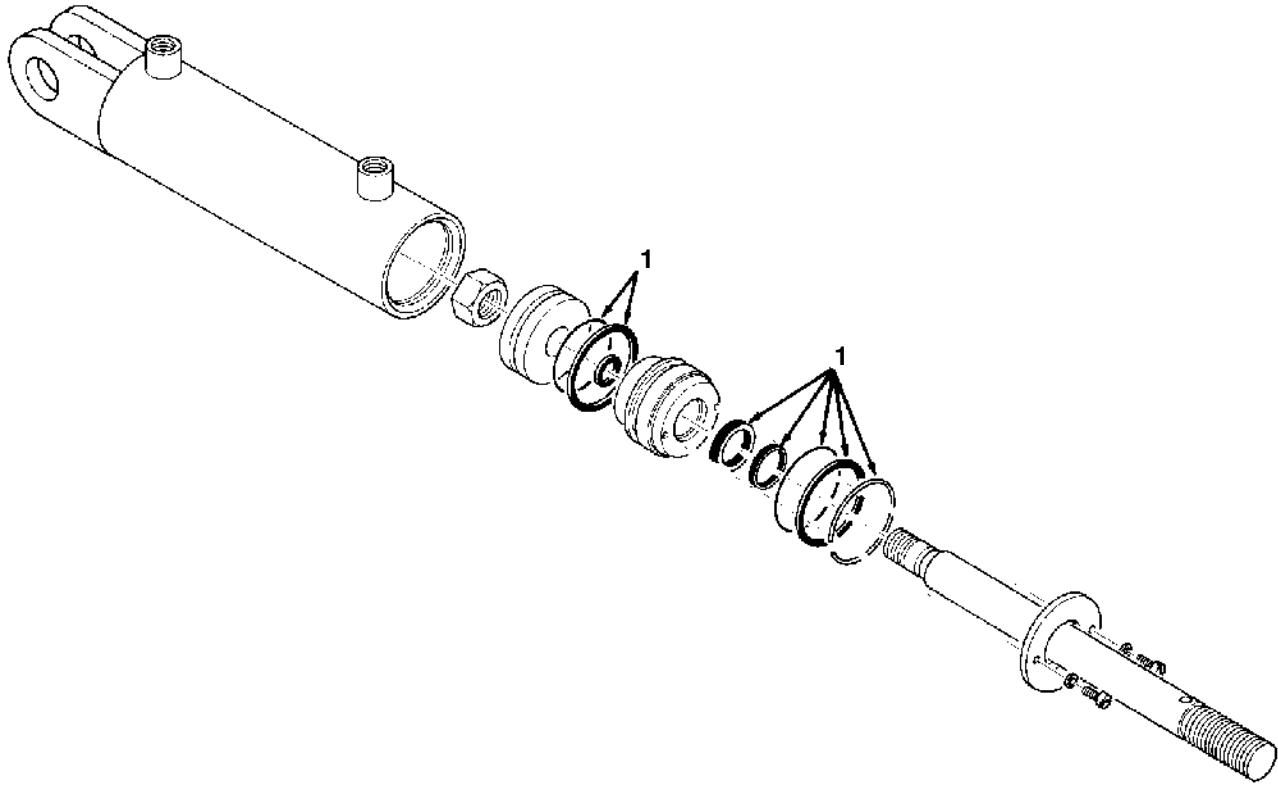


Fig. 13 – Hydraulic Solenoid Valve Breakdown 82754

02580

Key	TENNANT® Part No.	Manufacturer Serial Number	Description	Qty.
	82754	(000000–)	Valve, Solenoid	1
1	02606	(000000–)	Seal Kit	1
2	02607	(000000–)	Valve, Cartridge	1
3	02609	(000000–)	Valve, Relief	1
4	57186	(000000–)	Solenoid	1



02609

Fig. 14 – Hydraulic Cylinder Breakdown 04468

Key	TENNANT® Part No.	Manufacturer Serial Number	Description	Qty.
1	04468	(000000–)	Cylinder, Hydraulic	1
	04480	(000000–)	Seal Kit	1

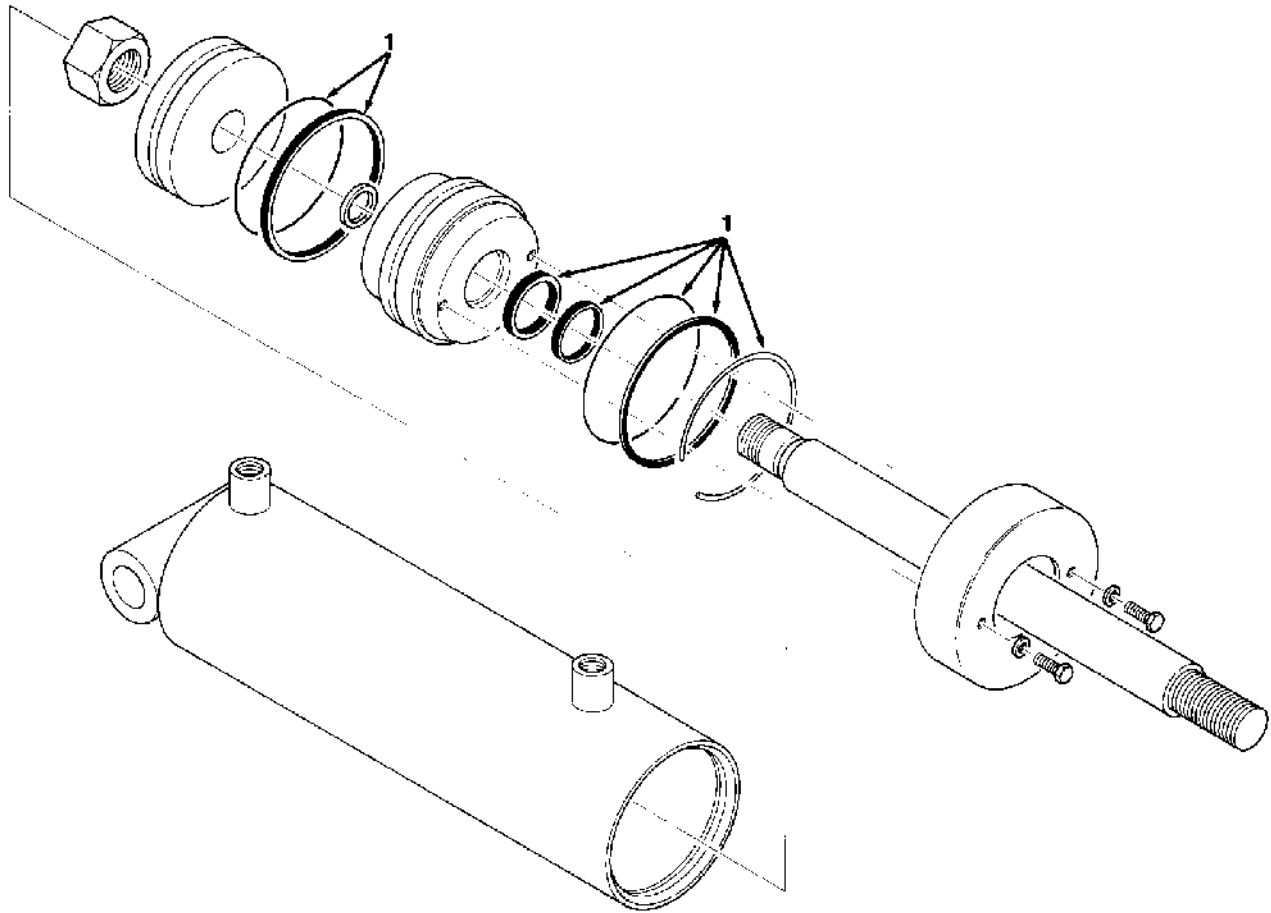
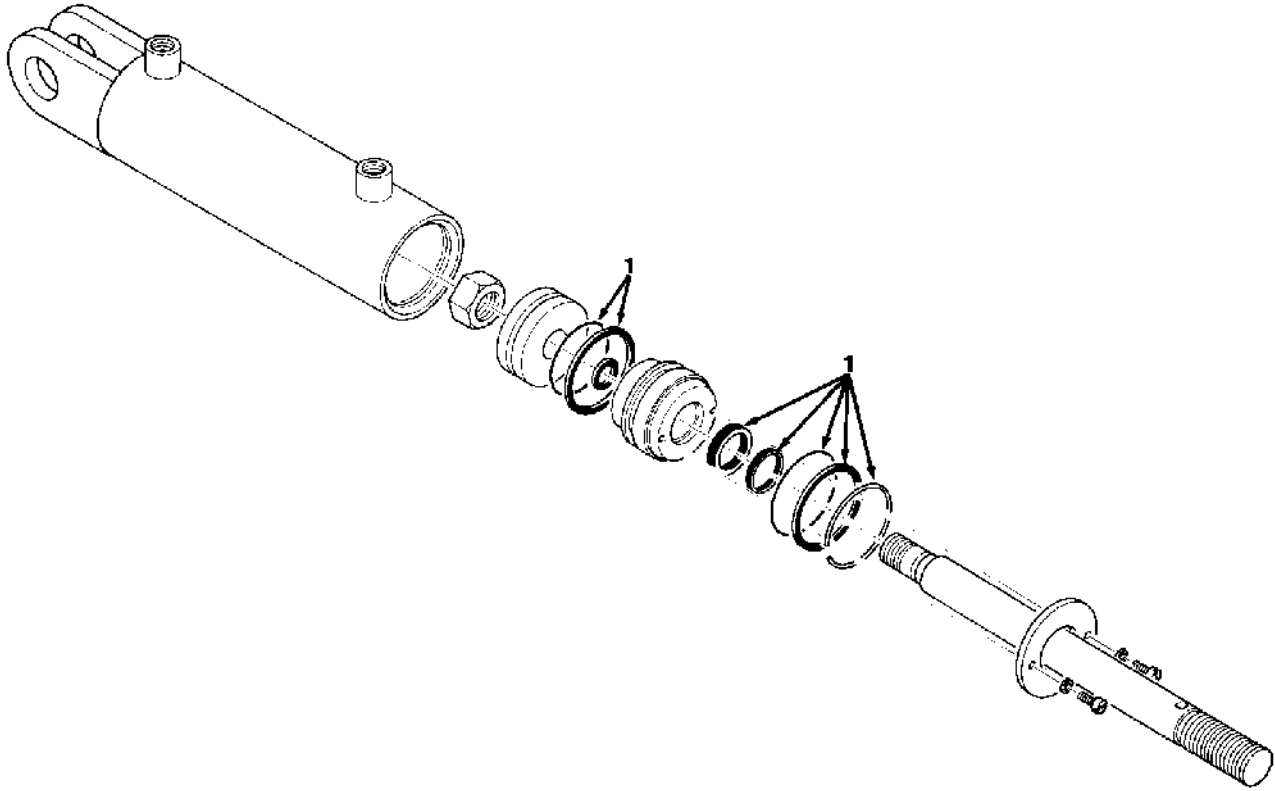


Fig. 15 – Hydraulic Cylinder Breakdown 82757

02608

Key	TENNANT® Part No.	Manufacturer Serial Number	Description	Qty.
1	82757	(000000–)	Cylinder, Hydraulic	1
	02621	(000000–)	Seal Kit	1



02607

Fig. 16 – Hydraulic Cylinder Breakdown 04471

Key	TENNANT® Part No.	Manufacturer Serial Number	Description	Qty.
1	04471	(000000 –)	Cylinder, Hydraulic	1
	04477	(000000 –)	Seal Kit	1

SECTION 9

CONTENTS

	Page
ORDERING REPAIR PARTS	9-3
Fig. 1 – Cylinder Head Group	9-4
Fig. 2 – Cylinder Block Group	9-6
Fig. 3 – Camshaft Group	9-8
Fig. 4 – Crankshaft and Piston Group	9-10
Fig. 5 – Oil Pump and Oil Pan Group	9-12
Fig. 6 – Intake and Exhaust Manifold Group	9-14
Fig. 7 – Front Cover Group	9-15
Fig. 8 – Water Pump Group	9-16
Fig. 9 – Distributor Group	9-18
Fig. 10 – Gaskets Group	9-20
Fig. 11 – Flywheel Group	9-22

NOTE: SECTION 9, ENGINE PARTS, GASOLINE, LPG, lists repair parts for gasoline and LPG powered engines, TENNANT part number 07490, on machines with serial numbers up through 037999.

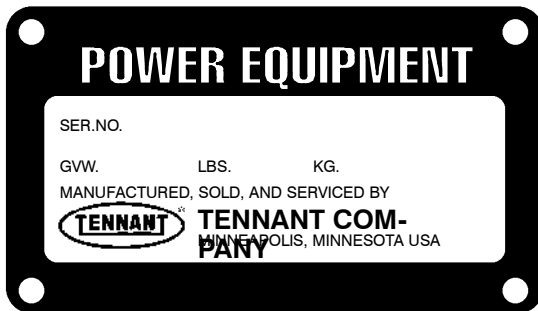
ORDERING REPAIR PARTS

The components used in this machine have been carefully selected for performance and safety. Use only Tennant Company specified or equivalent parts.

To receive prompt service in filling of your parts orders, please direct all orders for parts with Tennant Company part numbers to the Tennant Company, and all orders for parts with vendor part numbers to the local supplier of the respective vendor.

When ordering parts, please furnish all of the following information:

1. Machine model number - shown on the machine data plate.



2. Machine serial number - shown on the machine data plate.
3. Power source - gasoline, LPG, diesel, electric.
4. Company name.
5. Shipping address.
6. Billing address.
7. Name, first and last - of person ordering parts.
8. Telephone number.
9. Purchase order number.
10. Part number, description, and quantity - of each item on the order.

Do not order parts by key number or the figure number of the illustrated parts. Indented items indicate parts of assemblies. Standard hardware is furnished only when part of a purchased assembly. Please get hardware from a local hardware supplier.

If the old part cannot be identified, send it to us with the quantity needed specified on the order.

Any claim for loss or damage to a shipment in transit should be filed promptly against the transportation company making the delivery. Shipments will be complete unless the packing list or order acknowledgement indicate items back ordered.

If parts received are suspected to be incorrect or defective, please write, wire, or phone the Tennant Company representative from whom you ordered the part. They will give authorization for return and/or handle replacement shipments when required.

SERIAL NUMBER INFORMATION EXPLANATION

Serial number listings are shown to indicate on which machines each part can be used. These listings are explained by the following examples:

(000000—) The part can be used on all machines.

(003342—) The part can be used on all machines beginning with the serial number listed.

(000000—004320) The part can be used on all machines up to and including serial number listed.

(004321—005678) The part can be used on all machines between and including the serial numbers listed.

Where xxxxx's are listed in place of a serial number, it indicates a change was made but the exact serial number had not been established when the catalog went to press.

SI UNITS OF MEASURE (INTERNATIONAL SYSTEM)

Metric equivalents have been included, where applicable, throughout this parts catalog.

FASTENER STRENGTH IDENTIFICATION

Fasteners required to have high—strength qualities equivalent to SAE Grade 8 are identified throughout this catalog by the description GR 8. Unless identified by this description, all standard fasteners are SAE Grade 5.

(Specifications and design subject to change without notice.)

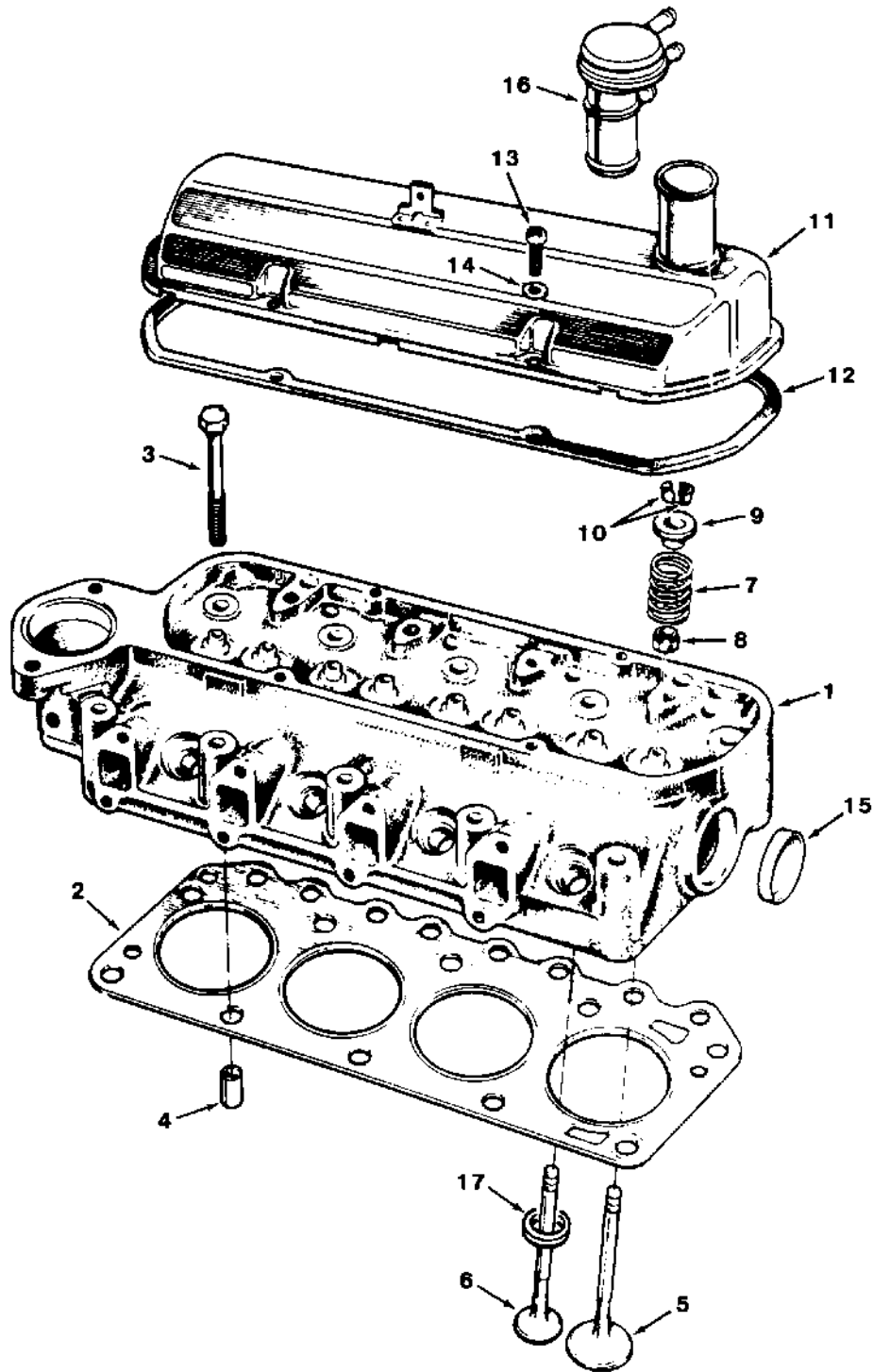


Fig. 1 - Cylinder Head Group

Fig. 1 – Cylinder Head Group

Key	TENNANT® Part No.	Ford Part Number	Engine Serial Number	Description	Qty.
1		86BM-6049-BB	(000000-)	Head Assembly, Cylinder	1
2	07704	86BM-6051-B1A	(000000-)	Gasket, Cylinder Head	1
3		77BM-6065-AA	(000000-)	Bolt, Cylinder Head	10
4		E840126-S	(000000-)	Dowel, Cylinder Head to Block	2
5		80BM-6507-AC	(000000-)	Valve, Intake, Std.	4
		80BM-6507-CC	(000000-)	Valve, Intake, 0.015" (0.38 mm) O/S	As Req.
6		77BM-6505-DB	(000000-)	Valve, Exhaust, Std.	4
7		84BM-6513-AA	(000000-)	Spring, Valve	8
8		D1FZ-6571-B	(000000-)	Seal, Valve Stem Oil, Intake	4
		77BM-6571-AB	(000000-)	Seal, Valve Stem Oil, Exhaust	4
9		D1FZ-6514-B	(000000-)	Retainer, Valve Spring	8
10	37695	D1FZ-6518-B	(000000-)	Lock, Valve Spring Retainer	16
11	10792	84BM-6582-CA	(000000-)	Cover, Rocker Arm	1
12	07705	77BM-6584-CA	(000000-)	Gasket, Rocker Arm Cover	1
13		E603166-S72	(000000-)	Screw, M6 x 16 Rocker Cover to Head	4
14		118297-ES8	(000000-)	Washer, Flat, 6 mm, Rocker Cover Bolt	4
15		D8RZ-6026-B	(000000-)	Plug	1
16	10795	84BF-6K614-CA	(000000-)	Cap, Oil Fill	1
17		86BM-6057-CA	(000000-)	Insert, Valve Seat	4

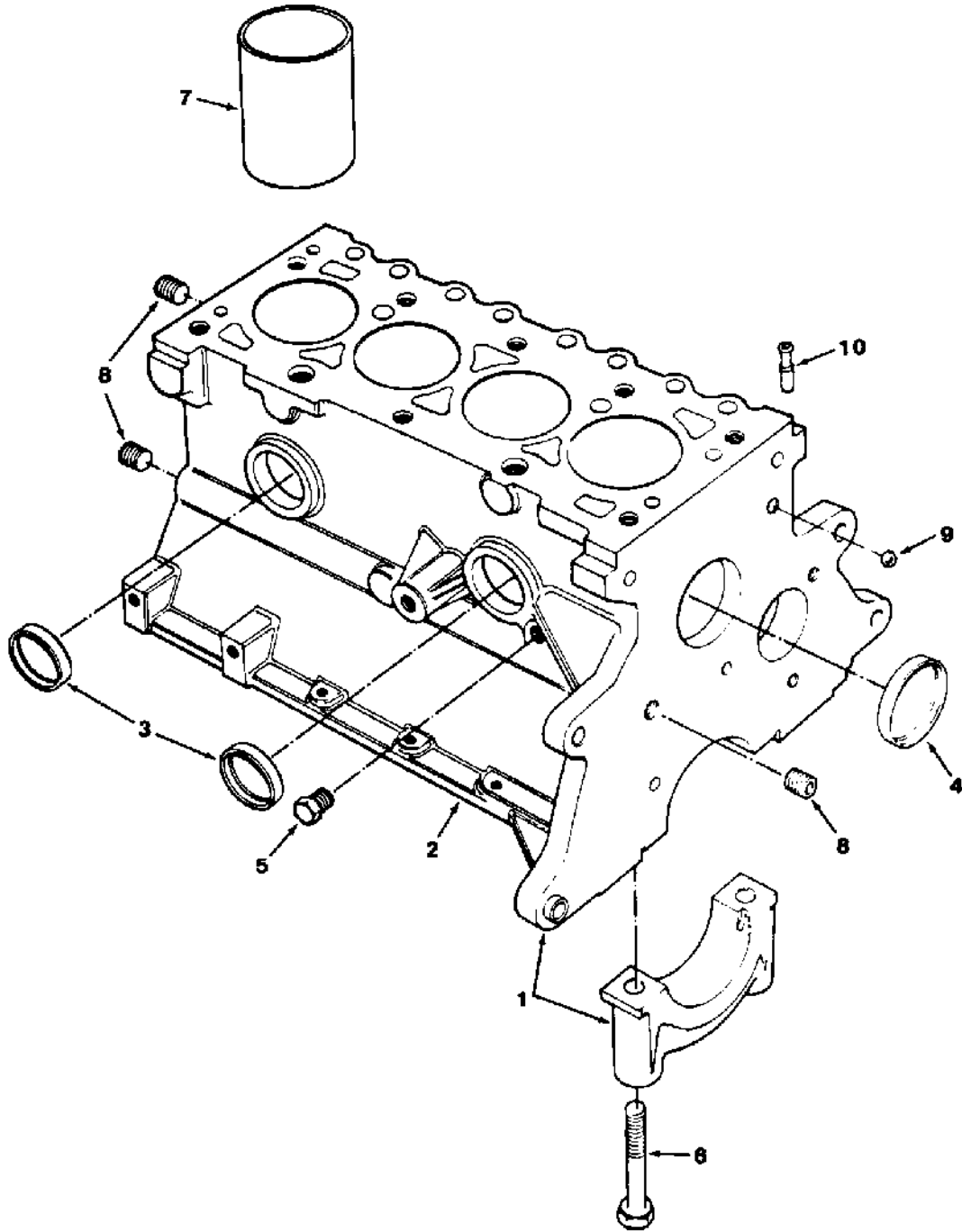


Fig. 2 - Cylinder Block Group

Fig. 2 – Cylinder Block Group

Key	TENNANT® Part No.	Ford Part Number	Engine Serial Number	Description	Qty.
1		84BM-6011-FA	(000000-)	Block, Cylinder with Crank, Pistons, Rings, etc.	1
2		82BM-6010-AA	(000000-)	Block, Cylinder	1
3		D8RZ-6026-B	(000000-)	Plug	2
4		D8RZ-6026-A	(000000-)	Plug	1
5		353055-S7	(000000-)	Plug, Water Drain	1
6		D1FZ-6345-A	(000000-)	Bolt, Main Bearing Cap	6
7		77BM-6055-AA	(000000-)	Liner, Cylinder	4
8		87837-S	(000000-)	Plug, Oil Gallery	3
9		E890100-S	(000000-)	Plug, Ball, Oil Gallery	1
10		D8RZ-6767-A	(000000-)	Adapter	1

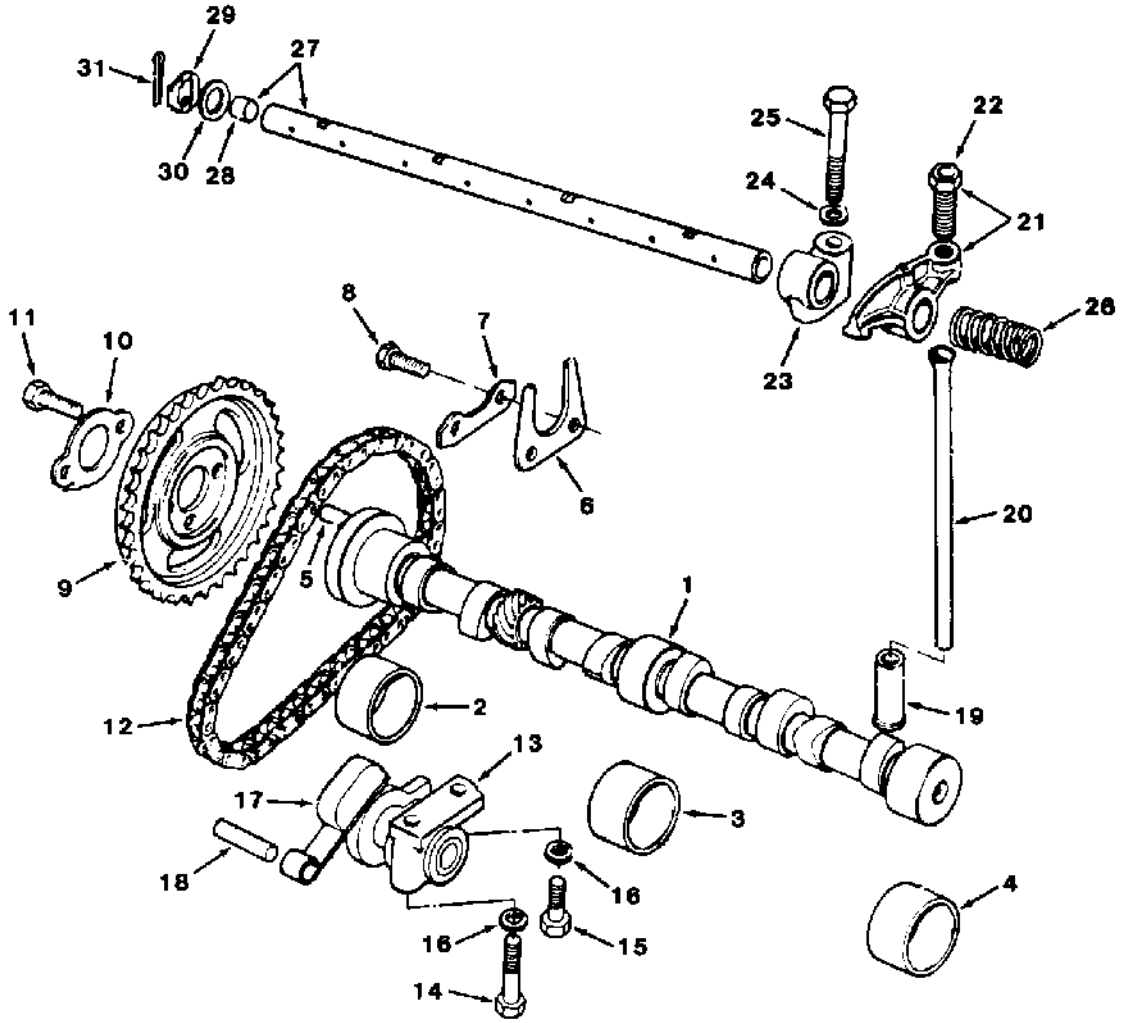


Fig. 3 - Camshaft Group

Fig. 3 – Camshaft Group

Key	TENNANT® Part No.	Ford Part Number	Engine Serial Number	Description	Qty.
1		86BM-6250-BA	(000000-)	Camshaft	1
2	37316	D0RY-6261-A	(000000-)	Bearing, Camshaft Front, Std. ID – Std. O.D.	1
2	37317	D0RY-6261-B	(000000-)	Bearing, Camshaft Front, Std. ID + 0.020" O.D.	As Req.
3	37306	D0RY-6262-A	(000000-)	Bearing, Camshaft Center, Std. ID – Std. O.D.	1
3	38242	D0RY-6262-B	(000000-)	Bearing, Camshaft Center, Std. ID + 0.020" O.D.	As Req.
4	37306	D0RY-6262-A	(000000-)	Bearing, Camshaft Rear, Std. ID – Std. O.D.	1
4	38242	D0RY-6262-B	(000000-)	Bearing, Camshaft Rear, Std. ID + 0.020" O.D.	As Req.
5		D0RY-6253-A	(000000-)	Dowel, Cam Sprocket to Camshaft	1
6		D0RY-6269-A	(000000-)	Plate, Camshaft Thrust	1
7		D0RY-6255-A	(000000-)	Retainer, Camshaft Thrust Plate	1
8		E602166-S72	(000000-)	Bolt, M6 x 16, Thrust Plate to Block	2
9		77BM-6256-AA	(000000-)	Sprocket, Camshaft	1
10		D0RY-6258-A	(000000-)	Retainer, Camshaft Sprocket	1
11		E602351-S72	(000000-)	Bolt, M8 x 16, Sprocket to Camshaft	2
12	37307	D0RY-6268-A	(000000-)	Chain, Timing	1
13	37337	D1FZ-6284-A	(000000-)	Tensioner, Timing Chain	1
14		E600116-S72	(000000-)	Bolt, M6 x 55, Tensioner to Block	1
15		E602166-S72	(000000-)	Bolt, M6 x 16 – Tensioner to Block	1
16		34805-S8	(000000-)	Washer, Lock, B6, Tensioner Bolts	2
17		77BM-6K255-AB	(000000-)	Arm, Tensioner	1
18	37694	D1FZ-6286-A	(000000-)	Pin, Tensioner Arm	1
19		D1FZ-6500-A	(000000-)	Tappet Assembly, Std.	8
19		711F-6500-DA	(000000-)	Tappet Assembly, 0.004" O/S	As Req.
20		77BM-6565-BA	(000000-)	Rod, Valve Push	8
21		77BM-6529-AB	(000000-)	Arm, Valve Rocker, Right, with Screw	4
		77BM-6K528-AB	(000000-)	Arm, Valve Rocker, Left, with Screw	4
22	37693	D0RY-6549-B	(000000-)	Screw, Adjusting, Self-Locking	8
23		77BM-6531-BB	(000000-)	Support, Rocker Arm Shaft	4
24		E630031-S101	(000000-)	Washer, B10 x 20 x 2.5	4
25		E600314-S72	(000000-)	Bolt, Rocker Support, M10 x 45	4
26		D0RY-6587-A	(000000-)	Spring, Locating	3
27		77BM-6A557-BB	(000000-)	Shaft Assembly, Rocker Arm	1
28		D1FZ-6026-E	(000000-)	Plug, Rocker Arm Shaft	2
29		77BM-6598-AB	(000000-)	Washer, Spring	2
30		116106-ES10	(000000-)	Washer, Flat	2
31		72025-S7	(000000-)	Pin, Cotter	2

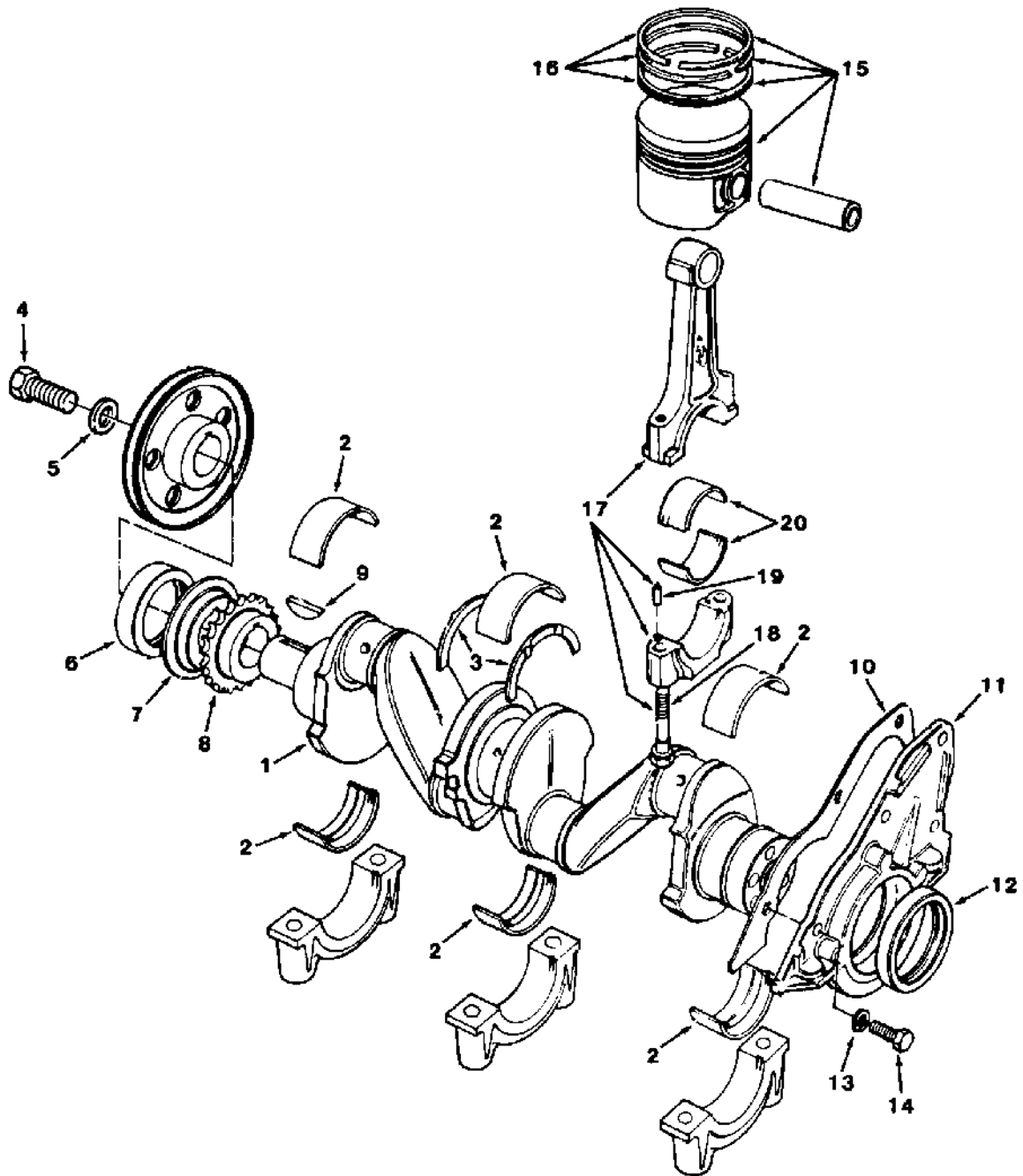


Fig. 4 – Crankshaft and Piston Group

Fig. 4 – Crankshaft and Piston Group

Key	TENNANT® Part No.	Ford Part Number	Engine Serial Number	Description	Qty.
1		77BM-6303-DA	(000000-)	Crankshaft Assembly	1
2		77BM-6333-BAA	(000000-)	Main Bearing, Crankshaft, Std. O/D Std. ID	6
2		77BM-6333-BJA	(000000-)	Main Bearing, Crankshaft, Std. O/D 0.005" U/S ID	As Req.
2		77BM-6333-BBA	(000000-)	Main Bearing, Crankshaft, Std. O/D 0.010" U/S ID	As Req.
2		77BM-6333-BDA	(000000-)	Main Bearing, Crankshaft, Std. O/D 0.020" U/S ID	As Req.
2		77BM-6333-BEA	(000000-)	Main Bearing, Crankshaft, Std. O/D 0.030" U/S ID	As Req.
2		77BM-6333-BCA	(000000-)	Main Bearing, Crankshaft, 0.15" O/S O/D Std. ID	As Req.
2		77BM-6333-BFA	(000000-)	Main Bearing, Crankshaft, 0.015" O/S O/D 0.010" U/S ID	As Req.
2		77BM-6333-BGA	(000000-)	Main Bearing, Crankshaft, 0.015" O/S O/D 0.020" U/S ID	As Req.
2		77BM-6333-BHA	(000000-)	Main Bearing, Crankshaft, 0.015" U/S O/D 0.030" U/S ID	As Req.
3		77BM-6A341-AA	(000000-)	Washer, Main Bearing Thrust Std.	2
		77BM-6A341-BA	(000000-)	Washer, Main Bearing Thrust 0.015" O/S	As Req.
4	07706	E800334-S76	(000000-)	Bolt, Pulley to Crankshaft, M12 x 35	1
5	07707	E830135-S76	(000000-)	Washer, Pulley to Crankshaft, B12	1
6		83BM-6700-A4A	(000000-)	Seal, Timing Cover	1
7		D8RZ-6310-A	(000000-)	Slinger, Oil	1
8	37321	D0RY-6306-A	(000000-)	Sprocket, Crankshaft	1
9	37312	D0RY-6B316-A	(000000-)	Key, Woodruff	1
10		77BM-6344-AA	(000000-)	Gasket, Rear Oil Seal Retainer	1
11		77BM-6K318-AC	(000000-)	Retainer Assembly, Rear	1
12		83BM-6701-A3A	(000000-)	Seal, Rear	1
13		E630173-S71M	(000000-)	Washer, Lock, B8	4
14		E602187-S82	(000000-)	Bolt, M8 x 20	4
15		84BM-6102-GA	(000000-)	Piston, Pin And Ring Assembly, Std.	4
15		84BM-6102-HA	(000000-)	Piston, Pin And Ring Assembly 0.020" O/S	As Req.
15		84BM-6102-JA	(000000-)	Piston, Pin And Ring Assembly 0.040" O/S	As Req.
16		84BM-6148-DA	(000000-)	Ring Set, Piston, Std.	4
16		84BM-6148-EA	(000000-)	Ring Set, Piston, 0.020" O/S	As Req.
16		84BM-6148-FA	(000000-)	Ring Set, Piston, 0.040" O/S	As Req.
17		77BM-6200-BB	(000000-)	Rod Assembly, Connecting	4
18		77BM-6214-AA	(000000-)	Bolt, Connecting Rod	8
19		116336-ES100	(000000-)	Dowel Pin, Connecting Rod	8
20		81SM-6211-AA	(000000-)	Bearing, Connecting Rod, Std.	8
20		81SM-6211-FA	(000000-)	Bearing, Connecting Rod, 0.001" U/S	As Req.
20		81SM-6211-BA	(000000-)	Bearing, Connecting Rod, 0.010" U/S	As Req.
20		81SM-6211-CA	(000000-)	Bearing, Connecting Rod, 0.020" U/S	As Req.
20		81SM-6211-DA	(000000-)	Bearing, Connecting Rod, 0.030" U/S	As Req.
20		81SM-6211-EA	(000000-)	Bearing, Connecting Rod, 0.040" U/S	As Req.

NOTE: To identify parts shown but not listed here, see Section 5, Low Dump Model Parts.

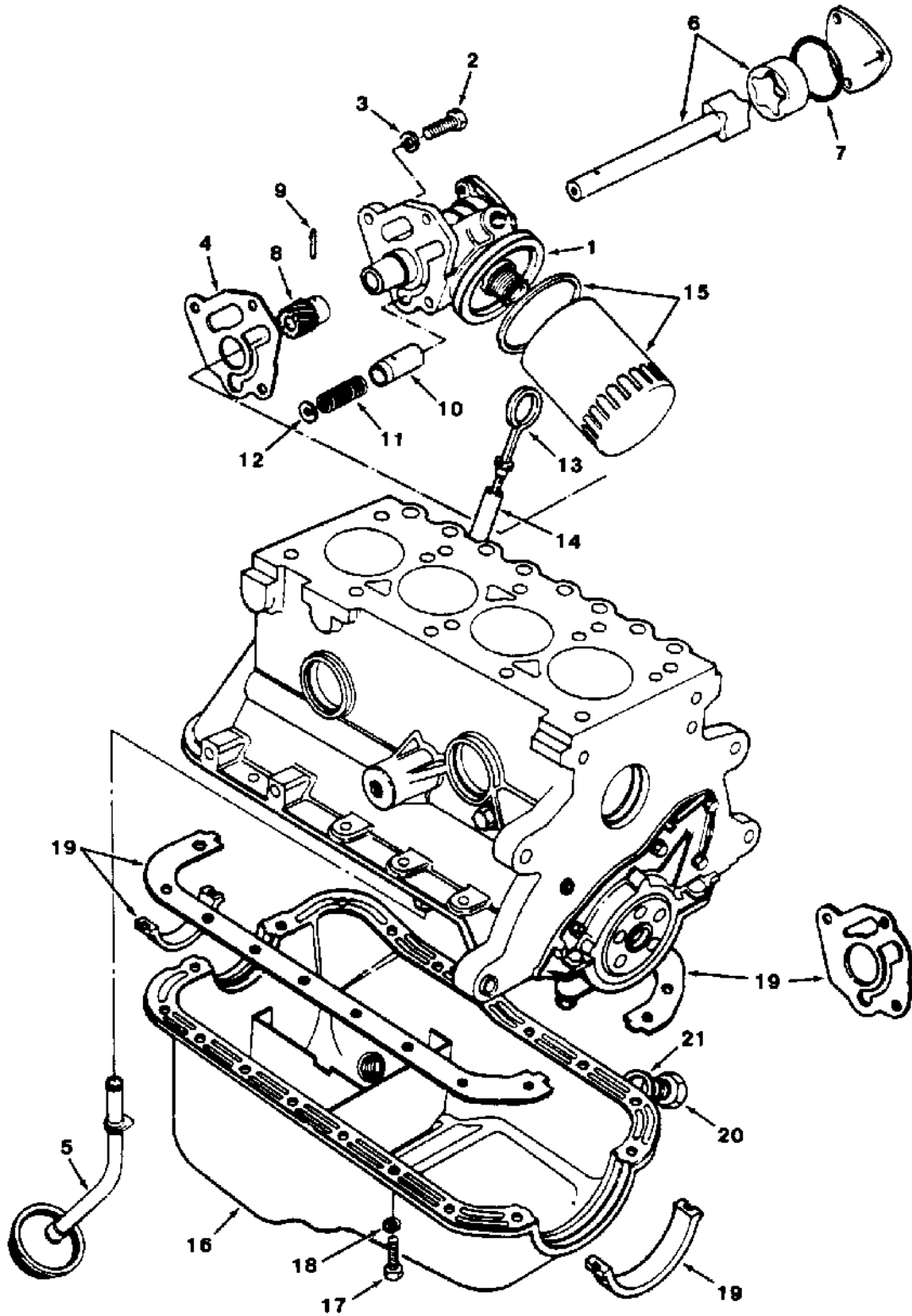


Fig. 5 – Oil Pump and Oil Pan Group

Fig. 5 – Oil Pump and Oil Pan Group

Key	TENNANT® Part No.	Ford Part Number	Engine Serial Number	Description	Qty.
1	07710	D8RZ-6600-A	(000000-)	Pump, Oil	1
2		E602188-S72	(000000-)	Bolt, M8 x 25	3
3		E630173-S71M	(000000-)	Washer, B8 Lock	3
4	37341	D1FZ-6659-A	(000000-)	Gasket, Oil Pump to Block	1
5		77BM-6617-AD	(000000-)	Tube Assembly, Oil Pickup	1
6		D1FZ-6608-B	(000000-)	Rotor And Shaft	1
7	37403	116682-ES	(000000-)	Seal, Cover Plate	1
8		D0RY-6652-A	(000000-)	Gear, Oil Pump Drive	1
9		72432-S	(000000-)	Pin, Drive Gear	1
10		D0RY-6674-A	(000000-)	Plunger, Oil Pump Relief Valve	1
11		D0RY-6670-A	(000000-)	Spring, Oil Pump Relief Valve	1
12		D0RY-6666-A	(000000-)	Plug, Oil Pump Relief Valve	1
13	10790	D8RZ-6750-A	(000000-)	Indicator, Oil Level	1
14	10791	77BM-6784-AC	(000000-)	Tube, Oil Level Indicator	1
15	58122	FL-271	(000000-)	Oil Filter	1
16		77BM-6675-AC	(000000-)	Oil Pan	1
17		E602165-S72	(000000-)	Bolt, Oil Pan, M6 x 14	18
18		34805-S8	(000000-)	Washer, 0.25" Lock	18
19	07711	A76SX-6013-AA	(000000-)	Gasket Kit, Oil Pan	1
20		E0FZ-6730-B	(000000-)	Plug, Oil Drain	1
21		E0FZ-6734-A	(000000-)	Gasket, Oil Drain Plug	1

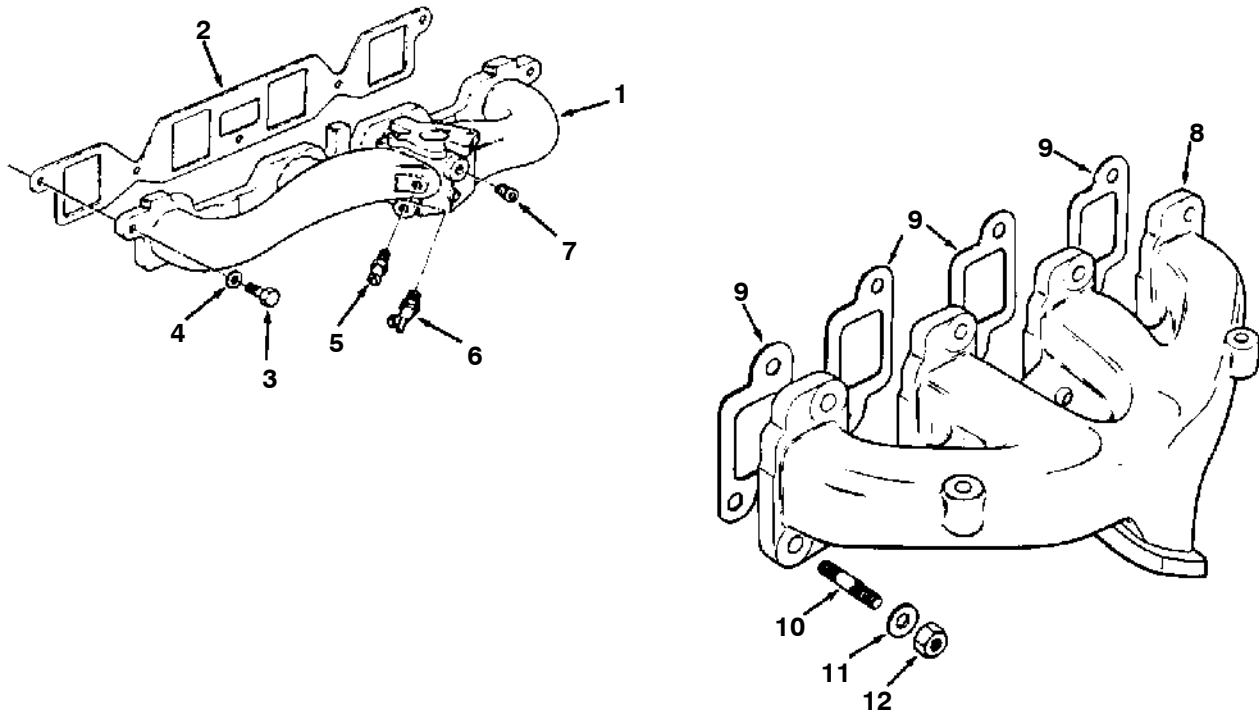


Fig. 6 – Intake and Exhaust Manifold Group

03527

Key	TENNANT® Part No.	Ford Part Number	Engine Serial Number	Description	Qty.
1		79BF-9425-BC	(000000-)	Manifold, Intake	1
2	07714	77BM-9441-DA	(000000-)	Gasket, Intake Manifold	1
3		E602188-S72	(000000-)	Bolt, Intake Manifold to Cylinder Head	5
4		E630173-S71	(000000-)	Washer, Lock, Intake Manifold to Cylinder Head	5
5		377665-S7-8	(000000-)	Adapter, 0.38" - 18	1
6		72EG-2A411-BA	(000000-)	Connector, 0.25" - 18	1
7		87837-S	(000000-)	Plug, 0.25" - 18	As Req.
8		84BF-9430-BA	(000000-)	Manifold, Exhaust	1
9	07708	77BM-9448-EA	(000000-)	Gasket, Exhaust Manifold	4
10		E804627-S76	(000000-)	Stud, Exhaust Manifold to Cylinder Head	8
11	38034	120907-ES8	(000000-)	Washer, Manifold to Cylinder Head	8
12		E620433-S72	(000000-)	Nut, Manifold to Cylinder Head	8

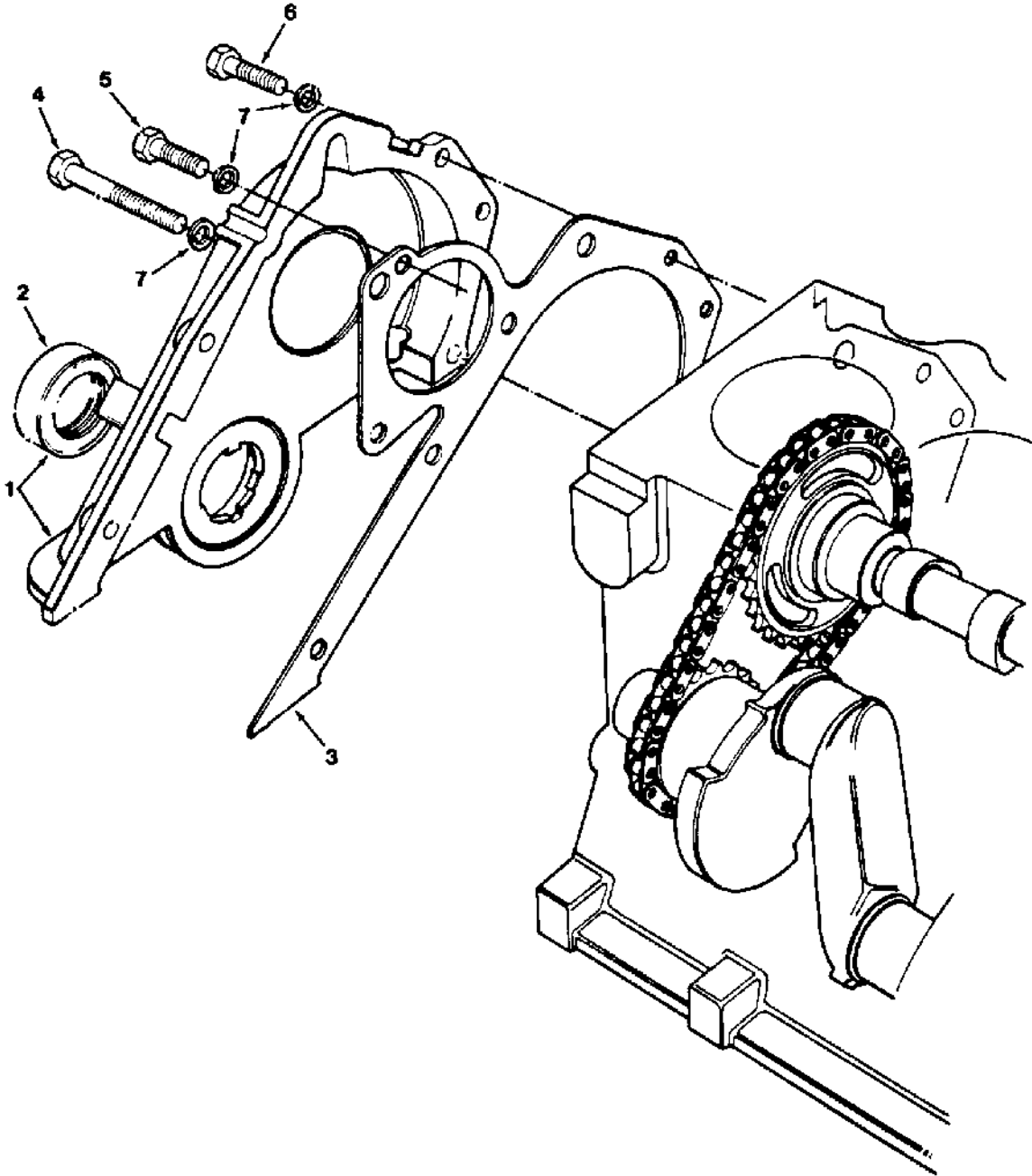


Fig. 7 – Front Cover Group

03526

Key	TENNANT® Part No.	Ford Part Number	Engine Serial Number	Description	Qty.
1		77BM-6059-AE	(000000-)	Cover and Seal Assembly, Cylinder Front	1
2		83BM-6700-A4A	(000000-)	Seal, Front Cover	1
3		D8RZ-6020-A	(000000-)	Gasket, Cylinder Front Cover	1
4		E600115-S72	(000000-)	Bolt, M6 x 50, Front Cover to Block	1
5		E600113-S72	(000000-)	Bolt, M6 x 40, Front Cover and Water Pump to Block	3
6		E602167-S71	(000000-)	Bolt, M6 x 20, Front Cover to Block	4
7		E630152-S71	(000000-)	Washer, Lock, B6	8

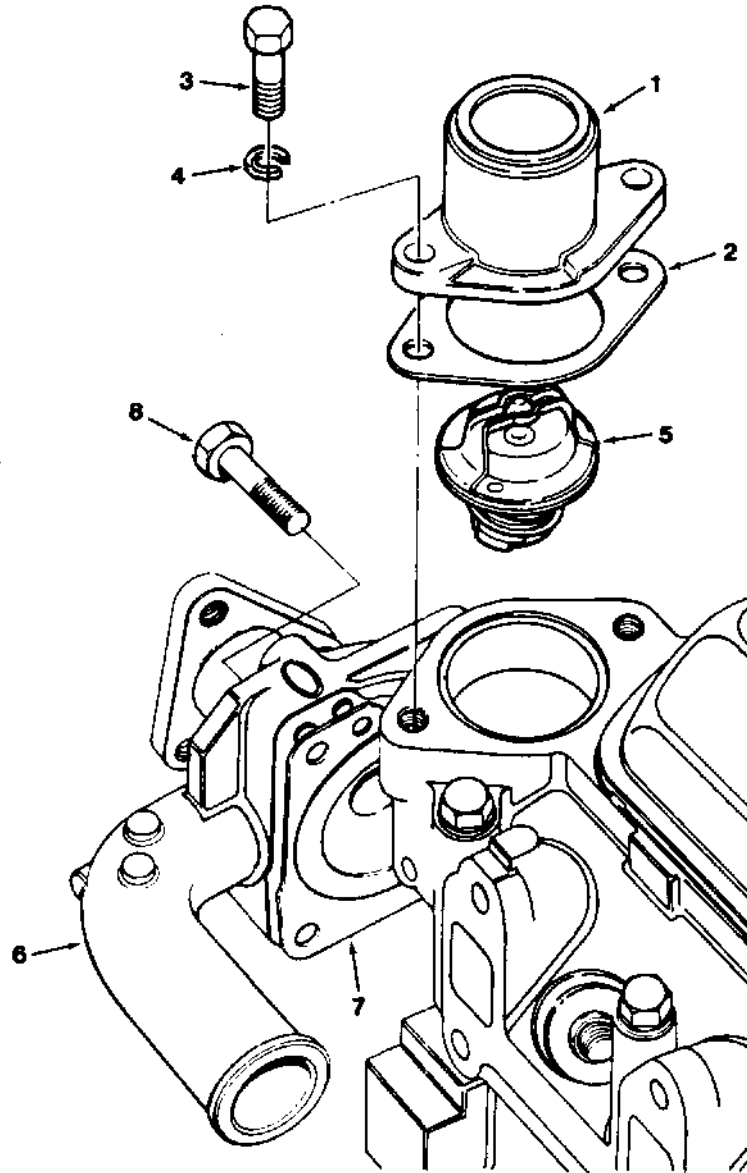


Fig. 8 – Water Pump Group

Fig. 8 – Water Pump Group

Key	TENNANT® Part No.	Ford Part Number	Engine Serial Number	Description	Qty.
1	57548	771F-8250-BA	(000000-)	Connection, Water Outlet	1
2	54911-25	D1FZ-8255-B	(000000-)	Gasket, Water Outlet Connection	1
3		E602187-S82	(000000-)	Bolt, Water Outlet Connection to Cylinder Head, M8 x 20	2
4		E630173-S71M	(000000-)	Washer, Lock, Water Outlet Connection Bolt, B8	2
5	10403	C5TE-8575-B	(000000-)	Thermostat, 160°	1
5	37327	RT-351	(000000-)	Thermostat, 180°	1
6	07712	D8RZ-8501-A	(000000-)	Water Pump	1
7	07713	D8RZ-8507-A	(000000-)	Gasket, Water Pump	1
8		E600113-S72	(000000-)	Bolt, Water Pump to Block	3

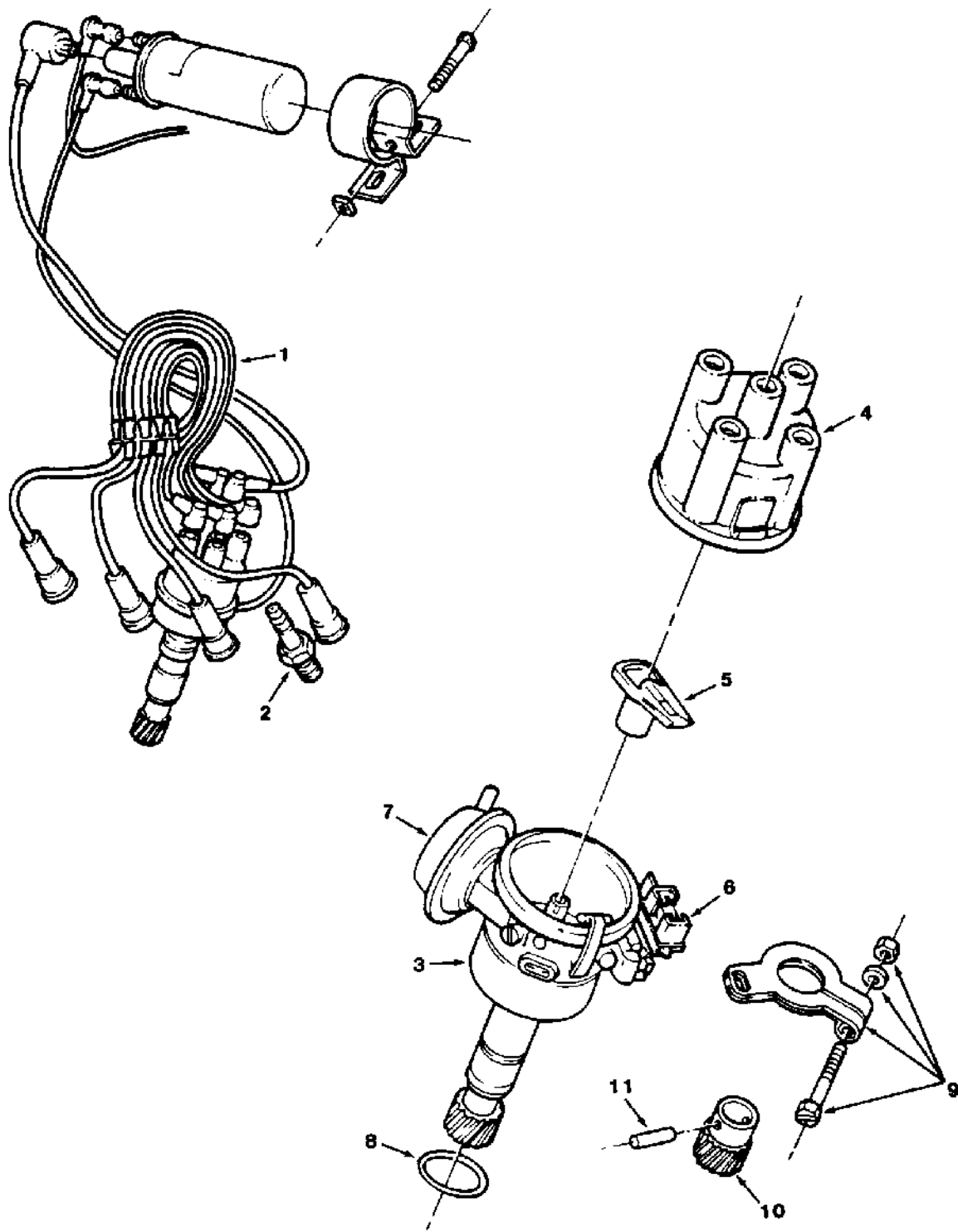


Fig. 9 - Distributor Group

Fig. 9 – Distributor Group

Key	TENNANT® Part No.	Ford Part Number	Engine Serial Number	Description	Qty.
1	10802	86BF-12286-AB	(000000-)	Wire, Spark Plug No.1	1
1	10803	86BF-12283-AB	(000000-)	Wire, Spark Plug No.2	1
1	10804	86BF-12284-AB	(000000-)	Wire, Spark Plug No.3	1
1	10805	86BF-12287-AB	(000000-)	Wire, Spark Plug No.4	1
2	07764	AGRF-22	(000000-)	Spark Plug	4
3	07769	86BF-12100-BA	(000000-)	Distributor, Complete	1
4	58507	72HF-12106-AA	(000000-)	Cap, Distributor	1
5	82697		(000000-)	Rotor	1
6		86BF-12K062-AA	(000000-)	Module, Ignition	1
7		86BF-12370-AA	(000000-)	Diaphragm, Vacuum Advance	1
8		D1RY-12143-A	(000000-)	Seal	1
9		77BF-12273-AA	(000000-)	Clamp Assembly	1
10		C6AH-12390-B	(000000-)	Gear	1
11		67555-S	(000000-)	Pin	1

NOTE: To identify parts shown but not listed here, see Section 5, Low Dump Model Parts.

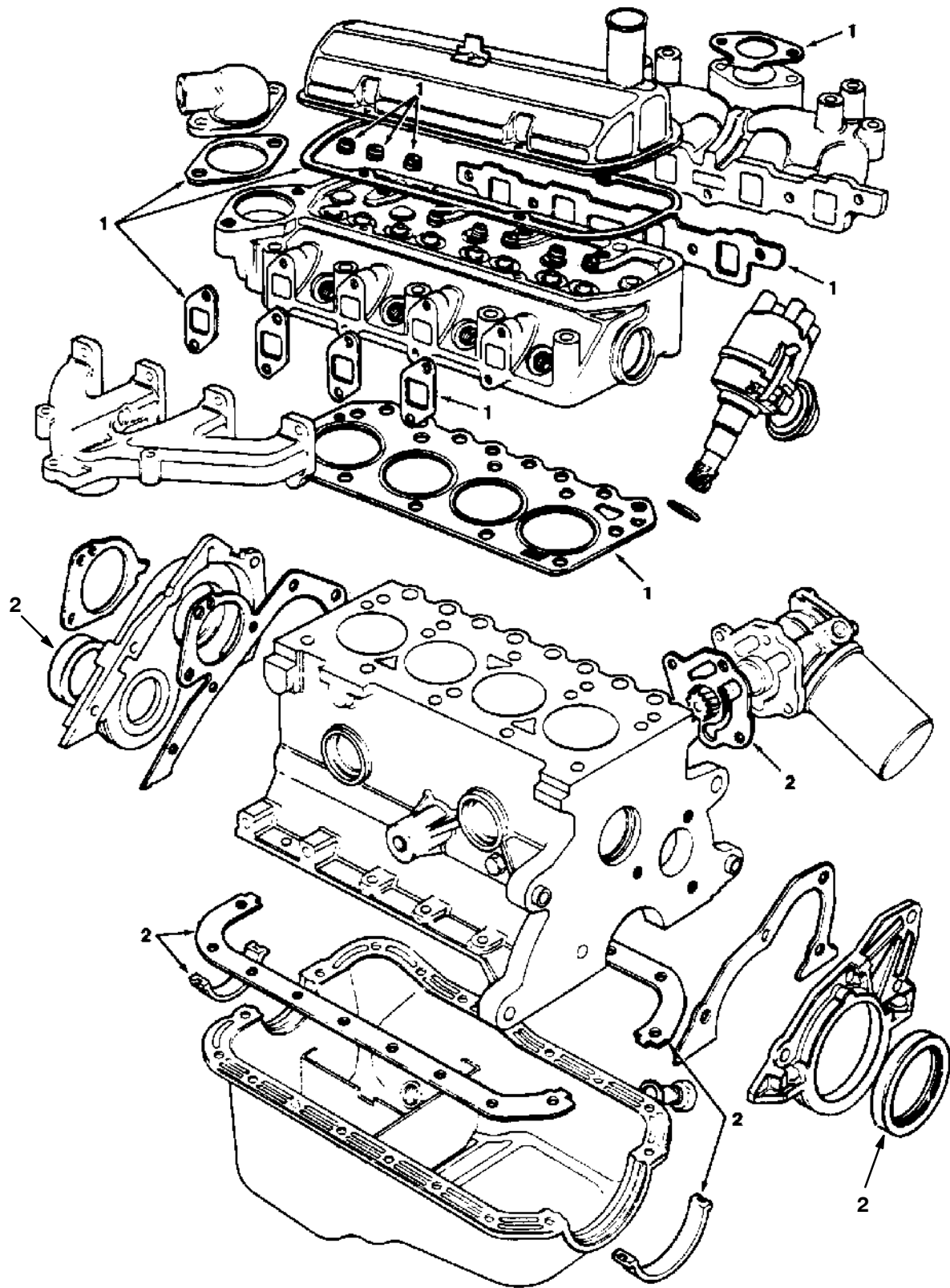


Fig. 10 – Gaskets Group

Fig. 10 – Gaskets Group

Key	TENNANT® Part No.	Ford Part Number	Engine Serial Number	Description	Qty.
1	07703	A83SX-6014-CA	(000000-)	Gasket Kit, Upper	1
2		A76SX-6013-AA	(000000-)	Gasket Kit, Lower	1

NOTE: To identify parts shown but not listed here, see Section 5, Low Dump Model Parts.

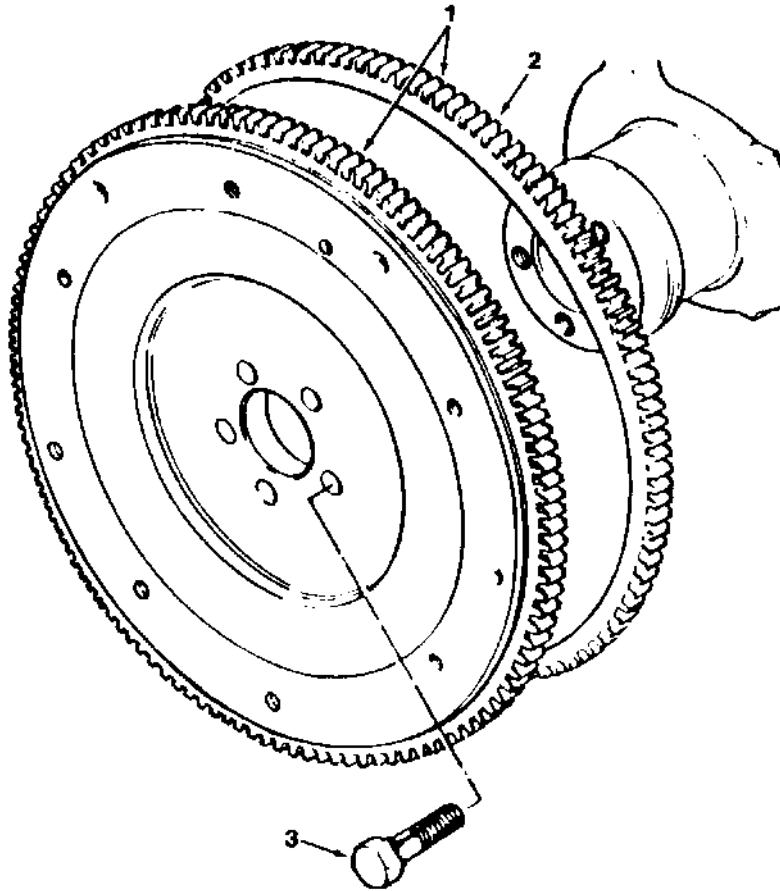


Fig. 11 – Flywheel Group

03533

Key	TENNANT® Part No.	Ford Part Number	Engine Serial Number	Description	Qty.
1	07709	77BM-6375-CA	(000000-)	Flywheel And Ring Gear Assembly	1
2		D8RZ-6384-A	(000000-)	Ring Gear, Flywheel	1
3		388156-GS	(000000-)	Bolt, Flywheel to Crankshaft, M10 x 22.5	5

SECTION 10

CONTENTS

	Page
ORDERING REPAIR PARTS	10-3
Fig. 1 – Cylinder Head, Valves Group	10-4
Fig. 2 – Cylinder Block Group	10-6
Fig. 3 – Camshaft and Valve Control Group .	10-8
Fig. 4 – Crankshaft and Piston Group	10-10
Fig. 5 – Oil Pump and Oil Pan Group	10-12
Fig. 6 – Intake Manifold Group	10-14
Fig. 7 – Front Cover Assembly Group	10-15
Fig. 8 – Water Pump Group	10-16
Fig. 9 – Distributorless Ignition Group	10-17
Fig. 10 – Gaskets Group	10-18
Fig. 11 – Flywheel Group	10-19

NOTE: SECTION 10, ENGINE PARTS, DIS, GASOLINE, LPG, lists repair parts for Distributorless (DIS) Gasoline and LPG Engines, TENNANT Part No. 30297, for machines with serial number 038000 and above.

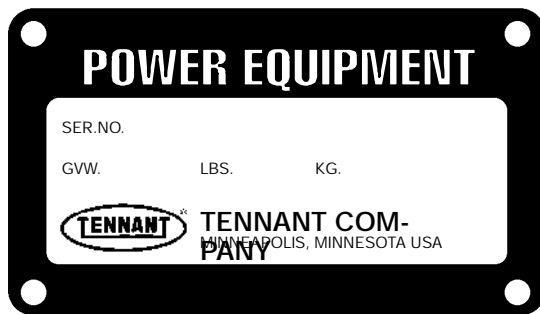
ORDERING REPAIR PARTS

The components used in this machine have been carefully selected for performance and safety. Use only Tennant Company specified or equivalent parts.

To receive prompt service in filling of your parts orders, please direct all orders for parts with Tennant Company part numbers to the Tennant Company, and all orders for parts with vendor part numbers to the local supplier of the respective vendor.

When ordering parts, please furnish all of the following information:

1. Machine model number - shown on the machine data plate.



2. Machine serial number - shown on the machine data plate.
3. Power source - gasoline, LPG, diesel, electric.
4. Company name.
5. Shipping address.
6. Billing address.
7. Name, first and last - of person ordering parts.
8. Telephone number.
9. Purchase order number.
10. Part number, description, and quantity - of each item on the order.
11. Customer ID Number.

Do not order parts by key number or the figure number of the illustrated parts. Indented items indicate parts of assemblies. Standard hardware is furnished only when part of a purchased assembly. Please get hardware from a local hardware supplier.

If the old part cannot be identified, send it to us with the quantity needed specified on the order.

Any claim for loss or damage to a shipment in transit should be filed promptly against the transportation company making the delivery. Shipments will be complete unless the packing list or order acknowledgement indicate items back ordered.

If parts received are suspected to be incorrect or defective, please write, wire, or phone the Tennant Company representative from whom you ordered the part. They will give authorization for return and/or handle replacement shipments when required.

SERIAL NUMBER INFORMATION EXPLANATION

Serial number listings are shown to indicate on which machines each part can be used. These listings are explained by the following examples:

(000000–) The part can be used on all machines.

(003342–) The part can be used on all machines beginning with the serial number listed.

(000000–004320) The part can be used on all machines up to and including serial number listed.

(004321–005678) The part can be used on all machines between and including the serial numbers listed.

Where xxxxxx's are listed in place of a serial number, it indicates a change was made but the exact serial number had not been established when the catalog went to press.

SI UNITS OF MEASURE (INTERNATIONAL SYSTEM)

Metric equivalents have been included, where applicable, throughout this parts catalog.

FASTENER STRENGTH IDENTIFICATION

Fasteners required to have high–strength qualities equivalent to SAE Grade 8 are identified throughout this catalog by the description GR 8. Unless identified by this description, all standard fasteners are SAE Grade 5.

(Specifications and design subject to change without notice.)

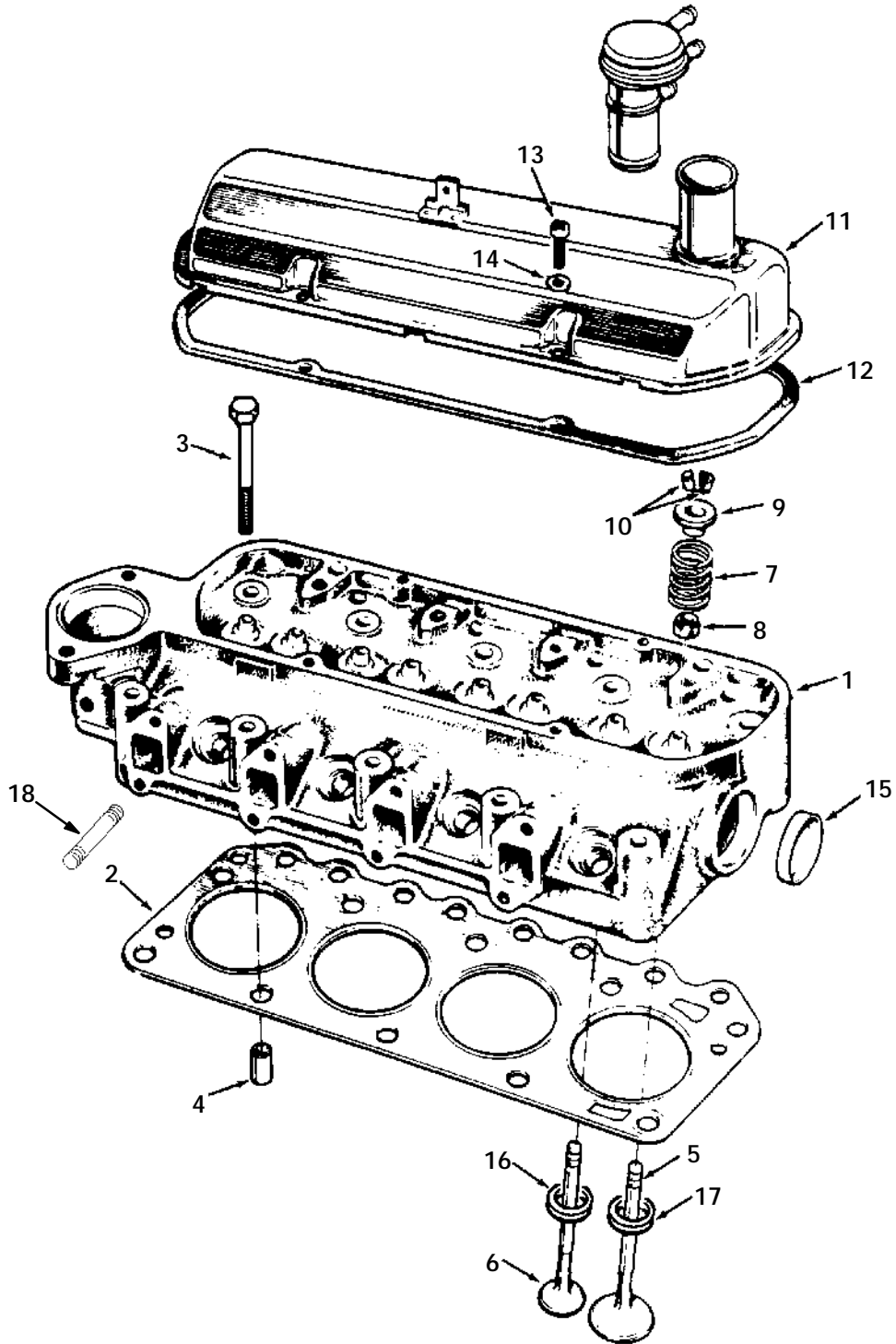


Fig. 1 -- Cylinder Head, Valves Group

NOTE: To identify parts shown but not listed here, see SECTION 5, STANDARD MODEL PARTS.

Fig. 1 -- Cylinder Head, Valves Group

Key	TENNANT® Part No.	Ford Part Number	Engine Serial Number	Description	Qty.
1	41980	89BM-6049-HB	(000000-)	Head Assembly, Cylinder	1
2	41981	89BM-6051-B2C	(000000-)	Gasket, Cylinder Head	1
3	36297	89BM-6065-DA	(000000-)	Bolt, Cylinder Head	10
4	36298	E840126-S	(000000-)	Dowel, Cylinder Head to Block	2
5	41982	89BM-6507-AA	(000000-)	Valve, Intake, Std	4
5	41983	89BM-6507-AC	(000000-)	Valve, Intake, 0.40 mm O/S	As Req.
6	36306	89BM-6505-BC	(000000-)	Valve, Exhaust, 0.40 mm O/S	As Req.
6	36307	89BM-6505-CA	(000000-)	Valve, Exhaust, Std	4
7	36315	89BM-6513-AA	(000000-)	Spring, Valve	8
8	36317	D1FZ-6571-B	(000000-)	Seal, Valve Stem	8
9	36318	89BM-6A536-AA	(000000-)	Retainer	8
10	36319	88WM-6518-AA	(000000-)	Lock, Valve Spring	16
11	36321	89BM-6582-AA	(000000-)	Cover, Rocker Arm	1
12	07705	77BM-6584-CA	(000000-)	Gasket, Rocker Arm Cover	1
13	36324	E800516-S72	(000000-)	Screw, Rocker Cover to Head	4
14	36325	118297-ES8	(000000-)	Washer, Flat, 6 mm,	4
15	36265	D8RZ-6026-B	(000000-)	Plug	1
16	36330	89BM-6057-A2E	(000000-)	Insert, Exhaust Valve Seat	4
17	41984	89BM-6056-A1F	(000000-)	Insert, Intake Valve Seat	4
18	30327		(000000-)	Stud	8

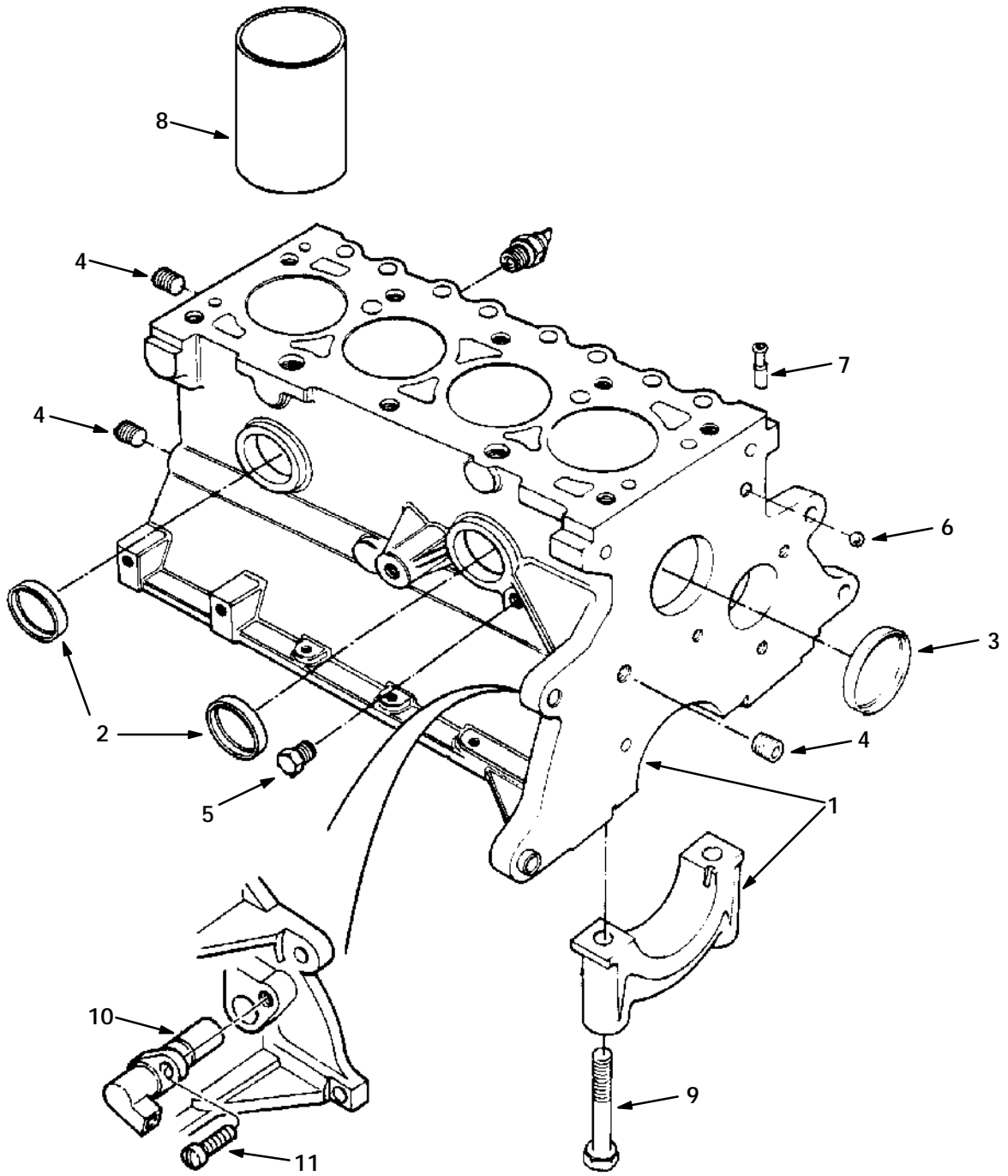


Fig. 2 -- Cylinder Block Group

NOTE: To identify parts shown but not listed here, see SECTION 5, STANDARD MODEL PARTS.

Fig. 2 -- Cylinder Block Group

Key	TENNANT® Part No.	Ford Part Number	Engine Serial Number	Description	Qty.
1	41985	89BM-6011-BA	(000000-)	Block, Cylinder, With Crank, Pistons, Rings, etc.	1
	41986	89BM-6010-EA	(000000-)	Block, Cylinder	1
2	36265	D8RZ-6026-B	(000000-)	Plug	2
3	36267	D8RZ-6026-A	(000000-)	Plug	1
4	36268	87837-S	(000000-)	Plug, 1/4 NPT	3
5	36272	353055-S7	(000000-)	Plug, 1/4 NPT	1
6	36273	E890100-S	(000000-)	Plug, Ball, Oil Gallery	1
7	36274	D8RZ-6767-A	(000000-)	Adapter	1
8	41987	89BM-6055-AA	(000000-)	Liner, Cylinder	As Req.
9	36276	D1FZ-6345-A	(000000-)	Bolt, Main Bearing Cap	10
10	36277	89BF-6C315-AA	(000000-)	Transducer	1
11	36278	E802666-S72	(000000-)	Screw, M6 x 14	1

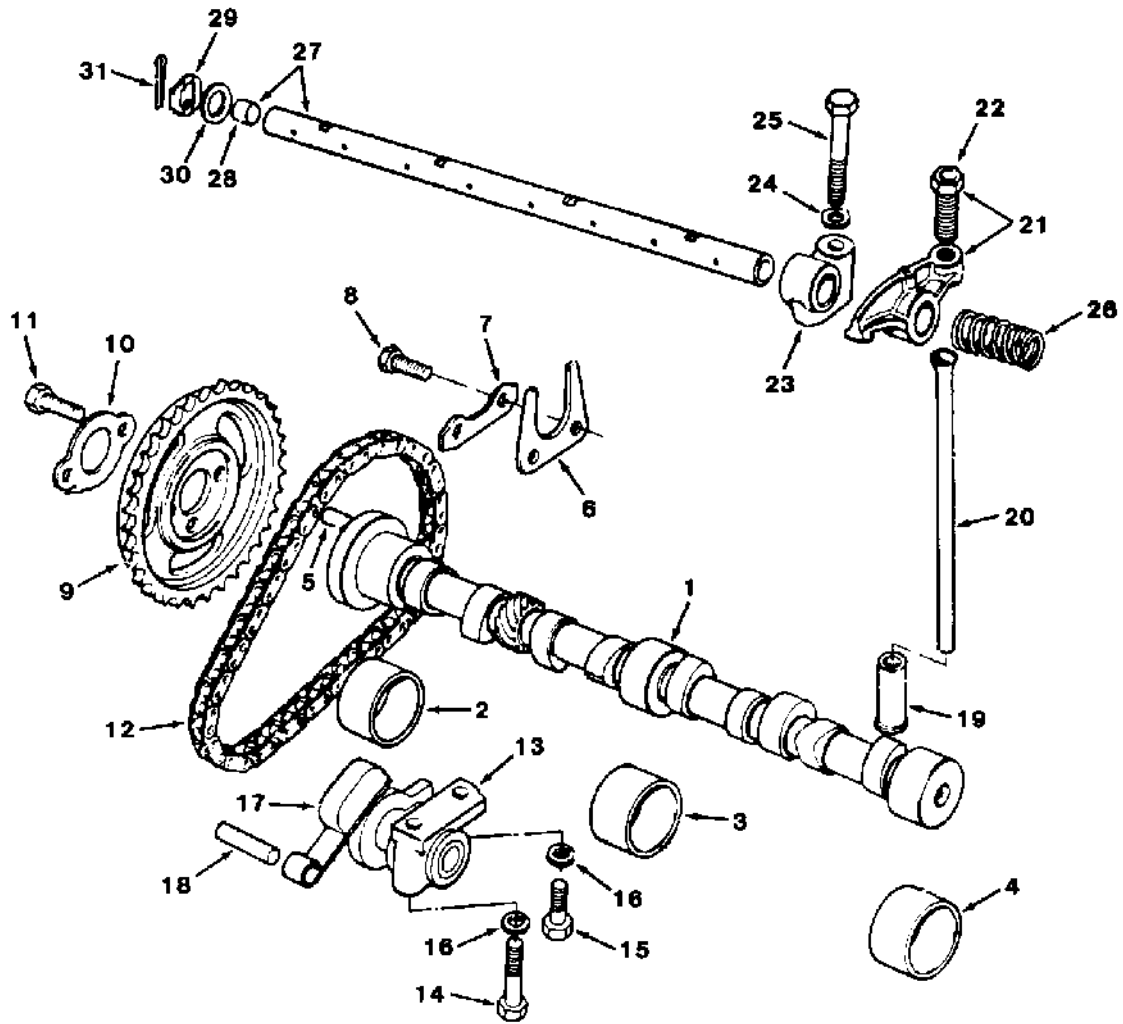


Fig. 3 -- Camshaft and Valve Control Group

Fig. 3 -- Camshaft and Valve Control Group

Key	TENNANT® Part No.	Ford Part Number	Engine Serial Number	Description	Qty.
1	41988	89BM-6251-AA	(000000-)	Camshaft	1
2	37316	DORY-6261-A	(000000-)	Bearing, Std ID - Std OD	1
2	37317	DORY-6261-B	(000000-)	Bearing, Std ID + 0.020 OD	As Req.
3	37306	DORY-6262-A	(000000-)	Bearing, Std ID - Std OD	1
3	38242	DORY-6262-B	(000000-)	Bearing, Std ID + 0.020 OD	As Req.
4	37306	DORY-6262-A	(000000-)	Bearing, Std ID - Std OD	1
4	38242	DORY-6262-B	(000000-)	Bearing, Std ID + 0.020 OD	As Req.
5	36341	DORY-6253-A	(000000-)	Dowel	1
6	36342	DORY-6269-A	(000000-)	Plate, Thrust	1
7	36343	DORY-6255-A	(000000-)	Retainer	1
8	36344	E602166-S72	(000000-)	Bolt, M6 x 16, Tensioner to Block	2
9	36345	77BM-6256-AA	(000000-)	Sprocket, Camshaft	1
10	36348	DORY-6258-A	(000000-)	Retainer	1
11	36349	E602351-S72	(000000-)	Bolt, M8 x 16	2
12	37307	DORY-6268-A	(000000-)	Chain	1
13	37337	D1FZ-6284-A	(000000-)	Tensioner	1
14	36372	E600116-S72	(000000-)	Bolt, M6 x 55, Tensioner to Block	1
15	36344	E602166-S72	(000000-)	Bolt, M6 x 16, Tensioner to Block	1
16	36373	34805-S8	(000000-)	Washer, 1/4 Lock	2
17	36374	77BM-6K255-AB	(000000-)	Arm, Tensioner	1
18	37694	D1FZ-6286-A	(000000-)	Pin	1
19	36375	89BM-6500-AA	(000000-)	Tappet, Std	8
20	36381	89BM-6565-AA	(000000-)	Rod, Valve Push	8
21	36382	89BM-6529-AB	(000000-)	Arm, Valve Rocker, Right, With Screw	4
21	36383	89BM-6K528-AB	(000000-)	Arm, Valve Rocker, Left, With Screw	4
22	37693	DORY-6549-B	(000000-)	Screw	8
23	36384	77BM-6531-BB	(000000-)	Support, Rocker Arm Shaft	4
24	36389	E630031-S101	(000000-)	Washer, B10 x 20 x 2.5	4
25	36390	E800509-S72	(000000-)	Bolt, Rocker Support	4
26	36402	DORY-6587-A	(000000-)	Spring, Locating	3
27	36405	77BM-6A557-BB	(000000-)	Shaft Assembly, Rocker Arm	1
28	36406	D1FZ-6026-E	(000000-)	Plug, Rocker Arm Shaft, 11 mm	2
29	36407	77BM-6598-AB	(000000-)	Washer, Spring	2
30	36408	116106-ES10	(000000-)	Washer, Flat	2
31	36409	72025-S7	(000000-)	Pin, Cotter, 2.3 mm	2

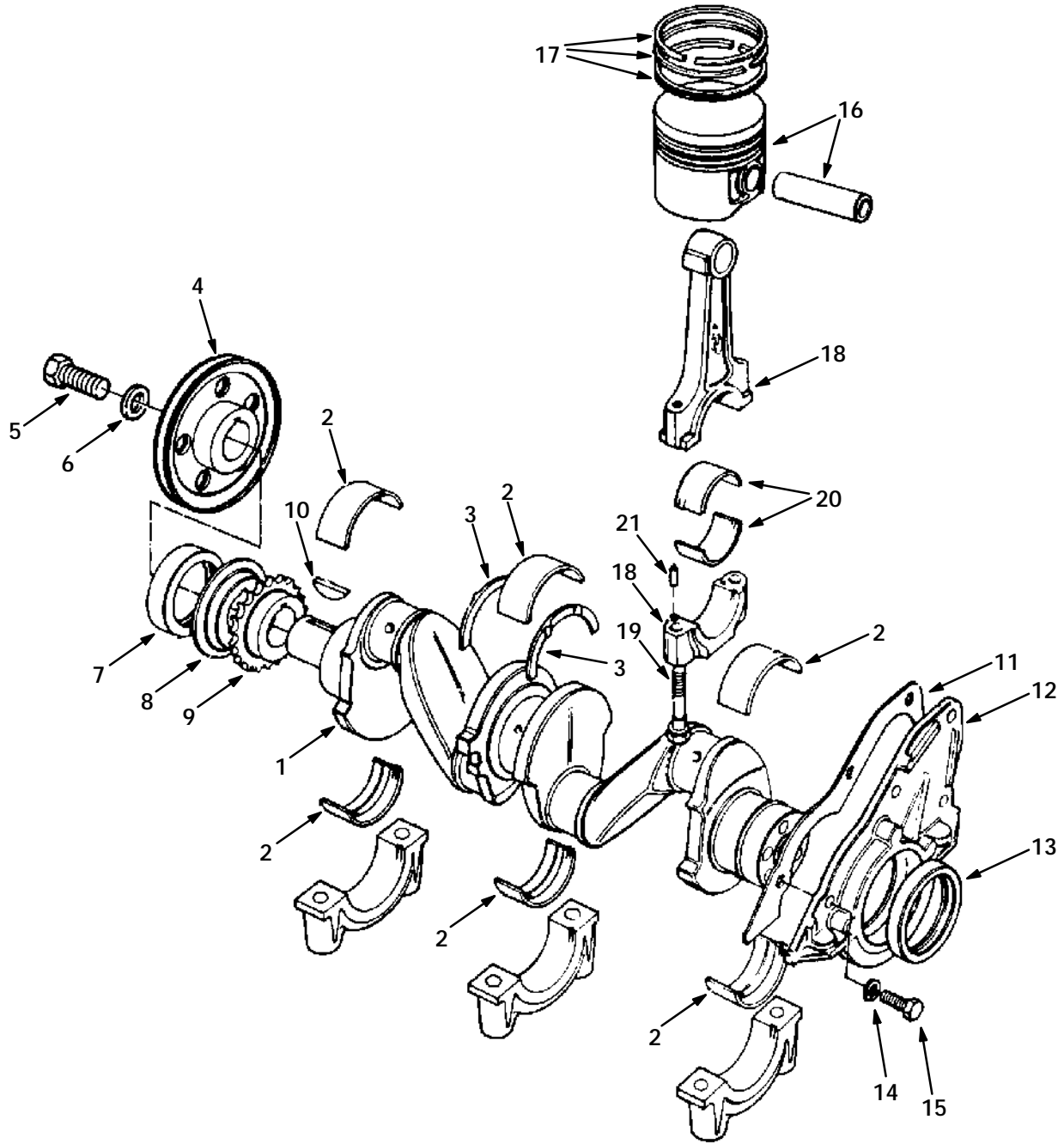


Fig. 4 -- Crankshaft and Piston Group

Fig. 4 -- Crankshaft and Piston Group

Key	TENNANT® Part No.	Ford Part Number	Engine Serial Number	Description	Qty.
1	41989	89BM-6303-CA	(000000-)	Crankshaft Assembly	1
2	36410	89BM-6333-AA	(000000-)	Main Bearing, Crankshaft, Std OD, Std ID	5
2	36411	89BM-6333-BA	(000000-)	Main Bearing, Crankshaft, Std OD, 0.005 US ID	As Req.
2	36412	89BM-6333-CA	(000000-)	Main Bearing, Crankshaft, Std OD, 0.010 US ID	As Req.
2	36413	89BM-6333-DA	(000000-)	Main Bearing, Crankshaft, 0.015 OS OD, Std ID	As Req.
2	36414	89BM-6333-EA	(000000-)	Main Bearing, Crankshaft, Std OD, 0.020 US ID	As Req.
2	36415	89BM-6333-FA	(000000-)	Main Bearing, Crankshaft, Std OD, 0.030 US ID	As Req.
2	36416	89BM-6333-GA	(000000-)	Main Bearing, Crankshaft, 0.015 OS OD, 0.010 US ID	As Req.
2	36418	89BM-6333-HA	(000000-)	Main Bearing, Crankshaft, 0.015 OS OD, 0.020 US ID	As Req.
3	36419	89BM-6A341-AA	(000000-)	Washer, Main Bearing Thrust, Std	2
3	36421	89BM-6A341-BA	(000000-)	Washer, Main Bearing Thrust, 0.015 OS	As Req.
4	36422	89BM-6312-AA	(000000-)	Pulley, Crankshaft, 1 Groove	1
5	36423	89BM-6K340-AA	(000000-)	Bolt, Pulley to Crankshaft, M12 x 32	1
6	07707	E830135-S76	(000000-)	Washer, Pulley to Crankshaft, B12	1
7	36257	83BM-6700-A4A	(000000-)	Seal, Front Cover	1
8	36424	D8RZ-6310-A	(000000-)	Slinger, Oil	1
9	37321	DORY-6306-A	(000000-)	Sprocket	1
10	36429	DORY-6B316-A	(000000-)	Key, Woodruff	1
11	36259	89BM-6344-BA	(000000-)	Gasket, Rear Retainer	1
12	36430	86BM-6K318-AA	(000000-)	Retainer Assembly, Rear	1
13	36262	D7RZ-6701-A	(000000-)	Seal, Crankshaft Rear	1
14	36431	E630173-S71M	(000000-)	Washer, B8 Lock	4
15	37181	E602187-S82	(000000-)	Bolt, M8 x 20	4
16	41990	89BM-6102-AA	(000000-)	Piston, Pin and Ring Assembly, Std	4
16	41991	89BM-6102-BA	(000000-)	Piston, Pin and Ring Assembly, 0.020 OS	As Req.
16	41992	89BM-6102-CA	(000000-)	Piston, Pin and Ring Assembly, 0.040 OS	As Req.
17	36450	84BM-6148-DA	(000000-)	Ring Set, Piston, Std	4
17	36451	84BM-6148-EA	(000000-)	Ring Set, Piston, 0.020 OS	As Req.
17	36452	84BM-6148-FA	(000000-)	Ring Set, Piston, 0.040 OS	As Req.
18	41993	86BM-6200-BB	(000000-)	Rod Assembly, Connecting	4
19	36454	89BM-6214-CB	(000000-)	Bolt, Connecting Rod	8
20	36463	89SM-6211-AA	(000000-)	Bearing, Connecting Rod, Std	8
20	36467	89SM-6211-BA	(000000-)	Bearing, Connecting Rod, 0.001 US	As Req.
20	36469	89SM-6211-CA	(000000-)	Bearing, Connecting Rod, 0.010 US	As Req.
20	36483	89SM-6211-DA	(000000-)	Bearing, Connecting Rod, 0.020 US	As Req.
20	36493	89SM-6211-EA	(000000-)	Bearing, Connecting Rod, 0.030 US	As Req.
21	36590	116336-ES100	(000000-)	Dowel Pin, Connecting Rod	8

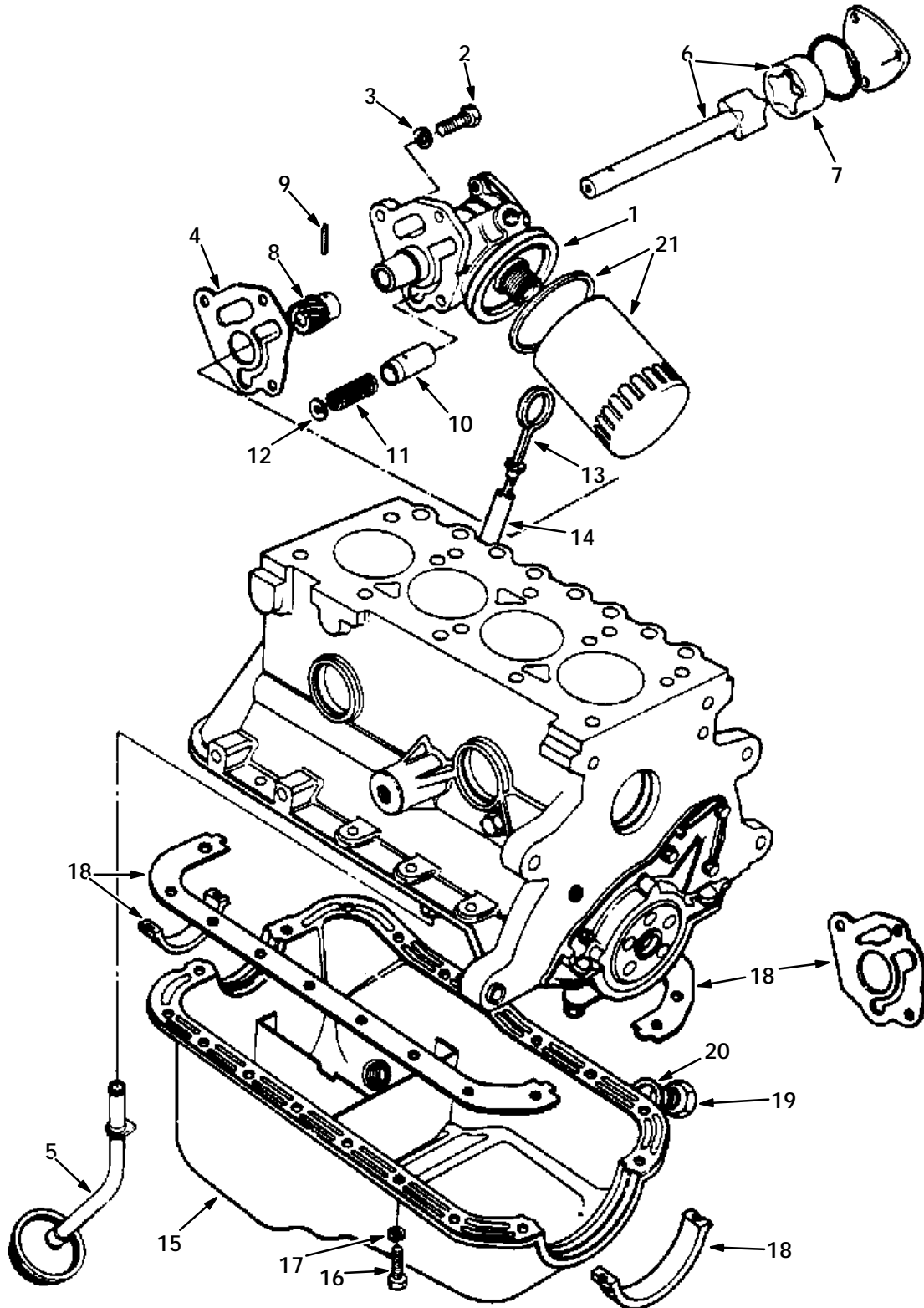


Fig. 5 -- Oil Pump and Oil Pan Group

NOTE: To identify parts shown but not listed here, see SECTION 5, STANDARD MODEL PARTS.

Fig. 5 -- Oil Pump and Oil Pan Group

Key	TENNANT® Part No.	Ford Part Number	Engine Serial Number	Description	Qty.
1	07710	D8RZ-6600-A	(000000-)	Pump, Oil	1
2	36748	E800519-S72	(000000-)	Bolt	3
3	36431	E630173-S71M	(000000-)	Washer, B8 Lock	3
4	36764	89BM-6659-AA	(000000-)	Gasket, Oil Pump to Block	1
5	36765	86BM-6617-AA	(000000-)	Tube Assembly, Oil Pickup	1
6	10075	D1FZ-6608-B	(000000-)	Rotor and Shaft	1
37403	36776	116682-ES	(000000-)	Seal, Cover Plate	1
8	36780	DORY-6652-A	(000000-)	Gear	1
9	36867	72432-S	(000000-)	Pin, Drive Gear	1
10	36881	DORY-6674-A	(000000-)	Plunger	1
11	36904	DORY-6670-A	(000000-)	Spring	1
12	36923	DORY-6666-A	(000000-)	Plug	1
13	36924	89BM-6750-AA	(000000-)	Indicator, Oil Level	1
14	37053	89BM-6784-AA	(000000-)	Tube, Oil Level Indicator	1
15	37098	86BM-6675-AA	(000000-)	Oil Pan	1
16	37099	E602165-S72	(000000-)	Bolt, M6 x 14, Oil Pan	18
17	36373	34805-S8	(000000-)	Washer, 1/4 Lock	18
18	07711	A76SX-6013-AA	(000000-)	Kit, Oil Pan Gasket	1
19	37127	EOFZ-6730-B	(000000-)	Plug, Oil Drain	1
20	37157	EOFZ-6734-A	(000000-)	Gasket, Oil Drain Plug	1
21	19205		(000000-)	Filter, Engine Oil	1

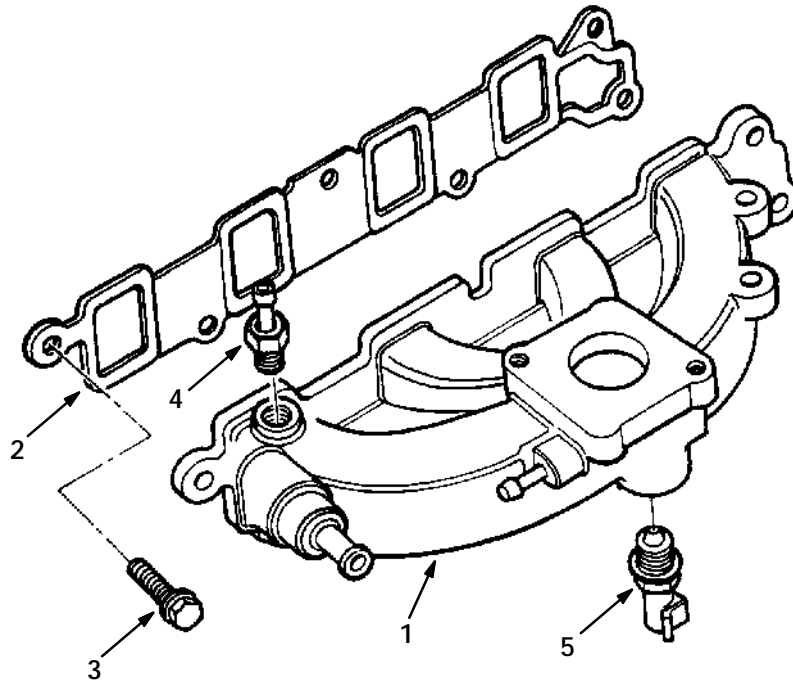


Fig. 6 -- Intake Manifold Group

05506

Key	TENNANT® Part No.	Ford Part Number	Engine Serial Number	Description	Qty.
1	37194	89BF-9424-AD	(000000-)	Manifold, Intake	1
2	37195	89BM-9441-AB	(000000-)	Gasket, Intake Manifold	1
3	37196	E800157-S72	(000000-)	Bolt, M8 x 25	6
4	37198	77BF-9K442-AA	(000000-)	Adapter, Vacuum	1
5	37199	E4AF-12A648-AA	(000000-)	Adapter, Vacuum	1
sor, Water Temperature			1		Sen

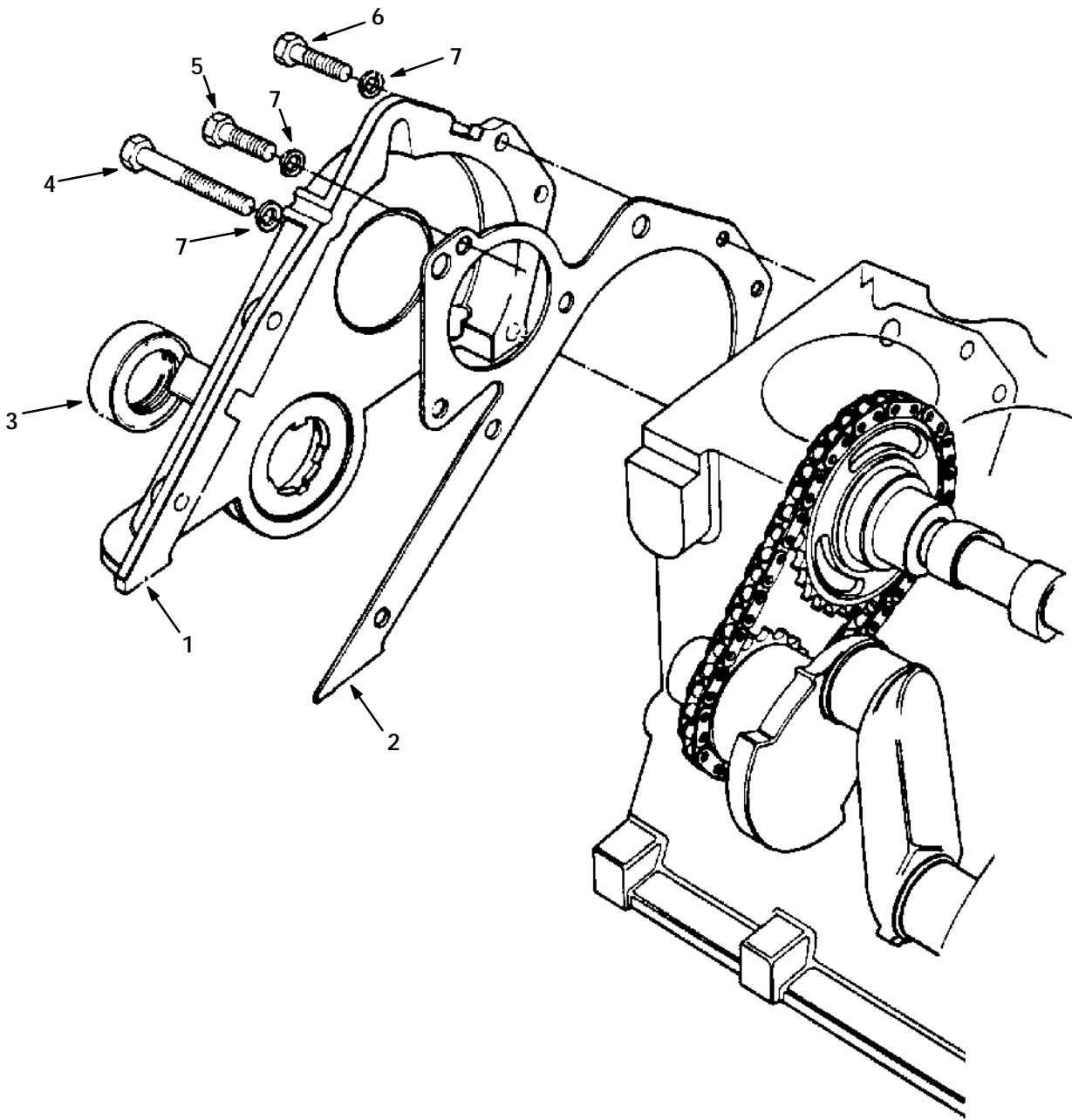


Fig. 7 -- Front Cover Assembly Group

06075

Key	TENNANT® Part No.	Ford Part Number	Engine Serial Number	Description	Qty.
1	36332	89BM-6019-AA	(000000-)	Cover and Seal Assembly, Cylinder Front	1
2	36258	89BM-6020-AA	(000000-)	Gasket, Front Cover	1
3	36257	83BM-6700-A4A	(000000-)	Seal, Front Cover	1
4	36337	E800518-S72	(000000-)	Bolt, M6 x 45, Front Cover to Block	1
5	39047	E800113-S72	(000000-)	Bolt, M6 x 40, Front Cover to Block	3
6	36338	E800512-S72	(000000-)	Bolt, M6 x 18, Front Cover to Block	4
7	36339	E630152-S71	(000000-)	Washer, Lock, B6, Front Cover and W/P to Block	8

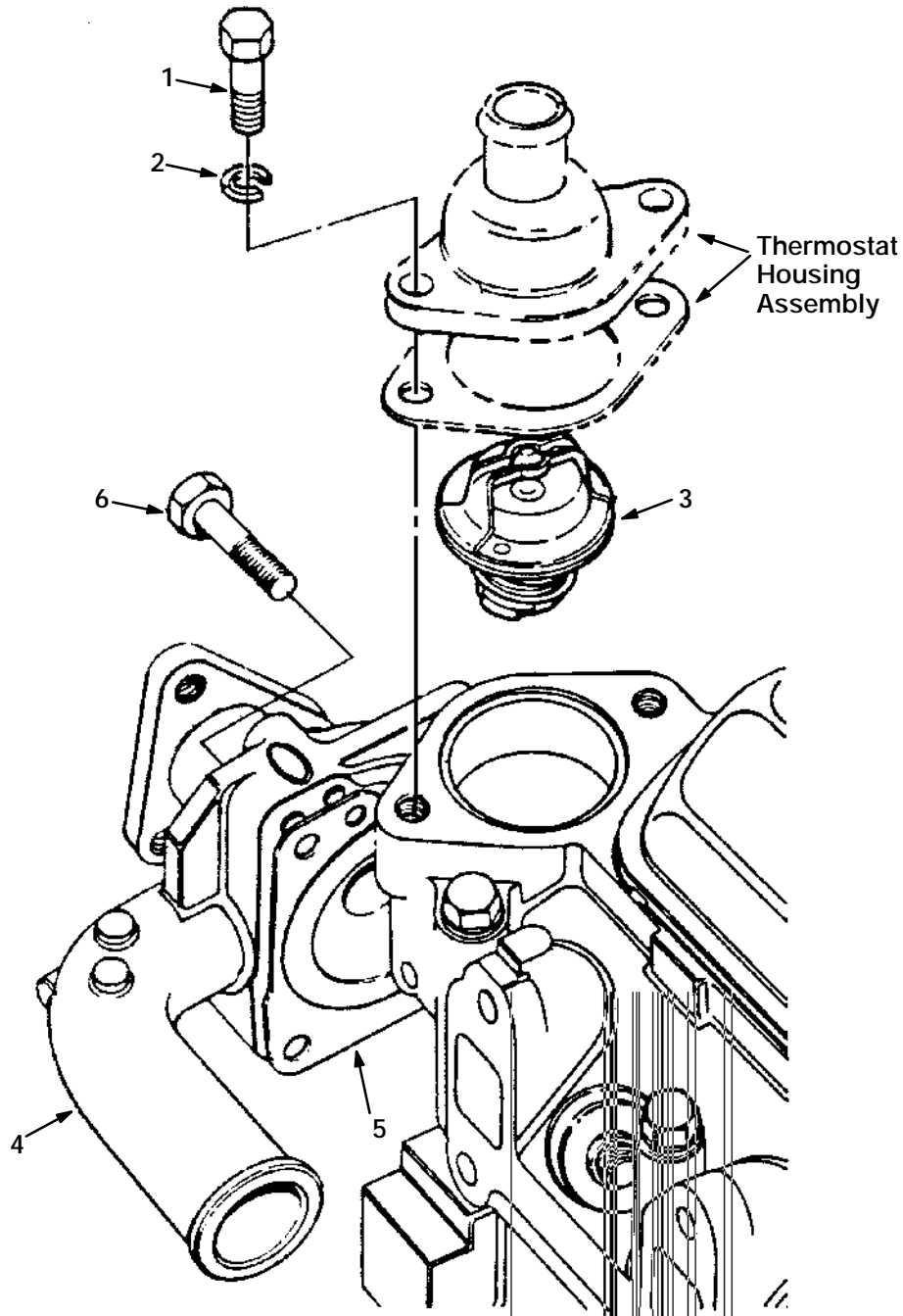


Fig. 8 -- Water Pump Group

05509

Key	TENNANT® Part No.	Ford Part Number	Engine Serial Number	Description	Qty.
1	37181	E602187-S82	(000000-)	Bolt, M8 x 20	2
2	36431	E630173-S71M	(000000-)	Washer, B8 Lock	2
3	37327	RT-351	(000000-)	Thermostat	1
4	37188	89BM-8501-BD	(000000-)	Water Pump	1
5	37189	89BM-8507-AA	(000000-)	Gasket, Water Pump	1
6	37193	E600113-S72	(000000-)	Bolt, M6 x 40, Front Cover and W/P to Block	3

NOTE: To identify parts shown but not listed here, see Section 5, Standard Model Parts.

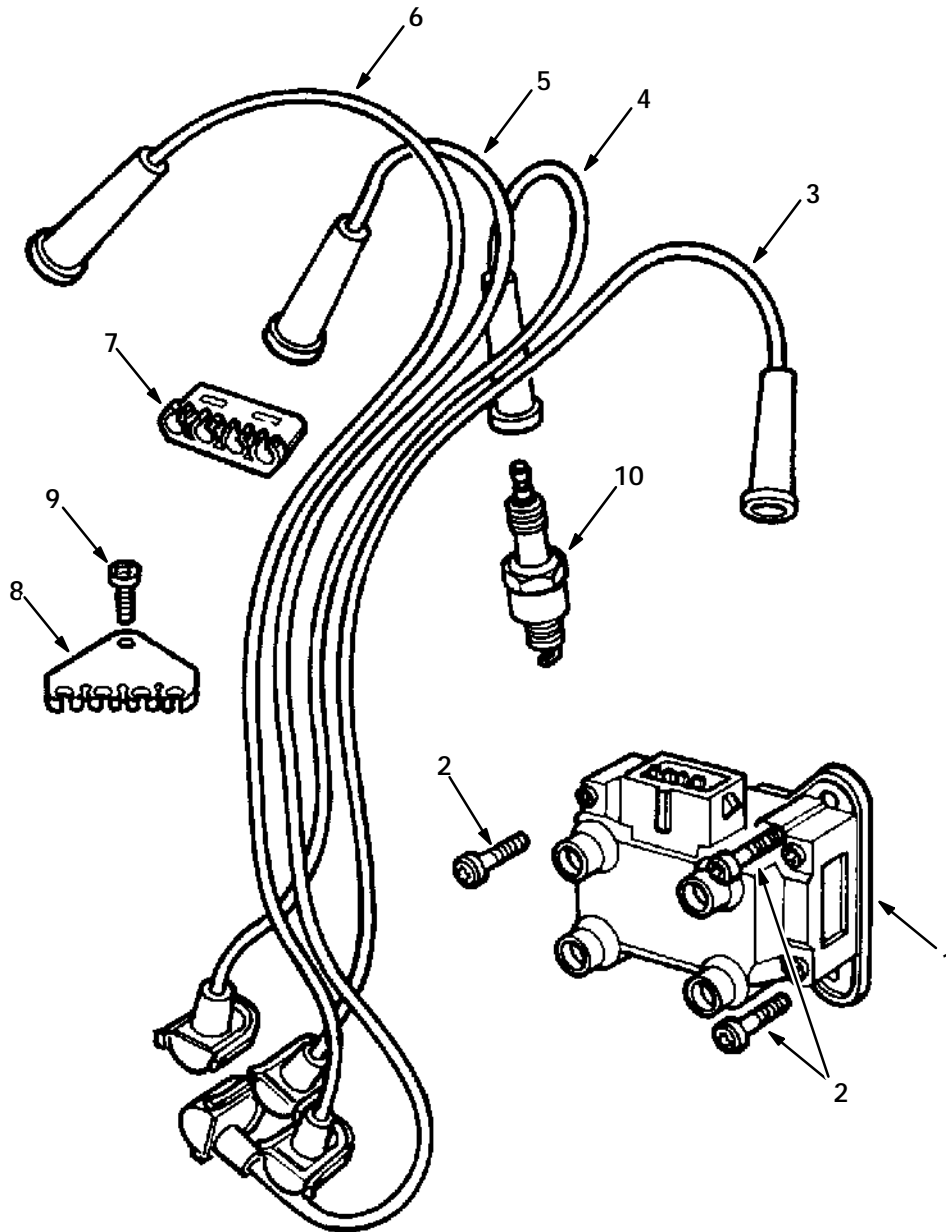


Fig. 9 -- Distributorless Ignition Group

05508

Key	TENNANT® Part No.	Ford Part Number	Engine Serial Number	Description	Qty.
1	39025	89BF-12024-AB	(000000-)	Coil and Bracket Assembly, Ignition	1
2	39026	E804335-S201	(000000-)	Screw, M8 x 14	3
	39035	E8JL-12A200-AC	(000000-)	Wiring Harness, Ignition	1
3	39038	89BF-12286-AC	(000000-)	Wire, Spark Plug, No. 1	1
4	39040	89BF-12283-AC	(000000-)	Wire, Spark Plug, No. 2	1
5	39041	89BF-12284-AC	(000000-)	Wire, Spark Plug, No. 3	1
6	39042	89BF-12287-AC	(000000-)	Wire, Spark Plug, No. 4	1
7	39043	E865648-S	(000000-)	Separator, Ignition Wire	1
8	39044	89BF-12297-AA	(000000-)	Separator, Ignition Wire	1
9	39045	E802166-S76	(000000-)	Screw, M4 x 10	1
10	39046	87YF-12405-AA	(000000-)	Spark Plug	4

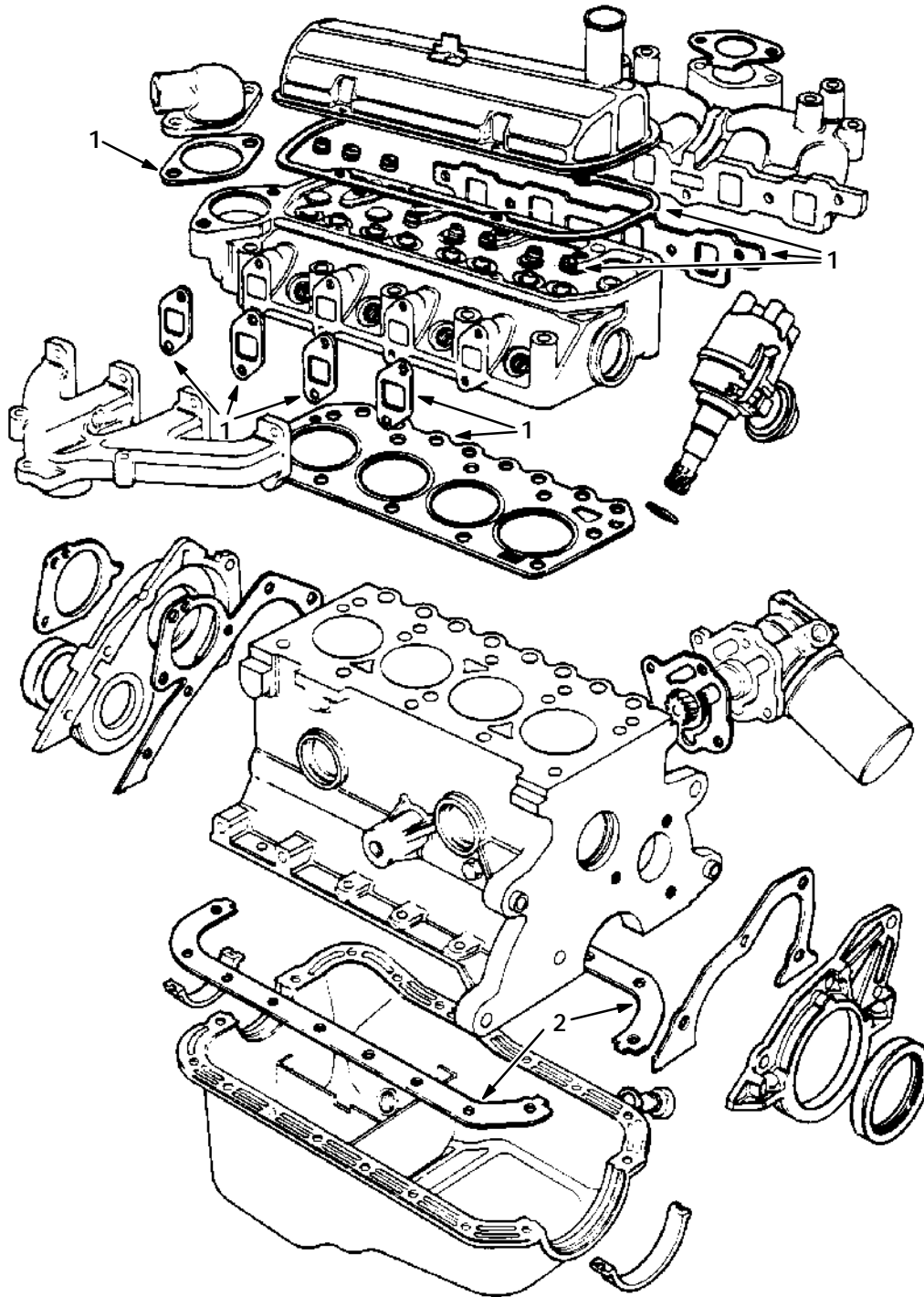


Fig. 10 -- Gaskets Group

06076

Key	TENNANT® Ford Part No.	Part Number	Engine Serial Number	Description	Qty.
	41995	88BX-6008-AA	(000000-)	Engine Gasket Kit, Complete	1
1	41996	88BX-6014-AA	(000000-)	Engine Gasket Kit, Upper	1
2	07711	A76SX-6013-AA	(000000-)	Engine Gasket Kit, Oil Pan	1

NOTE: To identify parts shown but not listed here, see Section 5, Standard Model Parts.

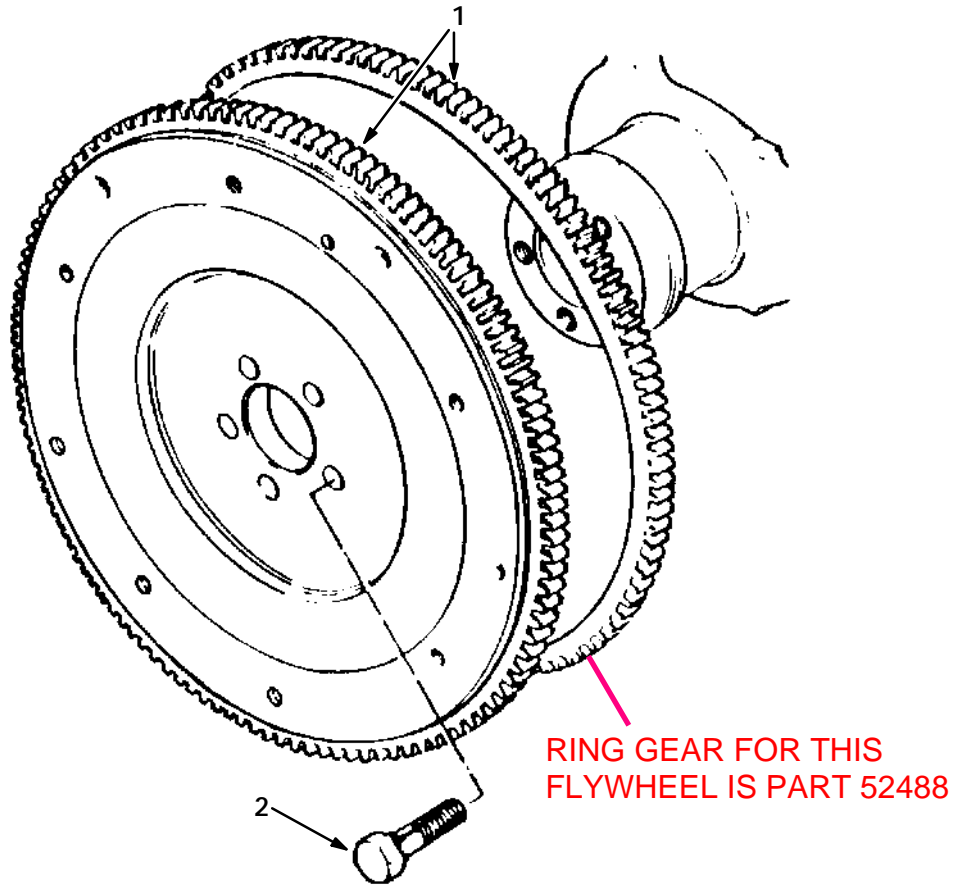


Fig. 11 -- Flywheel Group

06077

Key	TENNANT® Part No.	Ford Part Number	Engine Serial Number	Description	Qty.
1	41997	89BM-6375-AA	(000000-)	Flywheel and Ring Gear Assembly	1
2	36630	D2RY-6379-A	(000000-)	Bolt, M10 x 22.5, Flywheel to Crankshaft	6
	36646	D1FZ-6397-B	(000000-)	Dowel	6

SECTION 11

CONTENTS

	Page
PART NUMBER TO PAGE NUMBER CROSS REFERENCE LIST	11-3

PART NUMBER TO PAGE NUMBER CROSS REFERENCE LIST

Part Number	Page Number	Part Number	Page Number
A76SX-6013-AA .	10-12	DORY-6262-A ...	10-8
A76SX-6013-AA .	10-18	DORY-6262-B ..	10-8
A76SX-6013-AA .	9-12	DORY-6268-A ...	10-8
A76SX-6013-AA .	9-20	DORY-6269-A ...	10-8
A83SX-6014-CA .	9-20	DORY-6306-A ...	10-10
AGRF-22	9-18	DORY-6549-B ..	10-8
C5TE-8575-B ...	9-16	DORY-6587-A ...	10-8
C6AH-12390-B ..	9-18	DORY-6652-A ...	10-12
D0RY-6253-A ...	9-8	DORY-6666-A ...	10-12
D0RY-6255-A ...	9-8	DORY-6670-A ...	10-12
D0RY-6258-A ...	9-8	DORY-6674-A ...	10-12
D0RY-6261-A ...	9-8	DORY-6B316-A .	10-10
D0RY-6261-B ...	9-8	E0FZ-6730-B ...	9-12
D0RY-6262-A ...	9-8	E0FZ-6734-A ...	9-12
D0RY-6262-B ...	9-8	E4AF-12A648-AA	10-14
D0RY-6268-A ...	9-8	E600113-S72	9-15, 10-16
D0RY-6269-A ...	9-8	E600113-S72	9-16
D0RY-6306-A ...	9-10	E600115-S72	9-15
D0RY-6549-B ...	9-8	E600116-S72	9-8, 10-8
D0RY-6587-A ...	9-8	E600314-S72	9-8
D0RY-6652-A ...	9-12	E602165-S72	9-12, 10-12
D0RY-6666-A ...	9-12	E602166-S72	9-8, 10-8
D0RY-6670-A ...	9-12	E602167-S71	9-15
D0RY-6674-A ...	9-12	E602187-S82	9-10, 10-10, 9-16, 10-16
D0RY-6B316-A ..	9-10	E602188-S72	9-12, 9-14
D1FZ-6026-E ...	9-8, 10-8	E602351-S72	9-8, 10-8
D1FZ-6284-A ...	9-8, 10-8	E603166-S72	9-4
D1FZ-6286-A ...	9-8, 10-8	E620433-S72	9-14
D1FZ-6345-A ...	10-6	E630031-S101 ...	9-8, 10-8
D1FZ-6345-A ...	9-6	E630152-S71	9-15, 10-15
D1FZ-6397-B ...	10-19	E630173-S71	9-14
D1FZ-6500-A ...	9-8	E630173-S71M ..	9-10, 9-12, 9-16, 10-10, 10-12, 10-16
D1FZ-6514-B ...	9-4	E800113-S72	10-15
D1FZ-6518-B ...	9-4	E800157-S72	10-14
D1FZ-6571-B ...	9-4, 10-4	E800334-S76	9-10
D1FZ-6608-B ...	9-12, 10-12	E800509-S72	10-8
D1FZ-6659-A ...	9-12	E800512-S72	10-15
D1FZ-8255-B ...	9-16	E800516-S72	10-4
D1RY-12143-A ..	9-18	E800518-S72	10-15
D2RY-6379-A ...	10-19	E800519-S72	10-12
D7RZ-6701-A ...	10-10	E802166-S76	10-17
D8RZ-6020-A ...	9-15	E802666-S72	10-6
D8RZ-6026-A ...	9-6, 10-6	E804335-S201 ...	10-17
D8RZ-6026-B ...	10-4	E804627-S76	9-14
D8RZ-6026-B ...	10-6	E830135-S76	9-10, 10-10
D8RZ-6026-B ...	9-4, 9-6	E840126-S	9-4, 10-4
D8RZ-6310-A ...	9-10, 10-10	E865648-S	10-17
D8RZ-6384-A ...	9-22	E890100-S	9-6, 10-6
D8RZ-6600-A ...	9-12, 10-12	E8JL-12A200-AC	10-17
D8RZ-6750-A ...	9-12	EOFZ-6730-B ...	10-12
D8RZ-6767-A ...	9-6, 10-6	EOFZ-6734-A ...	10-12
D8RZ-8501-A ...	9-16	FL-271	9-12
D8RZ-8507-A ...	9-16	MM161	5-10, 5-12
DORY-6253-A ...	10-8	RT-351	10-16
DORY-6255-A ...	10-8	RT-351	9-16
DORY-6258-A ...	10-8	SK1444	5-4, 5-54, 5-60
DORY-6261-A ...	10-8	SK2561	8-12
DORY-6261-B ..	10-8		

CROSS REFERENCE

Part Number	Page Number	Part Number	Page Number
72EG-2A411-BA	9-14	84BM-6148-EA ..	9-10, 10-10
72HF-12106-AA .	9-18	84BM-6148-FA ..	9-10, 10-10
77BF-12273-AA .	9-18	84BM-6513-AA ..	9-4
77BF-9K442-AA .	10-14	84BM-6582-CA .	9-4
77BM-6055-AA ..	9-6	86BF-12100-BA .	9-18
77BM-6059-AE ..	9-15	86BF-12283-AB .	9-18
77BM-6065-AA ..	9-4	86BF-12284-AB .	9-18
77BM-6200-BB .	9-10	86BF-12286-AB .	9-18
77BM-6214-AA ..	9-10	86BF-12287-AB .	9-18
77BM-6256-AA ..	9-8, 10-8	86BF-12370-AA .	9-18
77BM-6303-DA .	9-10	86BF-12K062-AA	9-18
77BM-6333-BAA	9-10	86BM-6049-BB .	9-4
77BM-6333-BBA	9-10	86BM-6051-B1A	9-4
77BM-6333-BCA	9-10	86BM-6057-CA .	9-4
77BM-6333-BDA	9-10	86BM-6200-BB .	10-10
77BM-6333-BEA	9-10	86BM-6250-BA .	9-8
77BM-6333-BFA	9-10	86BM-6617-AA ..	10-12
77BM-6333-BGA	9-10	86BM-6675-AA ..	10-12
77BM-6333-BHA	9-10	86BM-6K318-AA	10-10
77BM-6333-BJA	9-10	87YF-12405-AA .	10-17
77BM-6344-AA ..	9-10	88BX-6008-AA ..	10-18
77BM-6375-CA .	9-22	88BX-6014-AA ..	10-18
77BM-6505-DB .	9-4	88WM-6518-AA .	10-4
77BM-6529-AB .	9-8	89BF-12024-AB .	10-17
77BM-6531-BB .	9-8, 10-8	89BF-12283-AC .	10-17
77BM-6565-BA .	9-8	89BF-12284-AC .	10-17
77BM-6571-AB .	9-4	89BF-12286-AC .	10-17
77BM-6584-CA .	9-4, 10-4	89BF-12287-AC .	10-17
77BM-6598-AB .	9-8, 10-8	89BF-12297-AA .	10-17
77BM-6617-AD .	9-12	89BF-6C315-AA .	10-6
77BM-6675-AC .	9-12	89BF-9424-AD ..	10-14
77BM-6784-AC .	9-12	89BM-6010-EA ..	10-6
77BM-6A341-AA	9-10	89BM-6011-BA .	10-6
77BM-6A341-BA	9-10	89BM-6019-AA ..	10-15
77BM-6A557-BB	9-8, 10-8	89BM-6020-AA ..	10-15
77BM-6K255-AB	9-8, 10-8	89BM-6049-HB .	10-4
77BM-6K318-AC	9-10	89BM-6051-B2C	10-4
77BM-6K528-AB	9-8	89BM-6055-AA ..	10-6
77BM-9441-DA .	9-14	89BM-6056-A1F .	10-4
77BM-9448-EA ..	9-14	89BM-6057-A2E	10-4
79BF-9425-BC ..	9-14	89BM-6065-DA .	10-4
80BM-6507-AC .	9-4	89BM-6102-AA ..	10-10
80BM-6507-CC .	9-4	89BM-6102-BA .	10-10
81SM-6211-AA ..	9-10	89BM-6102-CA .	10-10
81SM-6211-BA ..	9-10	89BM-6214-CB .	10-10
81SM-6211-CA .	9-10	89BM-6251-AA ..	10-8
81SM-6211-DA .	9-10	89BM-6303-CA .	10-10
81SM-6211-EA ..	9-10	89BM-6312-AA ..	10-10
81SM-6211-FA ..	9-10	89BM-6333-AA ..	10-10
82BM-6010-AA ..	9-6	89BM-6333-BA .	10-10
83BM-6700-A4A	10-10, 10-15	89BM-6333-CA .	10-10
83BM-6700-A4A	9-10, 9-15	89BM-6333-DA .	10-10
83BM-6701-A3A	9-10	89BM-6333-EA ..	10-10
84BF-6K614-CA .	9-4	89BM-6333-FA ..	10-10
84BF-9430-BA ..	9-14	89BM-6333-GA .	10-10
84BM-6011-FA ..	9-6	89BM-6333-HA .	10-10
84BM-6102-GA .	9-10	89BM-6344-BA .	10-10
84BM-6102-HA .	9-10	89BM-6375-AA ..	10-19
84BM-6102-JA ..	9-10	89BM-6500-AA ..	10-8
84BM-6148-DA .	9-10, 10-10	89BM-6505-BC .	10-4

CROSS REFERENCE

Part Number	Page Number	Part Number	Page Number
89BM-6505-CA	10-4	02650	8-4
89BM-6507-AA	10-4	02657	5-32
89BM-6507-AC	10-4	02659	5-32
89BM-6513-AA	10-4	02661	5-24
89BM-6529-AB	10-8	02662	5-24, 7-20
89BM-6565-AA	10-8	02663	5-6, 7-24
89BM-6582-AA	10-4	02668	6-6
89BM-6659-AA	10-12	02671	5-18
89BM-6750-AA	10-12	02674	7-38
89BM-6784-AA	10-12	02675	5-40
89BM-6A341-AA	10-10	02676	5-40
89BM-6A341-BA	10-10	02677	6-10
89BM-6A536-AA	10-4	02683	5-40
89BM-6K340-AA	10-10	02684	5-40
89BM-6K528-AB	10-8	02685	5-40
89BM-8501-BD	10-16	02686	5-46
89BM-8507-AA	10-16	02687	5-44, 6-17
89BM-9441-AB	10-14	02692	7-12
89SM-6211-AA	10-10	02696	5-54, 5-56
89SM-6211-BA	10-10	02699	5-68
89SM-6211-CA	10-10	02701	5-66, 5-68
89SM-6211-DA	10-10	02702	5-66, 5-68
89SM-6211-EA	10-10	02703	5-42, 8-4
00500-15	8-8, 8-9, 8-10, 8-11, 8-14	02705	8-4
00500-5	5-62	02706	8-4
711F-6500-DA	9-8	02707	8-4
771F-8250-BA	9-16	02708	8-4
00926	5-68	02709	8-4
00927	5-32	02710	8-4
00966	8-12	02711	8-4
01053	5-71	02712	5-35
01275	5-26	02716	6-10
01318	7-6, 7-8	02722	5-34
01622	7-26	02724	5-34
01666	8-15, 8-16	02728	5-20
01669	8-15, 8-16	02731	7-54
01673	8-16	02738	5-48, 5-52
01681	6-5	02740	5-63, 5-64
01817	8-15	02741	5-64
01818	8-16	02885	5-24
02247	5-48	02886	5-18
02482	6-13	02887	5-48, 5-50
02485	5-4, 5-8, 5-74	02892	5-18
02506-6	7-46	02912	7-28
02507	7-4	02925	7-26
02602	8-6	02942	7-20
02603	8-7	02962	7-28
02606	8-17	02967	7-26
02607	8-17	02970	7-26
02609	8-17	02985	5-26
02621	8-19	02987	5-30
02630	8-13	02997	7-30
02637	5-30	02998	5-8
02641	5-30, 8-7	02999	5-40
02642	5-40	03001	5-40
02643	8-7	03004	5-47
02644	8-7	03006	5-47
02645	8-7	03024	7-24
02646	8-7	03043	7-28
02647	8-7	03073	7-26

CROSS REFERENCE

Part Number	Page Number	Part Number	Page Number
03074	7-26	06946	7-58
03091	5-26	06999	5-10
03112	7-30	07026	7-24
03114	7-30	07027	7-10
03130	7-28	07028	5-8
03139	7-30	07037	7-8, 7-24
03141	7-28	07039	5-36
03142	7-28	07051	5-4, 7-20
03152	5-48, 5-59	07055	5-38
03154	5-68	07056	5-36
03156	5-68	07063	7-20
03157	5-58	07103	5-59
03158	5-58, 5-62	07104	5-59
03161	5-72	07105	5-48, 5-59
03176	5-10	07113	5-58
03177	5-10	07128	5-58
03179	5-68	07175	5-48, 5-50
03183	5-58	07188	5-68
03189	5-48	07189	5-58, 5-62
03192	5-70	07211	7-43
03193	5-68	07212	5-48
03194	5-48	07250	5-48, 5-52
03210	5-68	07251	5-48, 5-52
03227	5-59	07252	5-48, 5-52
03232	5-72	07253	5-58
03233	5-58, 5-62	07254	5-58, 5-62
03234	7-4	07255	5-58
03235	7-4	07259	6-6
03237	7-4	07274	5-58
03238	7-4	07280	5-58
03242	7-4	07282	5-58
03243	7-4	07300	5-10
03247	7-4	07301	5-38
03251	7-51	07302	5-54
03252	5-72	07324	5-48
03253	7-4	07328	5-4, 5-48
03255	7-4	07329	5-48
03280	7-4	07335	5-38
03281	7-4	07341	5-48
03282	7-4	07351	7-20
03467A	5-35	07362	5-63
4012-1	5-73	07382	7-20
04078	5-58	07384	7-20
04140	5-59	07387	5-72
04175	7-20	07421	7-4
04414	5-68, 5-70	07425	6-18
04428A	7-22, 7-28	07437	7-28
04468	5-22, 8-18	07442	7-26
04471	6-8, 8-20	07447	7-20
04477	8-20	07448	7-20
04480	8-18	07449	7-20
04733-11	6-13	07461	5-8
04733-3	6-5	07464	5-48
06279	7-20	07465	6-4
06442	5-26, 6-15	07469	7-20
06474A	7-8	07477	7-20
06507	5-48, 5-52	07478	7-20
06532	5-52, 5-60, 5-62	07490	5-48
06678	7-24	07492	5-48
06750	5-30, 5-42	07496	5-32

CROSS REFERENCE

Part Number	Page Number	Part Number	Page Number
07499	5-32	09342	5-8
07503	7-20	09600N	5-6
07529	7-20	09600P	5-6
07536	5-58	09758	5-26, 6-15
07539	5-52, 5-60	09832	5-14
07561	5-38	09893	5-48, 5-59
07562	5-64, 7-32	10075	10-12
07565	7-32	10120	6-6
07566	7-31	10137	5-37
07570	5-36	10144	7-35
07585	7-20	10403	9-16
07586	5-48	10413	5-26
07597	5-59, 5-60	10414	5-26
07598	5-59, 5-60	10415	5-26
07602	5-59, 5-60	10464	7-8, 7-24
07640	5-4	10552	5-26, 6-15
07642	5-36	10632	7-56, 7-60
07663	5-36	10632-1	5-22
07664	7-4, 7-14, 7-15	10632-11	5-50, 6-6
07675	5-10	10632-19	5-22
07676	7-51	10632-2	7-4, 7-12, 7-14, 7-15, 7-16, 7-17
07682	5-4	10632-20	7-18
07683	5-4	10632-3	7-58, 7-60
07700	5-48	10632-4	6-6, 7-26, 7-33
07703	9-20	10701	7-4
07704	9-4	10712K	5-6
07705	5-4, 9-4, 10-4	10790	9-12
07706	9-10	10791	9-12
07707	9-10, 10-10	10792	9-4
07708	9-14	10795	9-4
07709	9-22	10802	9-18
07710	9-12, 10-12	10803	9-18
07711	9-12, 10-12, 10-18	10804	9-18
07712	9-16	10805	9-18
07713	9-16	10865	5-38
07714	9-14	10869	5-34
07764	5-4	11048	7-28
07764	9-18	11398	7-24
07769	9-18	11442-1	5-56, 5-60
07871	7-38	11442-3	7-26
07874	7-40	11516	7-8
07885	5-74	11531	5-10, 5-14, 7-28
08007	7-48, 7-52	11860	5-6
08008	7-48	11861	5-6
08013N	5-6	11862	5-6
08015	7-47	11863	5-6
08016	7-47	11864	5-6
08017	5-6, 7-47, 7-48, 7-52	11893	5-54, 5-56, 7-6, 7-8
08046	7-6	11915	7-20
08048	7-6	11918	7-20
08050	7-6	11924	7-20
08104	5-26	11925	7-20
08107	6-15	11938	7-20
08112	5-26	11939	7-20
08165	5-50	11951	7-20
08182	7-56	11952	5-4, 7-20
08317	7-19	11956	5-4, 7-20
08708	7-58	11957	5-4, 7-20
08892	5-24		
08919	5-18		

CROSS REFERENCE

Part Number	Page Number	Part Number	Page Number
11958	7-20	19531	5-70
11959	7-20	19636	5-40
11961	7-20	19689	5-50
11978	7-33	19760	5-56
11984	5-48	19827	7-12
11984	5-59	20021	5-26, 6-15
11989	5-10	20050	5-32
12005	7-20	20160	7-24, 7-28
12008	7-20	20215	7-28
12039	7-4	20536-1	5-54, 5-56
12046	7-26	21097	7-6, 7-8
12047	7-26	22297	7-20
12770	7-26	22308	5-60
12878	7-28	22308-3	5-54, 5-56
12962	5-20	22383	5-22, 5-48
13015	7-41	23138	5-52, 6-8
13016	7-41	23145	6-8
13105	5-24, 8-10	23191	5-24, 6-13, 7-8
13106	5-32, 8-8	23244	5-26
13151	5-32	23272	5-26, 6-15
13248	5-14	23275	5-4, 5-8
13352	7-38	23280-2	5-26
13534	5-32	23293	5-24
14131	7-40	23294	5-24
14138A	5-22	23306-1	5-24, 5-33
14174	5-24, 5-33, 6-14	23307-1	5-24, 5-33
14242	5-30, 6-8	23315-2	5-28
14330	7-24	23382	5-4, 5-8, 6-4
14331	7-24	23384-2	5-4, 5-8, 6-4
14432	5-63, 5-64	23386	5-4, 5-8
14595-1	5-26, 5-48, 5-71, 6-12, 7-20	23411	5-26
14601	5-48, 5-52, 5-59	23452-2	5-22
14605	5-26, 5-44, 5-48, 5-71, 6-17	23454-2	5-22
14605	5-26, 5-44, 5-48, 5-71, 6-17	23455-2	5-22
14878	7-58	23484	5-26, 6-15
14895	6-12	23498	5-35, 6-4
15066	7-4	23503A	5-24
15121	7-4	23536	5-24
15280-1	5-68	23542	5-35
15280-3	5-66	23580-2	5-22
15280-3	5-68	23583-2A	5-22
16082	5-24	23683	5-65, 5-66
16456	5-22	23693	5-72, 5-73
16564	5-59	23788	5-22, 6-8, 6-11, 6-12, 7-52
16694	8-10, 8-11	23788-1	6-5, 6-8, 6-12
16695	8-8, 8-9, 8-10, 8-11, 8-13, 8-14	23947	7-4
16735	5-50, 5-70	24012	5-72, 5-73
16736	5-66, 5-68	24013	5-50
16738	5-48, 5-52	24047	5-54, 5-56
16786	5-8	24096	5-18
16931	5-48, 5-59, 5-62	24097	5-18
17414	5-48, 5-50, 5-59	24120	7-11, 7-23
17759	5-58	24145	7-34
18136	6-6	24147	7-34
19073	5-70	24149	7-34
19171	5-52	24207	5-24
19205	10-12	24259A	7-34
19252	5-70	24339	5-30, 5-33, 7-24
		24507	7-49
		24704	7-8

CROSS REFERENCE

Part Number	Page Number	Part Number	Page Number
24705	7-8	30306	5-50
24706	7-10	30312	5-52, 5-60
24721	7-8	30316	5-50
24724	7-8	30318	5-52
24728	7-10	30320	5-52
24729	7-8	30321	5-52
24737	7-8	30322	5-60
24741	5-6, 7-8	30324	5-52, 5-60
24743	7-8, 7-24	30325	5-52
24767	7-10	30326	5-60
24769	7-8	30327	10-4
24776	7-8	30328	5-70
24787	7-8	30340	6-4
24928	7-46	30341	5-8
24928-1	7-46	30348	5-14
24929	5-48	30350	5-73
24976	5-50, 5-63, 5-74	30351	5-73
24988	5-30	30354	5-14
24989	5-30	30361	5-56
24992	5-26, 6-15	30362	5-35
25143	5-75	30363	5-66
25144	5-8	30365	5-66
25162	5-75	30367	5-16
25197A	6-15, 7-11, 7-23	30368	5-12
25312	7-43	30375	5-56
25885	5-20	30377	5-50
25887	5-32	30383	7-20
26065	7-24, 7-28	30384	7-20
26156	5-24, 5-33, 5-44, 6-17, 7-24	30386	7-20
26395	7-28	30387	5-60
26395-1	7-60	30390	5-26
26395-2	6-6, 7-36	30391	5-16
26426	5-50	30393	5-50
26496	5-54, 5-56	30400	5-36
26565	5-71, 7-28	30434	5-70
27048	5-54, 5-56, 5-59, 5-60	30451	5-52
27787	7-8, 8-14	30458	5-62
27796	7-24, 8-13	30463	5-50
27800	5-32, 8-9	30518	7-52
27920	7-62	30522	7-52
28387	6-5	30523	7-52
28653	7-63	30526	7-52
28654	7-63	30534	7-52
28663	7-58	31158	7-51
28808	5-24, 8-11	31301	7-6
28835	8-8, 8-9, 8-10, 8-11, 8-13, 8-14	31302	7-6
29233	5-10, 5-12	31354	8-9, 8-11, 8-14
29499	5-54, 5-56	31362	8-14
29557	7-20	31363	8-14
29585	5-6	31374	8-9
30013	5-44, 5-45	31375	8-9
30274	5-52	31380	8-9
30275	5-38	31381	8-11
30280	5-12	31383	8-9
30286	5-36	31486	5-64
30287	5-38	31511	5-64
30297	5-50	31515	5-64
30305	5-50	31516	5-50
		31517	5-14
		31518	5-14

CROSS REFERENCE

Part Number	Page Number	Part Number	Page Number
31526	5-62	32169	7-60
31530	5-14	32180	7-6
31531	5-12	32214	7-60
31534	5-62	32219	7-60
31541	5-14	32225	7-63
31542	5-52, 5-60	32228	7-56
31543	5-50, 5-60	32260	7-54
31550	5-52	32261	7-54
31646	7-24	32262	7-54
31648	5-12	32263	7-54
31712	5-35	32266	7-56
31728	5-52, 5-60	32269	7-54
31745	5-4	32270	5-8
31746	5-4	32273	7-56
31761	5-70	32282	6-12
31961	5-36	32287	7-56
31964	7-31	32288	7-56
31965	7-12, 7-14, 7-15, 7-16, 7-17, 7-18, 7-19, 7-31,	32321	7-10
7-62		32397-1	5-4
31996	7-56	32397-1	5-4
31997	7-58	32448	6-6
31998	7-56	32449	7-28
31999	7-56	32486	6-5
32003	7-56	32492	5-58, 5-68, 5-70, 6-5
32004	7-56	32494	7-10
32005	7-56	32495	6-12
32006	7-56	32550	5-40
32007	7-56	32677	7-28
32008	7-56	32683	7-28
32009	7-56	32685	7-28
32010	7-56	32759	6-17
32011	7-60	32827	7-12
32015	7-56	32885	5-8
32022	7-58	32886	5-8
32024	7-58	32941	5-22, 6-11
32025	7-58	32942	5-22
32028	7-58	32969	7-6
32045	7-54	32981	7-54, 7-60
32048	7-58	32983	7-54
32049	7-58	33329	5-72, 5-73
32080	7-60	33330	5-72
32081	7-58	33333	5-72, 5-73
32082	7-56	33523	6-12
32086	7-56	33541	6-8
32089	7-62	33555	5-54, 5-60
32091	7-58	33563	6-12
32107	7-54	33565	6-12
32125	6-8	33568	6-12
32126	5-30, 7-24	33671	5-37
32135	7-54	33691	5-68
32137	7-54	33692	5-68
32138	7-54	33710	6-5
32139	7-58	33760	5-8
32143	7-58	33762	5-8
32145	7-56	33763	6-12
32146	7-56	33797	5-47
32148	7-54	33798	7-24
32152	7-60	33806	7-4
32162	7-8	33811	7-26
		33815	5-26

CROSS REFERENCE

Part Number	Page Number	Part Number	Page Number
33816	5-26, 6-15	36265	10-4, 10-6
33862	7-8	36267	10-6
34072	5-50	36268	10-6
34172	8-14	36272	10-6
34174	8-8, 8-10	36273	10-6
34175	8-11	36274	10-6
34176	8-8, 8-10, 8-11, 8-13	36276	10-6
34177	8-8, 8-13	36277	10-6
34196	5-8	36278	10-6
34258	5-74	36297	10-4
34292	5-8	36298	10-4
34319	6-17, 8-16	36306	10-4
34323	5-10, 5-12, 5-35	36307	10-4
34356	7-24	36315	10-4
34359	6-8	36317	10-4
34410	6-8	36318	10-4
34413	7-24	36319	10-4
34414	5-47	36321	10-4
34738	5-16, 5-18, 6-10, 7-54, 7-60	36324	10-4
34805-S8	10-8, 10-12, 9-8, 9-12	36325	10-4
34810	5-36	36330	10-4
34813	7-40	36332	10-15
34816	7-33	36337	10-15
34820	7-33	36338	10-15
34868	7-33	36339	10-15
35515	6-11	36341	10-8
35526	6-5	36342	10-8
35527	6-12	36343	10-8
35533	6-12	36344	10-8
35540	6-5	36345	10-8
35561	6-8	36348	10-8
35586	5-44, 6-17	36349	10-8
35591	6-12	36372	10-8
35593	6-14	36373	10-8, 10-12
35595	6-8	36374	10-8
35607	5-4, 6-6	36375	10-8
35614	6-8	36381	10-8
35615	6-8	36382	10-8
35618	5-28	36383	10-8
35620-1	6-8	36384	10-8
35621-1	6-8	36389	10-8
35630	6-8	36390	10-8
35631	6-8	36402	10-8
35631-1	6-8	36405	10-8
35636	6-8	36406	10-8
35640	6-8	36407	10-8
35665	6-8	36408	10-8
35666	6-8	36409	10-8
35668	6-8	36410	10-10
35669	6-5	36411	10-10
35677	5-32	36412	10-10
35686	6-8	36413	10-10
35688	5-22, 6-8	36414	10-10
35973	5-32	36415	10-10
36077	7-20	36416	10-10
36257	10-10, 10-15	36418	10-10
36258	10-15	36419	10-10
36259	10-10	36421	10-10
36262	10-10	36422	10-10
		36423	10-10

CROSS REFERENCE

Part Number	Page Number	Part Number	Page Number
36424	10-10	37306	9-8, 10-8
36429	10-10	37307	9-8, 10-8
36430	10-10	37312	9-10
36431	10-10, 10-12, 10-16	37316	9-8, 10-8
36450	10-10	37317	9-8, 10-8
36451	10-10	37321	9-10, 10-10
36452	10-10	37327	9-16, 10-16
36454	10-10	37337	9-8, 10-8
36463	10-10	37341	9-12
36467	10-10	37403	9-12
36469	10-10	37457	8-4
36483	10-10	37617	8-8
36493	10-10	37693	9-8, 10-8
36590	10-10	37694	9-8, 10-8
36630	10-19	37695	9-4
36646	10-19	38034	9-14
36658	5-20	38242	9-8, 10-8
36661	5-20	38245	5-4
36663	5-20, 6-12	38315	8-7
36665	5-20	38490	8-7
36666	5-20	38645	8-13
36748	10-12	39025	10-17
36764	10-12	39026	10-17
36765	10-12	39035	10-17
36776	10-12	39038	10-17
36780	10-12	39040	10-17
36867	10-12	39041	10-17
36881	10-12	39042	10-17
36904	10-12	39043	10-17
36923	10-12	39044	10-17
36924	10-12	39045	10-17
36955	6-13	39046	10-17
36972	6-12	39047	10-15
36984	6-5	39210	5-44, 6-17
36993	7-52	39272	7-41
36994	6-4	39274	5-33
36996	6-8	39283	5-62, 5-72
37014	6-8	39284	5-48, 5-58, 5-64
37015	6-8	39311	5-52, 5-60
37016	6-8	39319	5-20
37021	5-4, 6-6	39330	5-68
37053	10-12	39336	7-28
37054	5-4, 6-5	39349	5-50
37055	5-4, 6-5	39457	5-71
37073	6-5	39527	5-32, 8-8, 8-9
37074	6-5	39780-1	7-33
37098	10-12	39923	7-33
37099	10-12	40362	5-43
37127	10-12	40585	5-74
37139	6-8	40607	5-59, 7-33
37157	10-12	40670	7-54
37181	10-10, 10-16	40671	7-54
37188	10-16	40678	7-12, 7-26
37189	10-16	40727	5-32
37193	10-16	40755	5-45
37194	10-14	40758	7-8
37195	10-14	40823	5-48
37196	10-14	41128	5-10, 5-12
37198	10-14	41177	7-8
37199	10-14	41359	5-48

CROSS REFERENCE

Part Number	Page Number	Part Number	Page Number
41361	5-68, 5-70	43497	7-22
41732	7-54	43499	7-22
41980	10-4	43500	7-22
41981	10-4	43502	7-24
41982	10-4	43505	7-24
41983	10-4	43516A	7-26
41984	10-4	43549	7-22
41985	10-6	43552	7-28
41986	10-6	43553	7-22
41987	10-6	43555	7-28
41988	10-8	43592	5-6, 7-24, 7-31
41989	10-10	43593	5-6
41990	10-10	43609	7-28
41991	10-10	43611	5-71
41992	10-10	43614	7-28
41993	10-10	43615	7-28
41995	10-18	43616	7-28
41996	10-18	43652	7-24
41997	10-19	43653	7-24
42124	7-36	43680	5-6
42226	5-35, 5-45	43708K	5-6
42260	5-10, 5-12, 5-42, 5-43	43708N	5-6
43004	7-28	43708P	5-6
43005	7-28	43844	5-48, 5-52
43016	7-26	44166	7-36
43030	7-28	44681	7-14, 7-16, 7-18
43039	7-26	44681-1	7-14, 7-16, 7-18
43056	7-26	44681-2	7-14, 7-16, 7-18
43057	7-26	44868	6-17
43086	7-24	44869	5-32, 5-35, 5-42, 5-47, 7-8, 7-24
43096	7-24	44961	7-56
43116	7-24	45181	7-58
43148	5-6, 7-24	45481	7-26
43164	7-24	45482	7-60
43170	7-28	45484	7-26
43203	7-28	45486	7-26
43204	7-22	45487-1	7-26
43207	7-28	45487-3	7-26
43242	7-26	45487-4	7-26
43287	7-26	45488	7-26
43290	7-22	45528	7-26
43291	7-22	45628	8-8, 8-9, 8-10, 8-11, 8-14
43294	7-22	45779	7-14, 7-15, 7-16, 7-17, 7-18, 7-19
43295	7-22	45780	7-12
43299	7-22	45786	7-50
43317	7-22	45857	5-4, 5-8
43363	7-28	46033	5-24
43393	5-6	46034	5-24
43417	5-6	46077	5-18
43424	5-6	46080	5-18
43428	5-6	46080	5-4
43454	7-33	46132	5-22
43484	5-6	46137	5-22
43485	5-6	46147	5-22
43486	5-6	46231	5-54, 5-56
43487	5-6	46236	5-20, 5-48, 5-74, 7-26
43488	5-6	46276	7-28
43489	5-6		
43490	7-28		
43491	7-24		

CROSS REFERENCE

Part Number	Page Number	Part Number	Page Number
46311	5-28	48930	6-5, 6-8
46312	5-28	48988	5-22, 6-8
46313	5-28	49225	5-30
46347	5-24	49263	5-59, 5-60, 7-20
46390	7-8, 7-24	49266	5-52, 7-4, 7-12, 7-14, 7-15, 7-16, 7-17, 7-60
46442	7-24	49282	7-26
46443	7-24	49681	5-66, 5-68
46481	5-46	50332	5-52, 5-59
46567	7-8	50332-1	5-48
46585	6-5	50332-2	5-52
46595	5-18	50335	5-48
46596	5-18	50446	5-4, 6-4
46605	7-24	50493	5-65, 5-66
46642-1	7-24	50521	5-32
46642-2	7-24	50525	7-38
46688	7-28	50590	7-38
46820	7-56	50902	7-60
46847	7-26	51109	5-26
46938	7-43	51176	5-58, 5-68, 5-70
47010-1	5-28	51321-3	5-10, 5-14
47010-2	5-28	51322	5-10, 5-12
47010-3	5-28	51391	5-33
47010-4	5-28	51407	5-38
47010-5	5-28	51449	5-28
47010-6	5-28	51452	5-33
47010-7	5-28	51545	5-26
47011	5-28	51560-3	5-63, 5-64
47037	5-4	51562	5-26
47094	5-26	51570	7-12
47178-11	5-54, 5-56	51727	6-12, 7-20
47178-13	7-24	51754	7-60
47178-2	5-18	51768A	6-4
47178-3	5-18	51787	5-16
47280	7-6	51805	5-48, 5-50
47475	7-28	51839	5-59, 5-60
47477	7-6	51881	5-35
47501	5-6	52402	6-17
47508	5-24, 5-44	52929	5-42, 5-43
47525	5-30, 7-23	53052	5-4, 5-8
47566	5-74	53143	5-8
47591	5-20, 7-38	53182	5-33
47692	5-16	53298	5-4, 5-8
47713-1	7-6	53351A	5-65, 5-66
47713-2	7-6	53352	5-65, 5-66
47713-3	7-6	53368	7-28
47714	7-6	53386	5-68
47715	7-6	53400-1	5-54, 5-56
47719	5-30	53400-4	5-54, 5-56
47752	5-42, 5-43	53461-1	5-4, 5-18
47795-1	7-20, 7-26	53461-2	5-4, 5-18
47801	5-22, 5-30, 6-8	53462	5-18
47974	7-28	53465-2	5-8
48050-1	5-28	53481	5-28
48060	5-4, 5-18	53489	5-4, 5-8
48062	5-24	53531-2	5-68
48062-1	7-22, 7-47	53640	7-50
48252	7-4	53697	5-18, 7-38
48267	7-40	53758	5-4, 6-6
48927	6-6		
48928	6-6		

CROSS REFERENCE

Part Number	Page Number	Part Number	Page Number
53816	7-49	55662	6-13
53817	7-49	55667	5-28
53818	7-50	55686	5-42, 5-44, 6-17
53819	7-50	55740	5-4, 5-46
53819-1	7-50	55754	7-4
53819-2	7-50	55756	7-4
53848	7-11	55757	7-4
53876	5-33	55758	7-4
53899	6-14	55759	7-4
53906	5-4, 5-32	55761	7-4
53907	6-14	55906	8-4
53974	5-4, 5-8	55922	8-4
53985	5-32	55929	8-4
54009	7-36, 7-38	55930	8-4
54012	7-36, 7-38	55931	8-4
54121	5-20	55932	8-4
54159	5-28	55937	8-4
54230	5-48	55939	8-4
54274	5-14, 5-35	55975	5-59, 5-60
54275A	5-35	55998	5-59, 5-60
54333	5-50, 5-63, 5-64, 5-74, 7-26	56058	6-15
54338-6	5-4, 6-4	56060	6-15
54911-16	5-68, 5-70	56090	7-26
54911-25	5-50, 9-16	56092	7-26
54911-28	5-48	56119	7-26
54911-31	5-48	56489	7-28
54911-32	5-14	56690	5-43
54912-8	5-48	56692	7-24
54914	5-58, 5-62	56701	7-60
54930	5-59, 5-60	56799	5-18
54959	5-58, 5-62	56855	5-66, 5-68
55130	5-20	56976A	5-54, 5-56
55150	7-42	57064	8-6
55248	7-4, 7-12, 7-14, 7-15	57186	8-17
55258	5-36	57210	8-4
55271	7-12	57220	7-14, 7-15, 7-16, 7-17
55272	7-12	57283	8-13
55274	7-12	57298	5-16
55321	7-4	57370	8-7
55322	7-4	57373	8-7
55346	7-4	57374	8-7
55347	5-66, 5-68	57375	8-7
55349	7-4	57392	5-48
55368	7-4	57542	8-14
55369	7-4	57548	9-16
55393	7-4	57568	5-40
55394	7-4	57582	5-40
55395	7-4	57746	5-58
55396	7-4	57751	5-16, 7-62
55398	7-4	57772	5-36
55400	7-4	57773	5-68, 5-70
55429	7-4	57774	5-48, 5-52
55431	7-4	57778	5-37
55556	5-54, 5-56	57803	5-16
55557	5-36	57807	5-36, 7-12, 7-14, 7-15, 7-16, 7-17, 7-18, 7-19, 7-31, 7-62
55586	5-32	57875	5-66, 5-68
55619	5-46	57925	5-30
55633	5-54, 5-56	57934	5-48, 5-52
55653	5-54, 5-56		

CROSS REFERENCE

Part Number	Page Number	Part Number	Page Number
57984	5-24, 5-44	69173	7-60
57988	5-47, 6-17	69207	7-28
57994	5-42	69266	5-71
58120	5-4, 5-63, 5-64	69365-3	5-26
58121	7-32	69459	7-20
58122	5-4, 9-12	69462	5-14, 5-65, 5-66
58279	7-20	69582	5-26
58346	5-63, 5-64	72025-S7	9-8, 10-8
58366	5-10, 5-12, 5-42, 5-45	72432-S	9-12, 10-12
58395	5-42	75118	7-54
58476	5-20	75365	5-30, 7-23
58482	5-20	75423	7-38
58483	5-20	76316	5-42, 5-43
58494	5-16	76589-2	5-50
58507	5-4, 9-18	76736	5-68
58518	7-15, 7-17, 7-19	77006	5-47, 7-24
58519	7-15, 7-17, 7-19	77097	5-22, 5-30, 5-35, 7-24
58520	7-15	77101	5-35, 8-12
58520	7-17, 7-19	78122	5-56
58538	5-63, 5-64	78143	5-46
58555	5-58	79273-4	7-26
58591	5-36	82046	5-40
58592	5-48, 5-50	82048	5-4
58670	5-18	82049	5-4
58846	5-52	82058	5-4
58974	7-4	82059	5-4
59156	7-20	82062	7-16, 7-17
59633	5-26	82063	7-15, 7-17, 7-19
60013	5-4, 7-22	82064	7-16
61110	5-34, 5-36, 7-4	82066	7-14
62039	7-4	82068	7-18
62170-4	7-26	82070	7-17
62172	5-44, 5-45, 7-56	82072	7-15
62173	5-44, 5-45, 7-56	82074	7-19
62378	5-10	82079	7-8
62390	5-45	82081	7-8
62530-1	5-36	82082	7-8
62550	5-44, 8-15	82084	5-34
62595-11	7-42	82092	5-34
62595-2	7-42	82125	5-4, 5-8, 5-24, 5-33
62615	5-34	82138	6-4
63030	7-20	82163	5-4, 5-8
63147	7-20	82164	5-4, 5-8
63810	5-10, 5-50, 5-59, 5-60	82165	5-4, 5-8
64533	5-16	82168	6-5
64595	5-16	82169	5-32
64903	5-34	82186	6-4
64991	5-66, 5-68	82189	6-12
65084-1	5-47, 7-8, 7-24	82190	5-8
65084-2	5-47, 7-24	82191	5-22
65145-1	5-42	82193	6-4
67004	7-30, 7-36, 7-38	82194	6-8
67555-S	9-18	82195	7-45
67815	5-71	82196	7-45
68000	5-71	82200	7-14, 7-16, 7-18
68106	5-48, 5-50, 5-54, 5-60, 7-20	82201	5-28
68275	5-10, 5-12	82205	5-42, 8-6
68598	7-60	82215	5-68
68853	7-20	82218	5-26
		82219	6-15

CROSS REFERENCE

Part Number	Page Number	Part Number	Page Number
82225	5-30, 7-23	82378	5-16
82226	5-26, 6-15	82379	5-16
82227	5-26, 6-15	82380	7-45
82229	5-28	82381	7-45
82230	6-15	82382	7-45
82232	6-15	82385	5-34
82234	5-16	82386	5-35
82238	6-15	82393	6-4
82239	5-30	82394	6-4
82240	5-26	82396	5-35
82244	5-26	82414	7-36
82245	5-30, 7-23	82415	5-4, 5-20
82254	5-26	82416	5-4, 5-20
82255	5-26	82419	7-36
82258	5-65, 5-66	82421	6-6
82260	5-66, 5-68	82423	6-6
82268	5-35	82424	5-4, 5-35
82270	7-38	82425	5-4, 6-4
82272	6-13	82437	7-36
82273	6-13	82439	7-36
82275	7-38	82451	6-10
82280	7-38	82452	5-20, 6-10
82283	7-38	82453	5-20
82284	7-38	82455	5-20
82288	7-38	82457	5-20, 7-54
82292	7-38	82458	7-36
82296	7-36	82459	7-36
82297	7-36	82460	5-20
82299	5-36	82461	5-20
82300	5-10, 5-12	82465	5-20
82310	5-10, 5-12	82466	5-4, 5-18
82311	5-10, 5-12	82467	5-18
82313	5-10, 5-12	82468	5-18
82314	5-10, 5-12	82469	5-18
82315	5-10, 5-12, 7-36, 7-38	82471	5-20
82316	5-10	82472	5-20
82319	5-16	82475	5-20
82320	5-10	82476	6-6
82321	5-10, 5-12	82477	6-6
82324	5-16	82480	5-35
82333	8-6	82483	6-6
82334	5-16	82500	6-6
82338	5-16	82501	6-6
82340	5-54	82504	5-20
82342	5-10, 5-12	82506	7-24
82343	7-44	82514	5-20
82346	5-10, 5-12	82517	5-68, 5-70
82348	5-16	82519	5-68
82350	5-16	82520	5-68
82351	5-16	82524	5-74
82352	5-16	82525	5-4, 5-48, 5-52
82353	5-34	82526	5-48, 5-52
82354	5-34	82533	5-63, 5-64
82360	5-34	82534	5-48
82362	5-34	82537	5-58, 5-62
82363	5-34	82544	5-48, 5-52
82368	5-35	82545	5-72, 5-73
82375	7-36	82552	5-63
82376	7-36	82555	5-63
82377	5-16	82576	7-36

CROSS REFERENCE

Part Number	Page Number	Part Number	Page Number
82590	7-28	82814	5-40
82595	7-12	82815	6-16
82599	7-26	82816	6-16
82610	6-8	82817	6-16
82611	6-8	82819	5-40
82620	5-47	82821	5-40
82621	5-47	82822	5-40
82637	7-12	82823	5-40
82648	7-24	82826	5-40
82652	7-44	82829	5-22, 5-24
82661	5-10, 5-35, 5-72, 5-73, 7-45	82830	5-40
82662	5-10	82833	5-40
82669	5-71	82834	6-16
82676	5-63, 5-64	82836	5-65, 5-66
82677	5-71	82837	5-43
82681	5-10	82838	5-43
82683	5-54, 5-56	82839	5-65, 5-66
82685	5-63, 5-64	82840	5-40
82688	7-51	82842	5-42, 5-66, 5-68
82697	5-4, 9-18	82887	7-26
82707	7-12	82888	7-28
82709	5-37	82891	7-28
82710	5-37	82893	7-24
82723	5-38	82907	7-4
82725	7-12	82912	7-4
82727	5-36	82917	7-4
82728	5-74	82918	5-47, 7-24
82730	5-74	82921	7-4
82733	5-35	82922	7-41
82735	7-12	82924	7-49
82738	7-16, 7-17	82939	7-28
82739	7-33	82941	5-71
82740	5-75	82949	7-26
82741	5-4	82957	7-28
82747	5-36	82958	7-28
82748	5-65, 5-66	82959	7-28
82754	5-45, 8-17	82964	7-28
82757	6-11, 8-19	82967	7-28
82762	5-44, 6-17	82978	7-36
82764	5-42	82992	7-44
82767	5-42	82994	7-40
82768	5-10	82998	7-42
82776	6-4	87056	7-54
82777	6-4	87298	7-54
82779	5-43	87536	5-36
82780	5-43	87579	5-18, 7-54
82784	5-43	87631	5-32
82793	5-65, 5-66	87663	8-10
82795	5-45	87837-S	9-6, 9-14, 10-6
82797	5-30	87866	5-36
82798	5-10, 5-12	116106-ES10	9-8, 10-8
82799	5-4, 5-8	116336-ES100	9-10, 10-10
82802	5-22	116682-ES	9-12, 10-12
82803	5-40	118297-ES8	9-4, 10-4
82805	5-40	120907-ES8	9-14
82806	5-40	353055-S7	9-6, 10-6
82808	6-16	377665-S7-8	9-14
82809	5-40	388156-GS	9-22
82810	5-40		